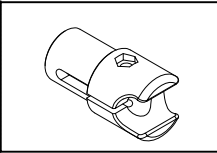
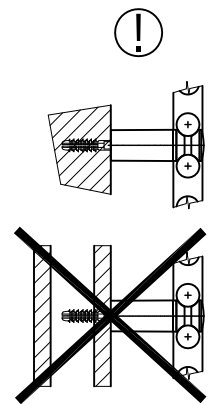
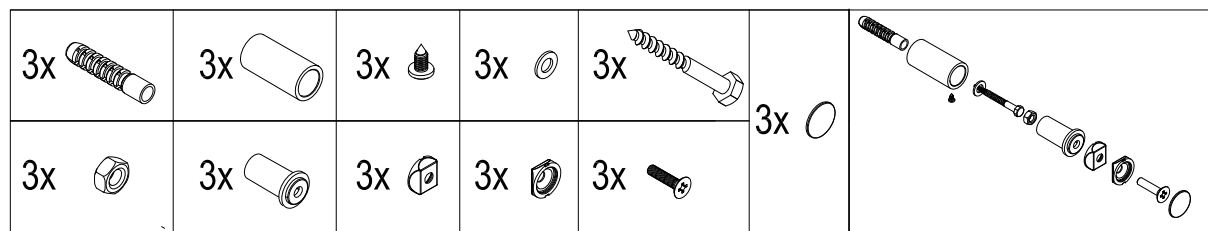
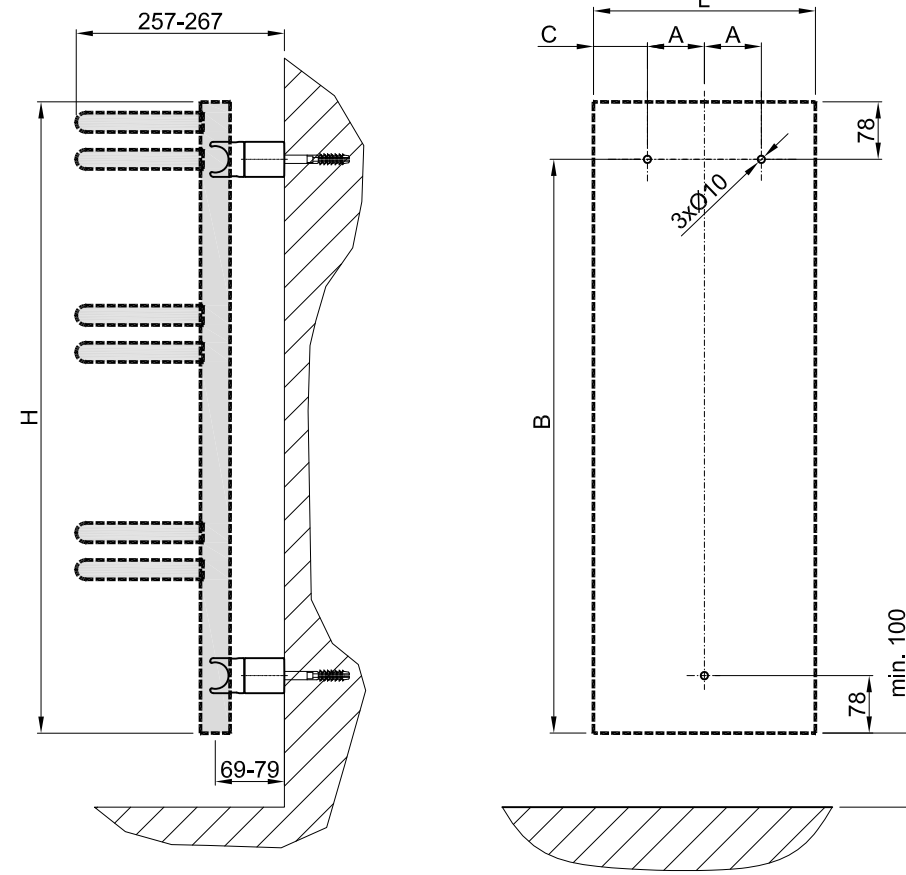
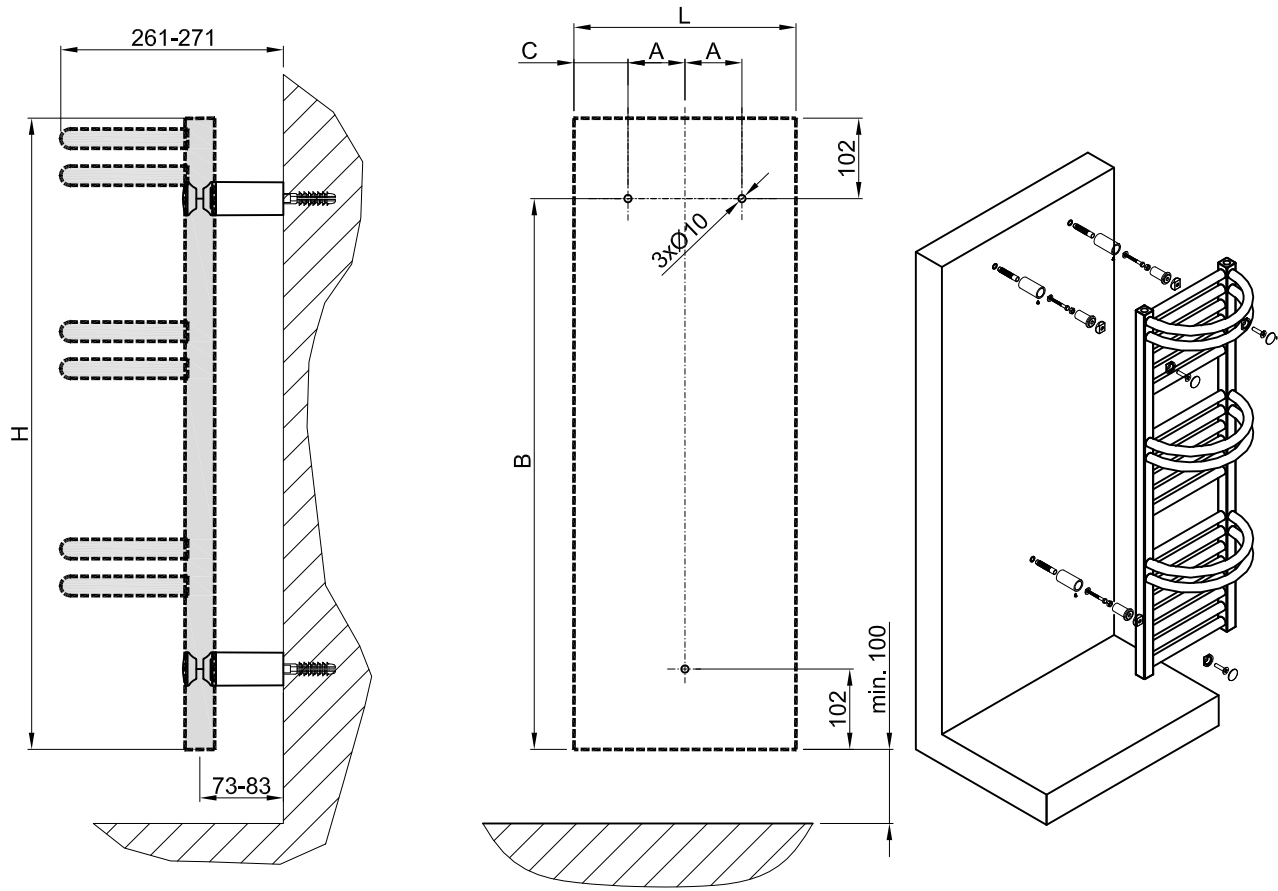


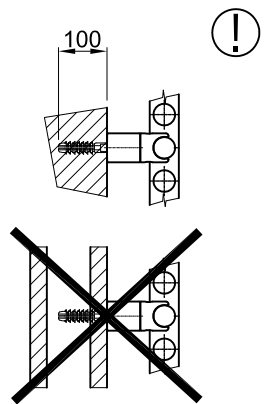
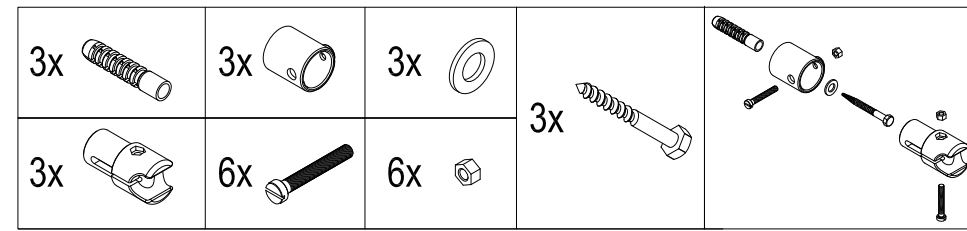
SULIA



SULIA



H/L [mm]	A [mm]	B [mm]	C [mm]
1205/350	95	1103	80



H/L [mm]	A [mm]	B [mm]	C [mm]
1205/350	95	1127	80