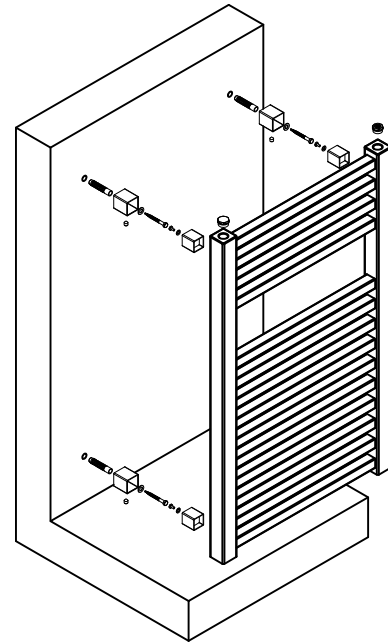
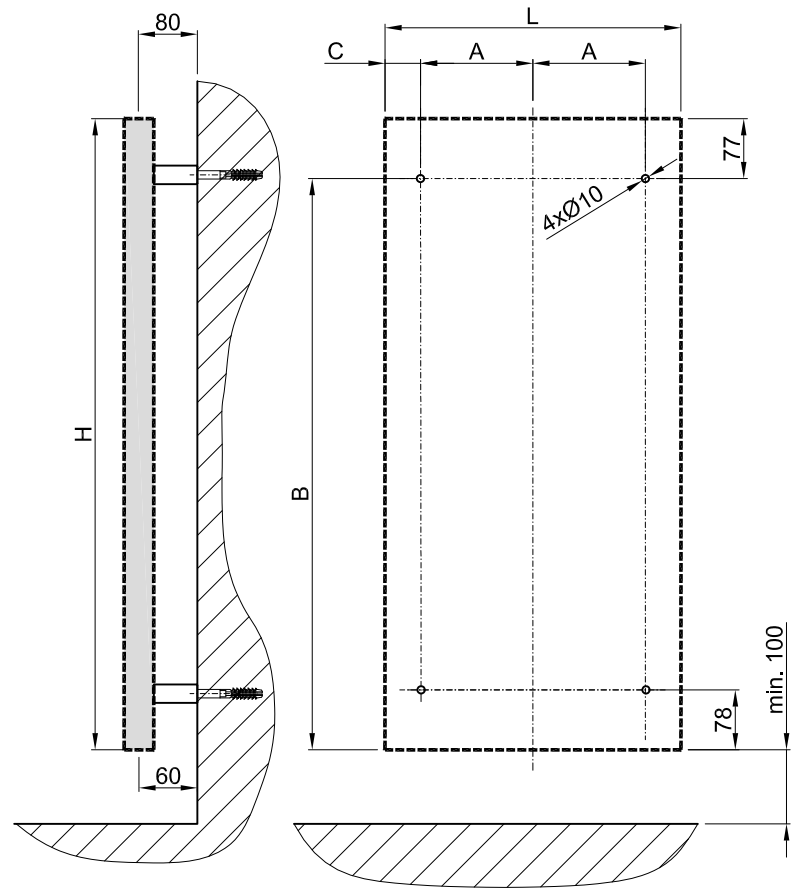
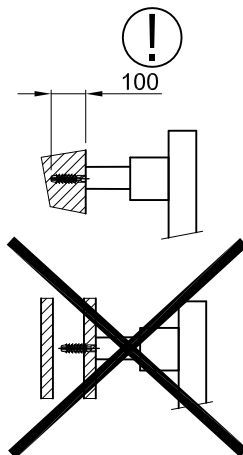


# QUADRAT

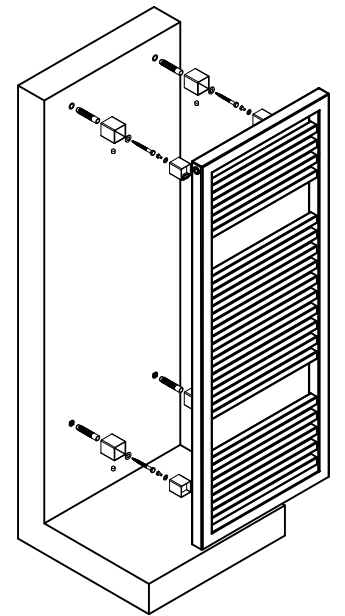
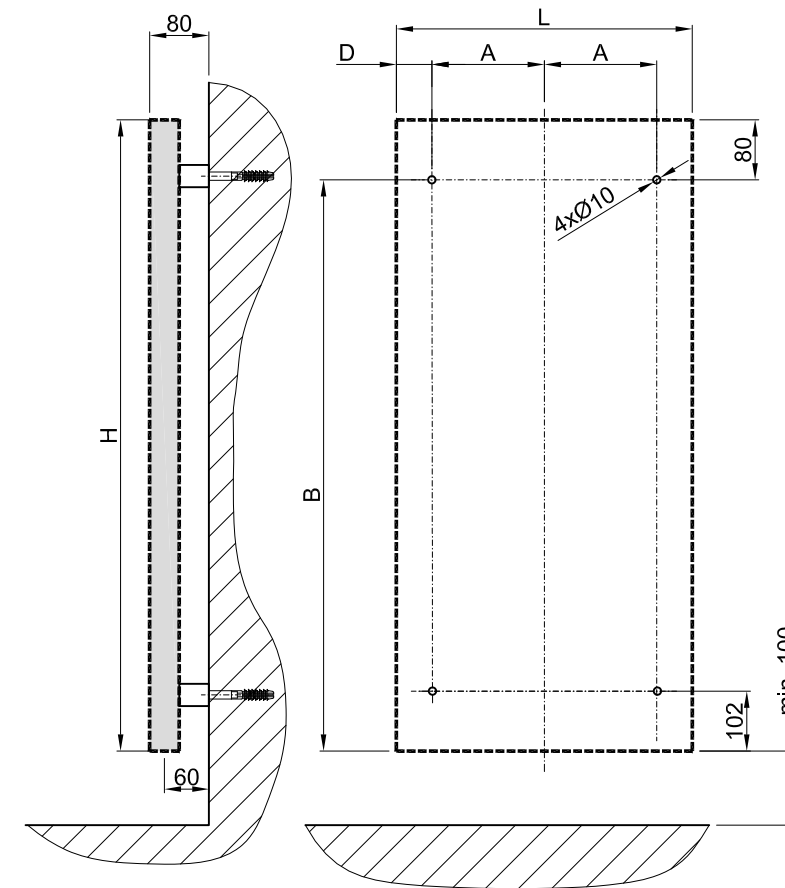


4x		4x		4x		4x	
4x		4x		4x		4x	

H/L [mm]	A [mm]	B [mm]	C [mm]
1255/500	230	1178	20
1255/600	280	1178	20
1755/500	230	1678	20
1755/600	280	1678	20



# QUADRAT PLUS



4x		4x		4x		4x	
4x		4x		4x		4x	

H/L [mm]	A [mm]	B [mm]	C [mm]	D [mm]
1245/600	220	1771	57	112,5
1745/600	220	1771	-19	112

