

# FINO



Elegant and stylish supply air diffuser FINO is suitable for low airflows.

# FINO

The protruding part of the flush-mounted FINO is the lowest in the Climecon range.

Its clear, simple design fits in well with modern interior styles while allowing virtually limitless possibilities in more traditional environments.

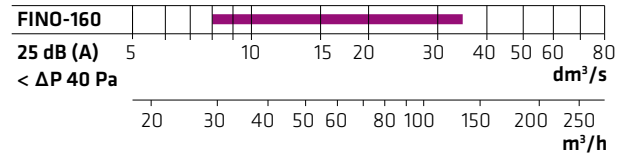
Fire safety is an important property in ventilation terminal devices. All Climecon products are made of sheet steel, making them as safe in a fire as possible. Thanks to the sheet steel structure, FINO does not burn, which improves fire safety and increases evacuation time by limiting the uncontrolled spreading of combustion gases from one room to another.

# FINO

The variety of colour options allow you to either blend **FINO** in the room's interior design or highlighting it as a technical detail. FINO has a good mixing ratio and reliable measurement combined with quick and precise adjustment. Note! FINO duct connection Ø160.



## Quick Guide



## Colours

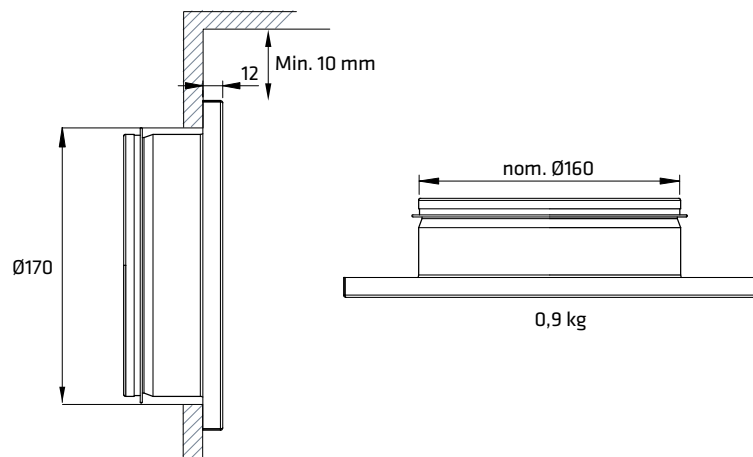
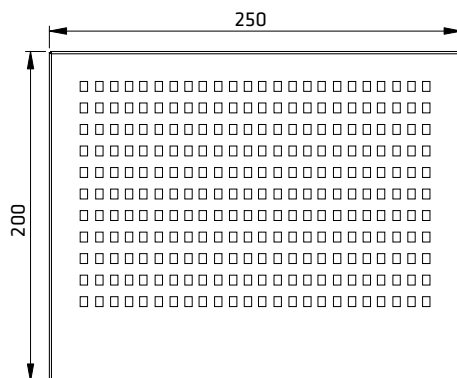
Standard colour:



Also available in these colours:



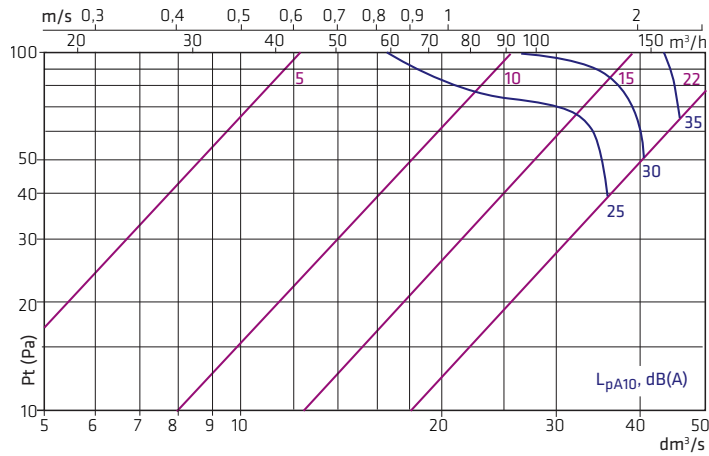
## Dimensions



## Dimensioning

The graphs are not intended for adjustment.

### FINO-160

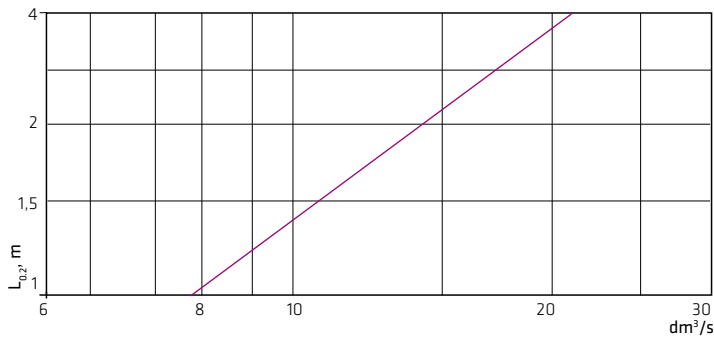


$L_{w\text{okt}} = L_{pA10} + K$

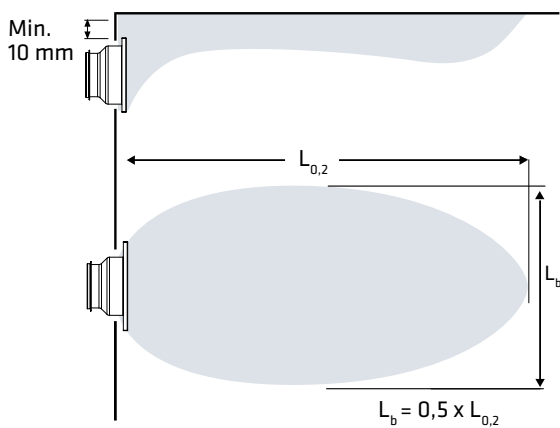
|       |     |     |     |     |    |    |    |     |
|-------|-----|-----|-----|-----|----|----|----|-----|
| f, Hz | 63  | 125 | 250 | 500 | 1k | 2k | 4k | 8k  |
| K, dB | -15 | -14 | -8  | -4  | -1 | -1 | -9 | -10 |

|                 |    |     |     |     |    |    |    |    |
|-----------------|----|-----|-----|-----|----|----|----|----|
| $\Delta L$ (dB) |    |     |     |     |    |    |    |    |
| f, Hz           | 63 | 125 | 250 | 500 | 1k | 2k | 4k | 8k |
| $\Delta L$ , dB | 18 | 12  | 7   | 2   | 0  | 2  | 1  | 2  |

### Throw length



### Throw pattern



### Airborne sound insulation

Sound attenuation for air ducts between rooms  $D_{n,e,w}$  dB

Supply air

| Size | FINO | FINO+VAL | FINO+VAM |
|------|------|----------|----------|
| 160  | 41   | 59       | 60       |

VAL is a dampening box with angular air flow.  
VAM is a dampening box with straight-through air flow.

### Sound attenuation

Sound level will increase if cover distance is below  $3 \times \varnothing d$ :

- after bend +4 dB (A)
- after T joint +8 dB (A)

