



ADA

Air curtain for air conditioned premises

Recommended installation height 2,5 m*

ADA is suitable to use, for example, to keep the cold air inside air conditioned premises. The air curtain creates an air barrier that prevents the intrusion of warm air and also insects, exhaust fumes, smoke, dust, etc.

- Built-in switch; high/low speed.
- Compact and easily positioned.
- Easy installation with 1,8 m cable and plug.
- Corrosion proof housing made of hot zinc-plate and powder enamelled steel panels. Colour: white, RAL 9016, NCS S 0500-N.



Optimized airflow with Thermozone technology.

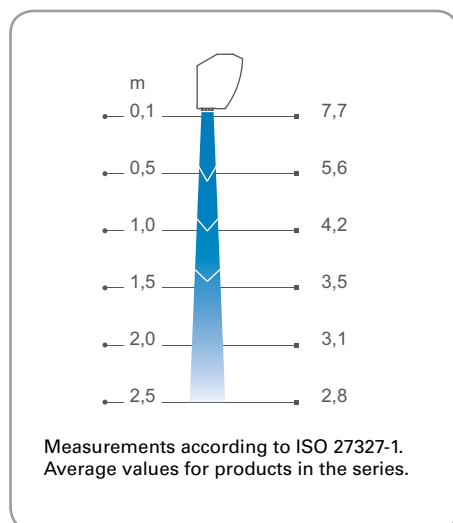
✿ Ambient, no heat - ADA (IP21)

Type	Output [kW]	Airflow [m³/h]	Sound power* ¹ [dB(A)]	Sound pressure* ² [dB(A)]	Voltage [V]	Amperage [A]	Length [mm]	Weight [kg]
ADA090H	0	800/1150	70	43/54	230V~	0,50	900	9,5
ADA120H	0	1100/1400	67	44/51	230V~	0,55	1200	11,7

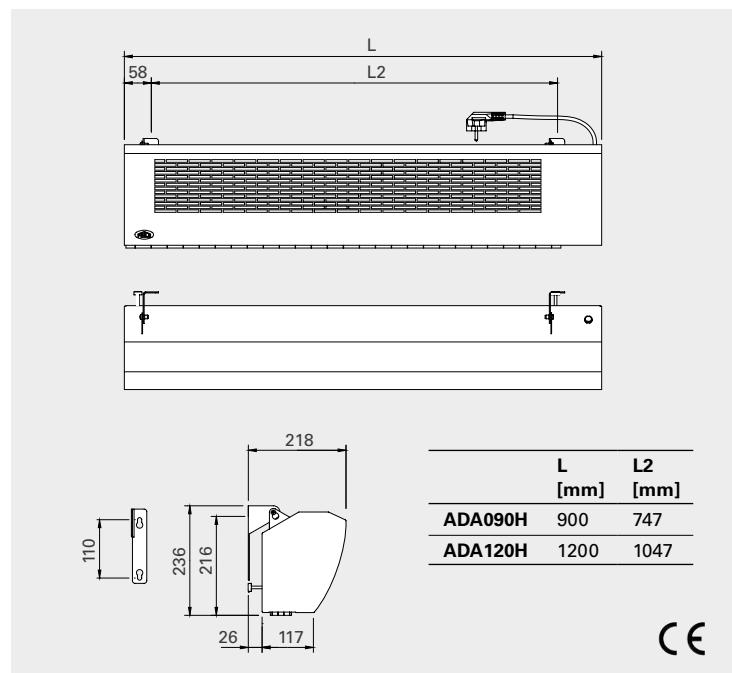
*¹) Sound power (L_{WA}) measurements according to ISO 27327-2: 2014, Installation type E.

*²) Sound pressure (L_{pA}). Conditions: Distance to the unit 5 metres. Directional factor: 2. Equivalent absorption area: 200 m². At lowest/highest airflow.

Air velocity profile



Dimensions



*) Recommended installation height varies depending on the relevant premises.