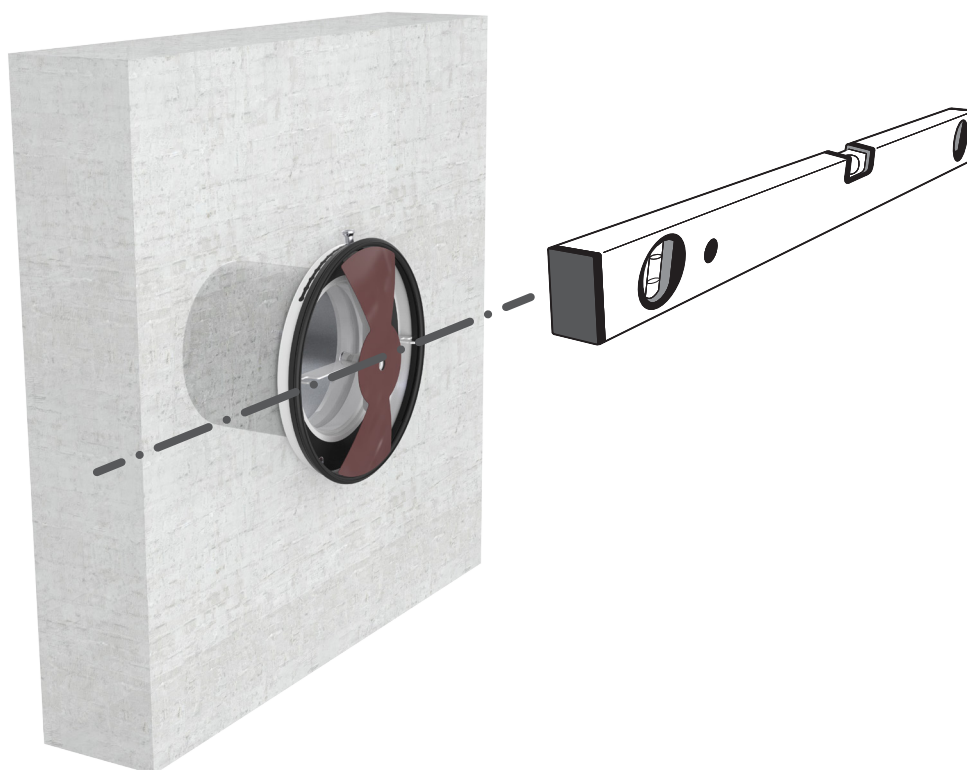
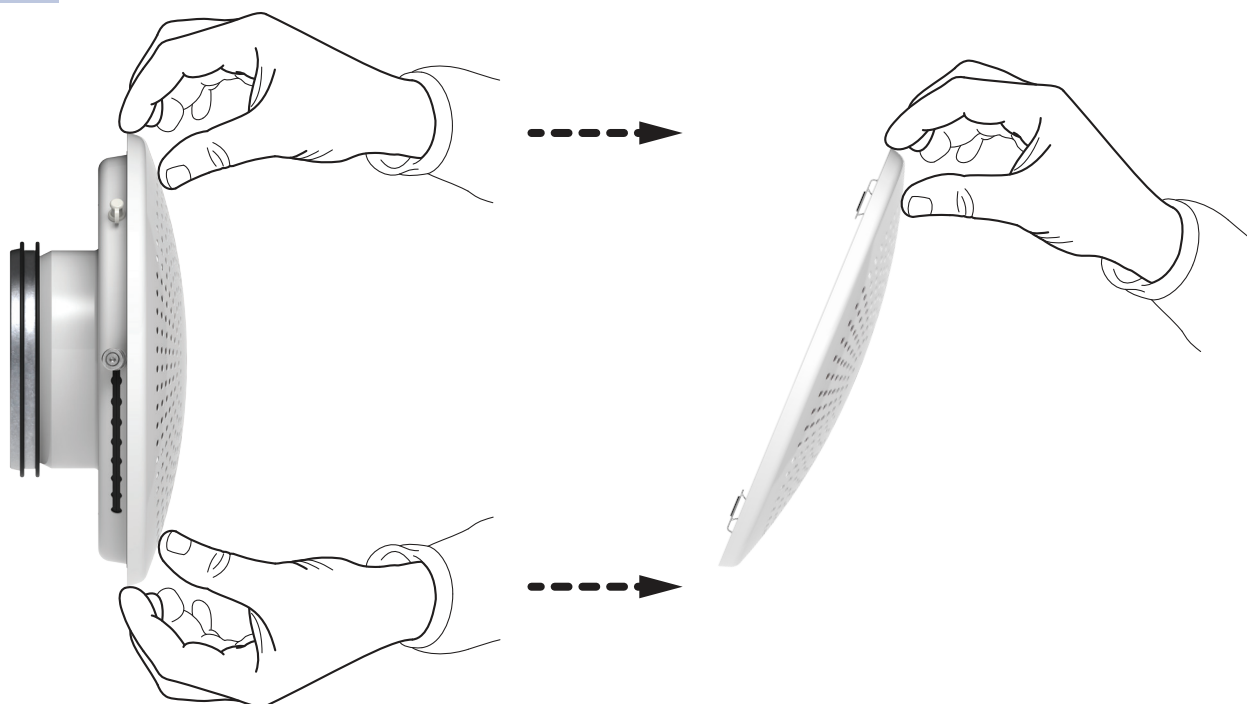


BOR-R

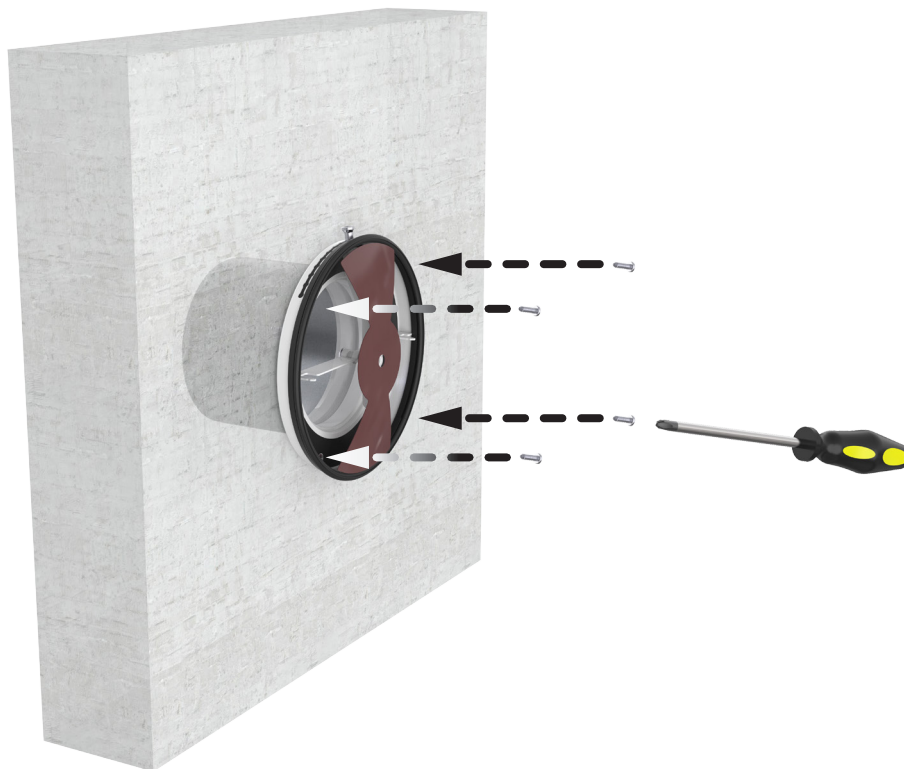
Installation, maintenance and operation instructions



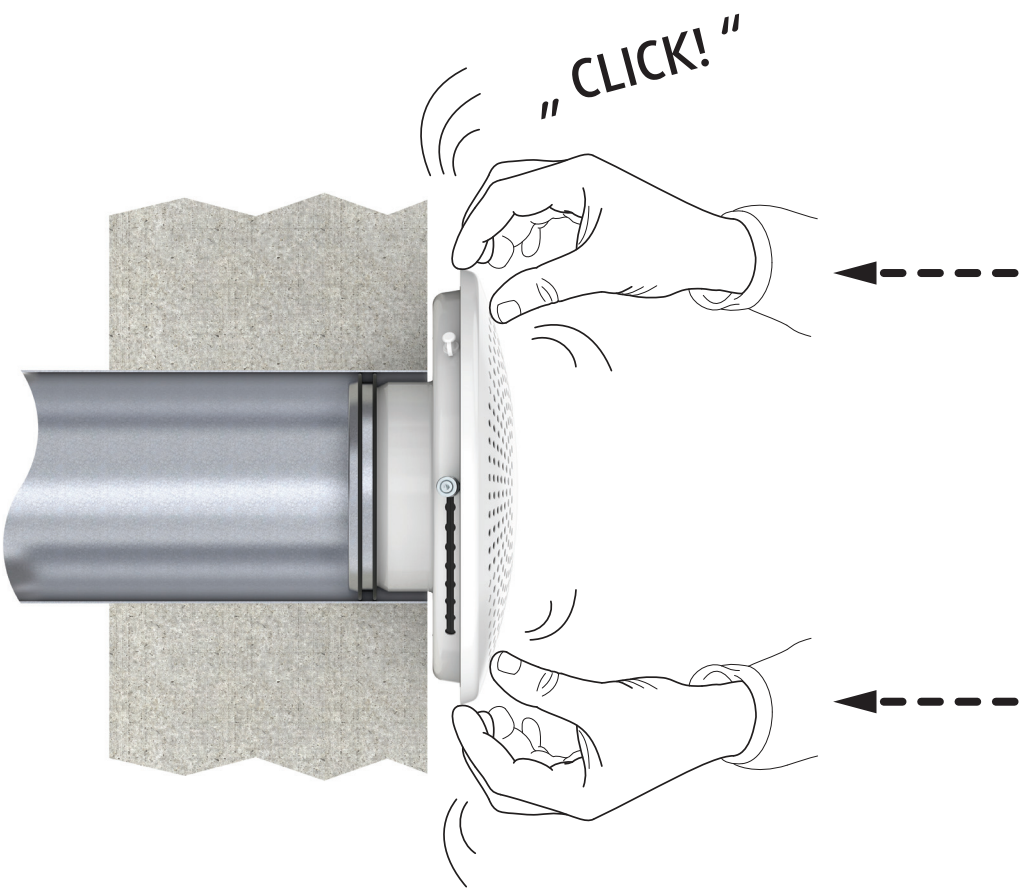
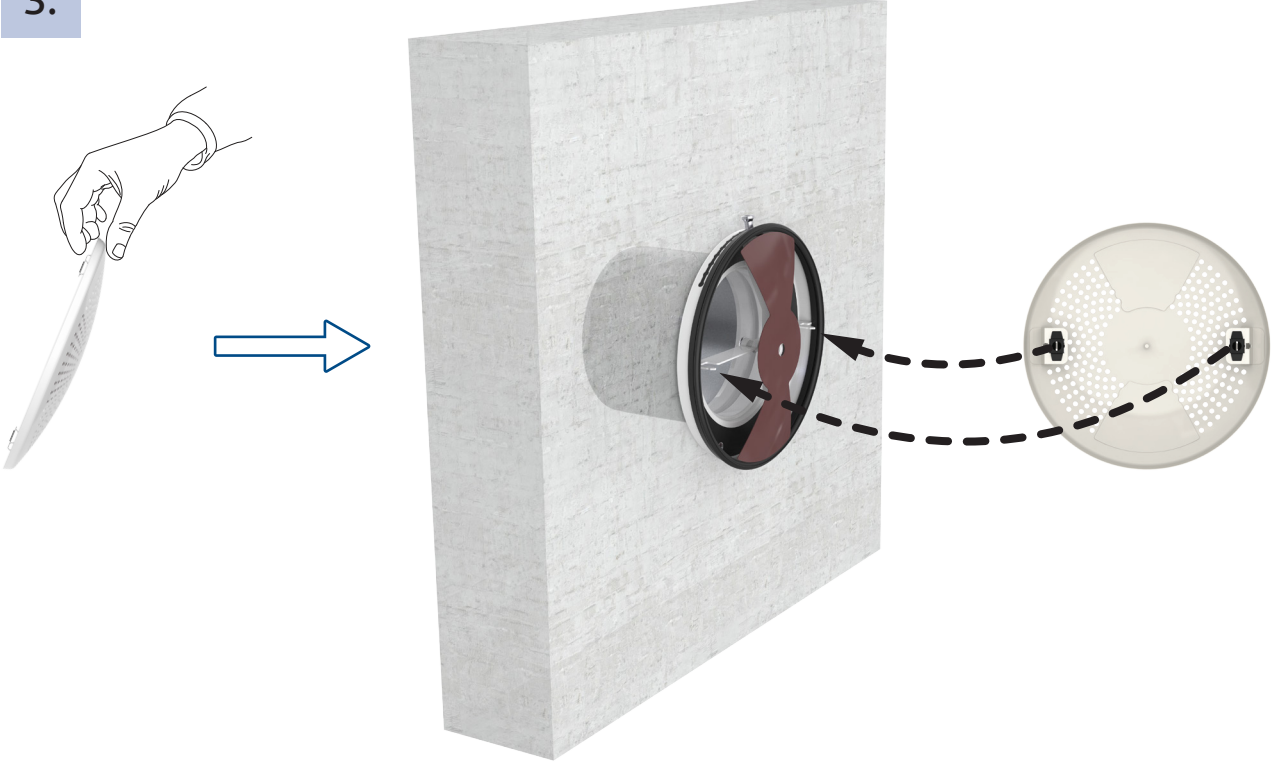
1.



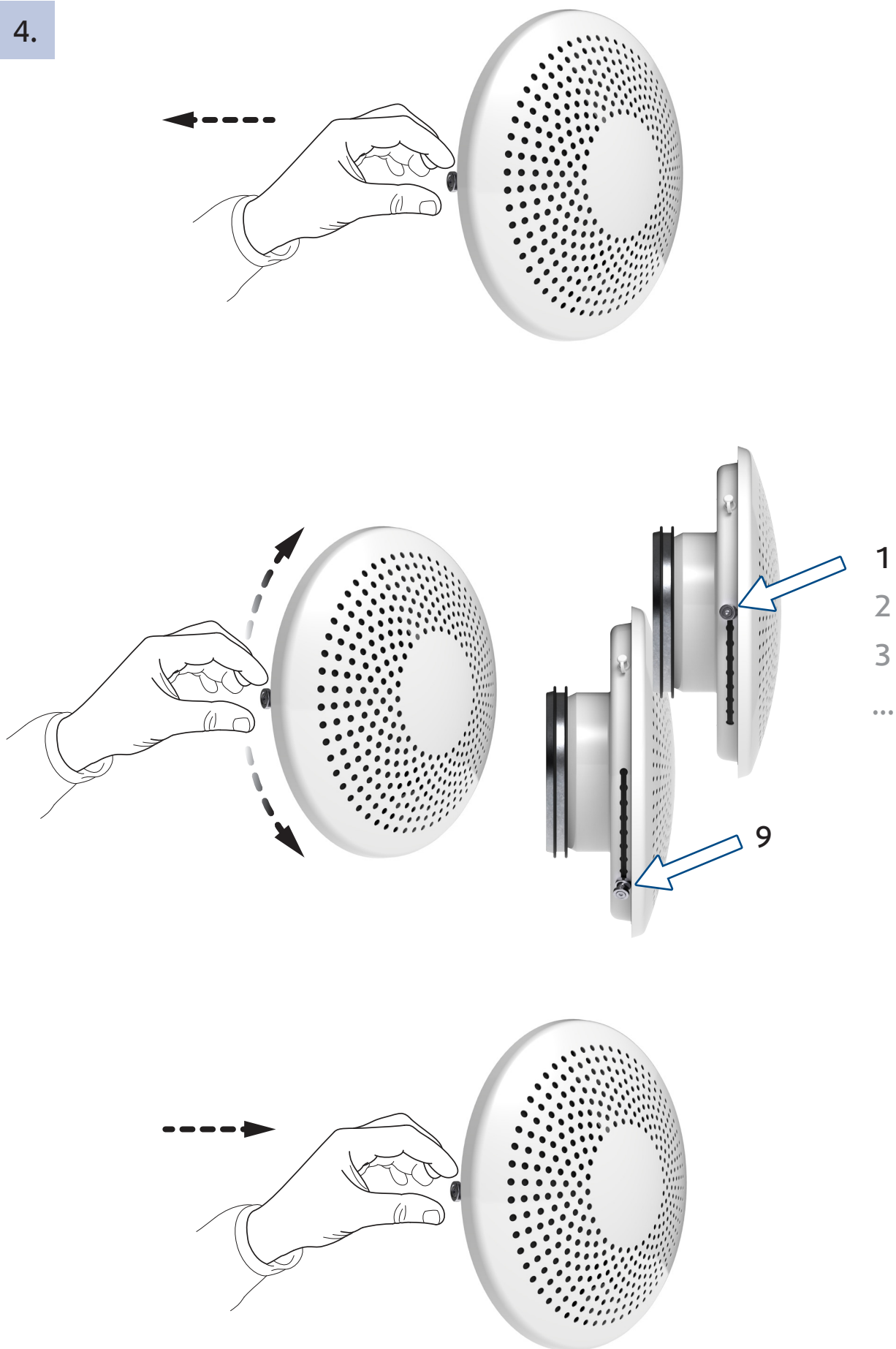
2.

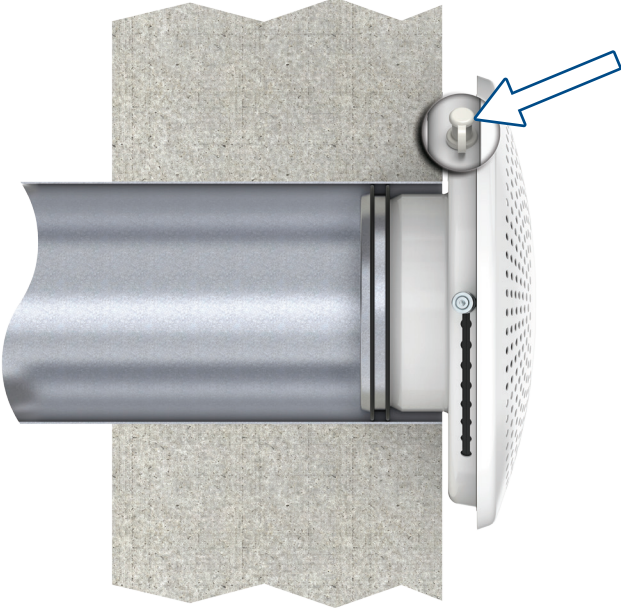
 $\varnothing 4 \text{ mm}$ 

3.



4.





k-factor (l/s)	BOR-R-100	BOR-R-125
Position 1	2,61	3,33
Position 2	2,48	3,16
Position 3	2,35	3,00
Position 4	2,21	2,83
Position 5	2,08	2,66
Position 6	1,95	2,49
Position 7	1,81	2,32
Position 8	1,68	2,15
Position 9	1,55	1,99

$$Q \text{ (l/s)} = k \cdot \sqrt{\Delta p} \text{ (Pa)}$$

k-factor (m ³ /h)	BOR-R-100	BOR-R-125
Position 1	9,40	12,00
Position 2	8,93	11,39
Position 3	8,45	10,79
Position 4	7,97	10,18
Position 5	7,49	9,57
Position 6	7,01	8,97
Position 7	6,53	8,36
Position 8	6,06	7,76
Position 9	5,58	7,15

$$Q \text{ (m}^3\text{/h)} = k \cdot \sqrt{\Delta p} \text{ (Pa)}$$

