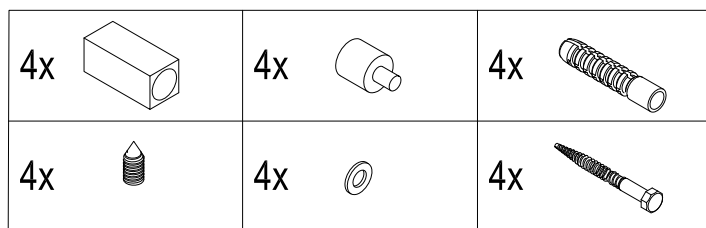
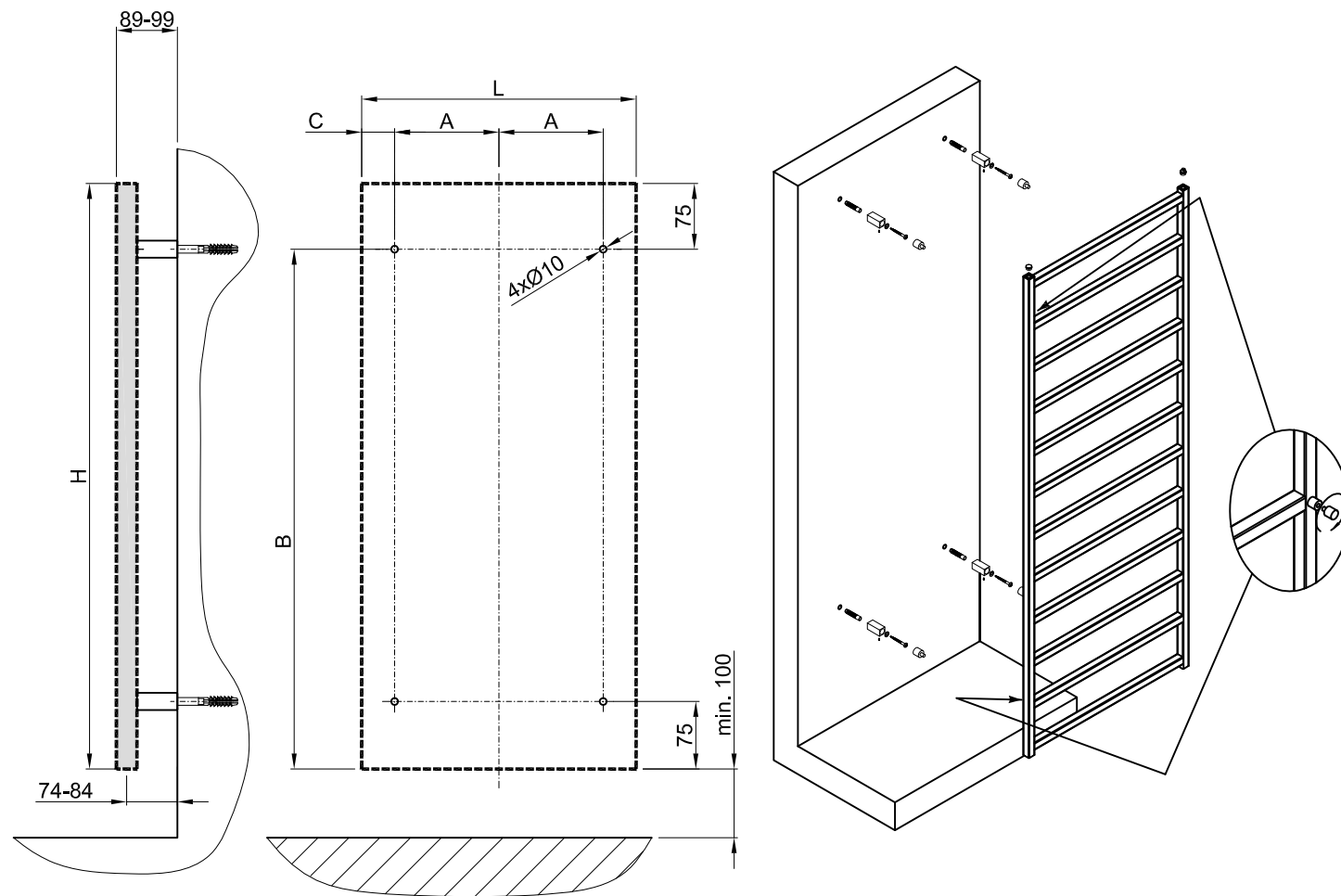
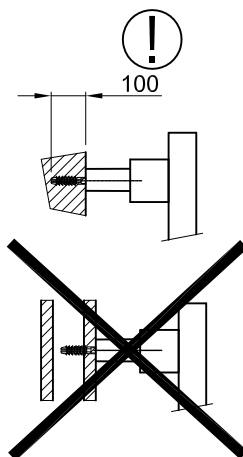


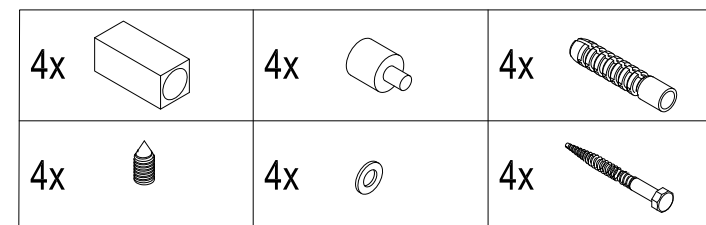
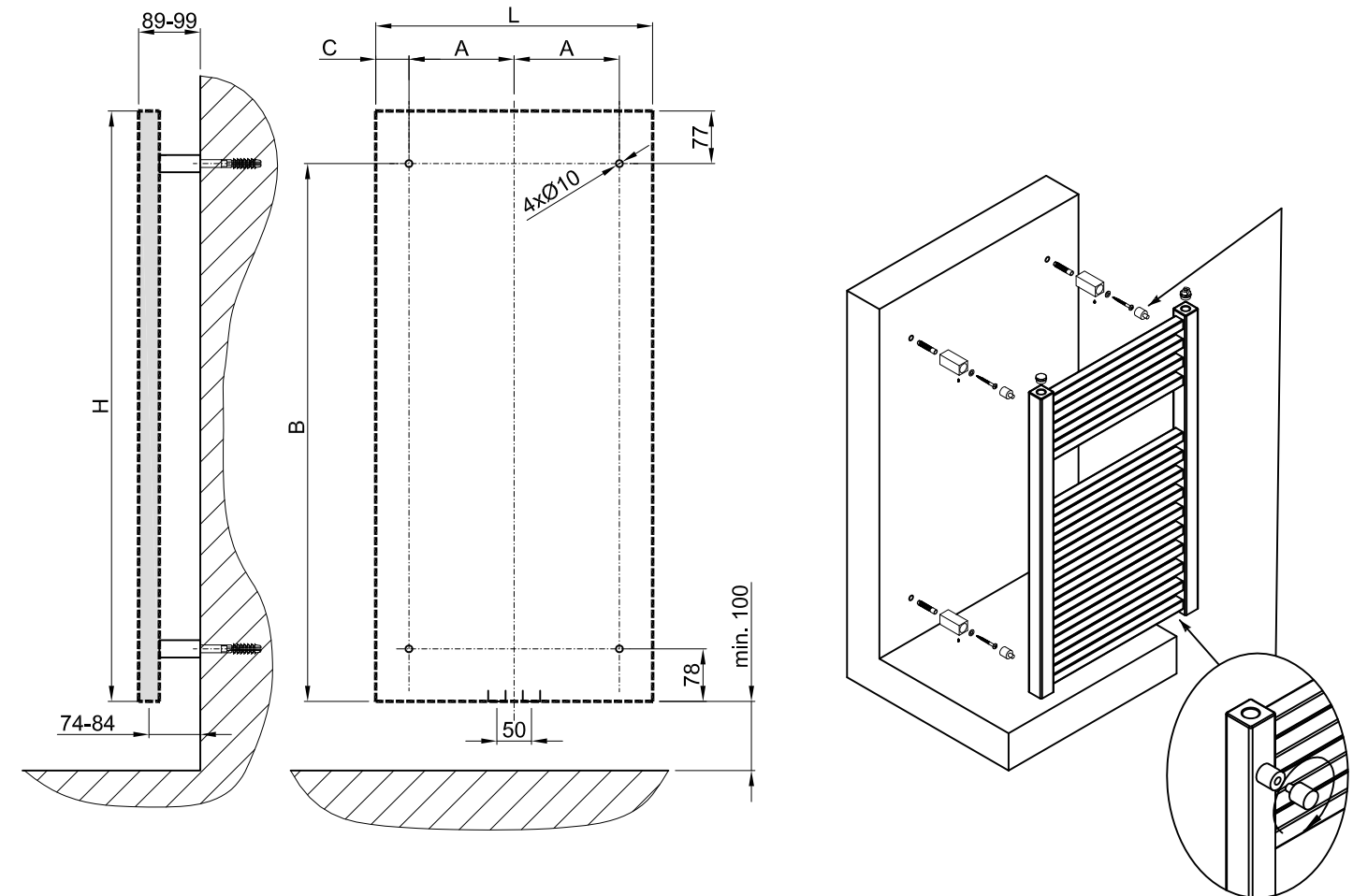
GRADDA INOX



H/L [mm]	A [mm]	B [mm]	C [mm]
1840/500	235	1640	15



QUADRAT INOX



H/L [mm]	A [mm]	B [mm]	C [mm]
805/600	285	728	15
1255/600	285	1178	15
1755/600	285	1778	15

