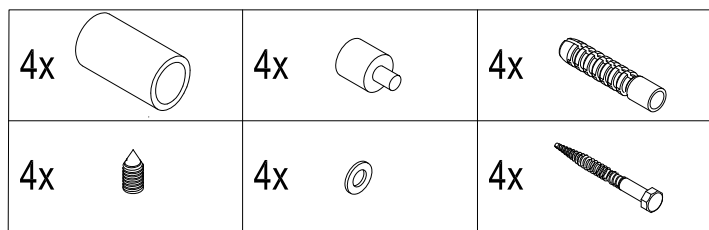
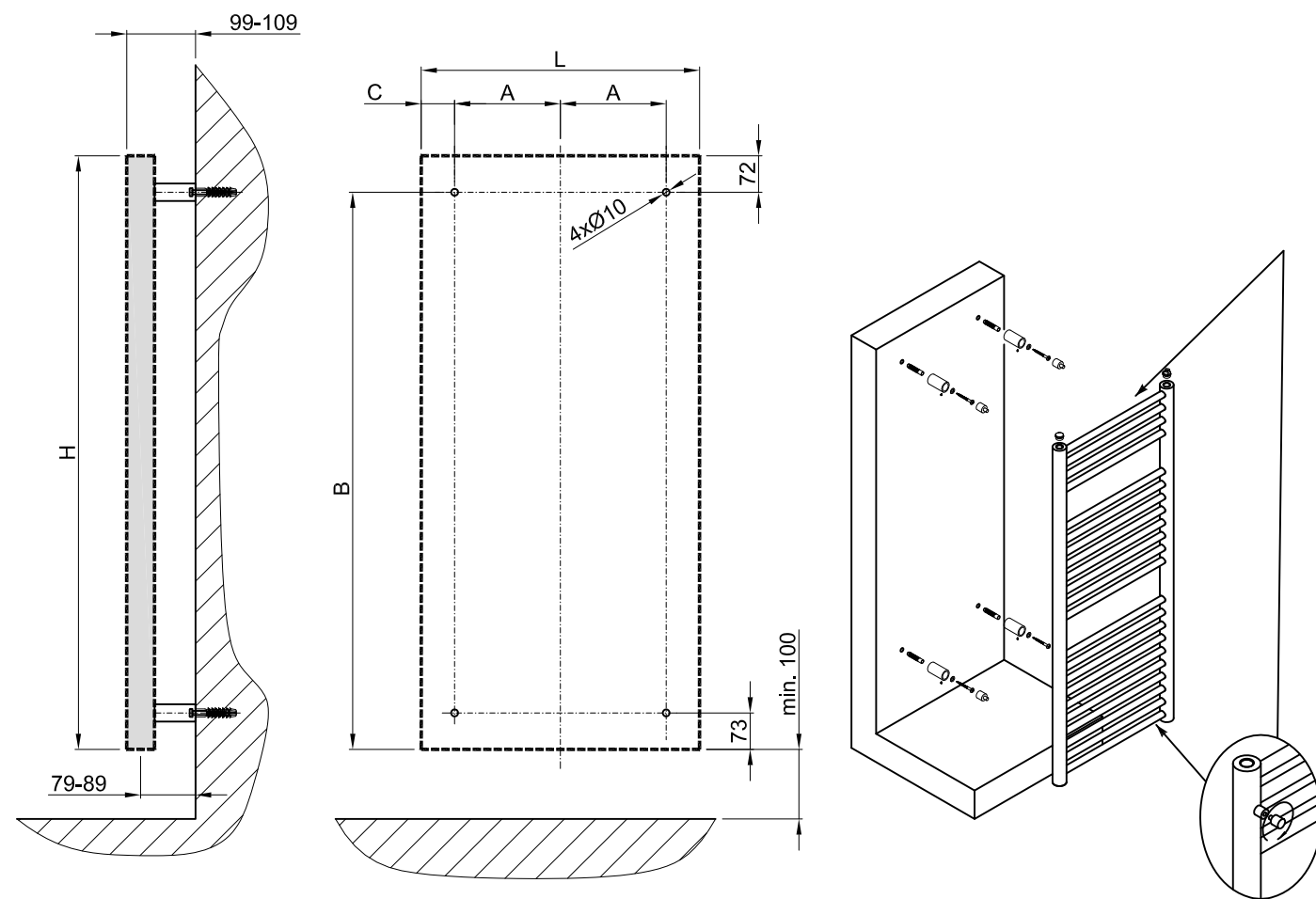
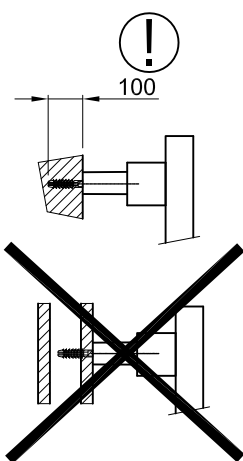


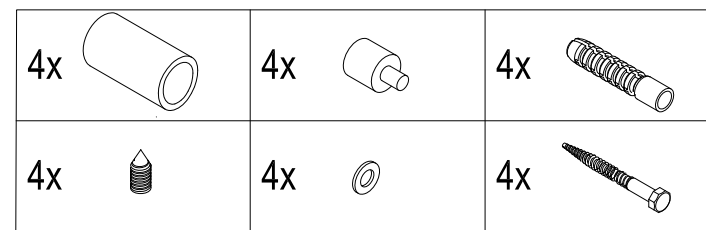
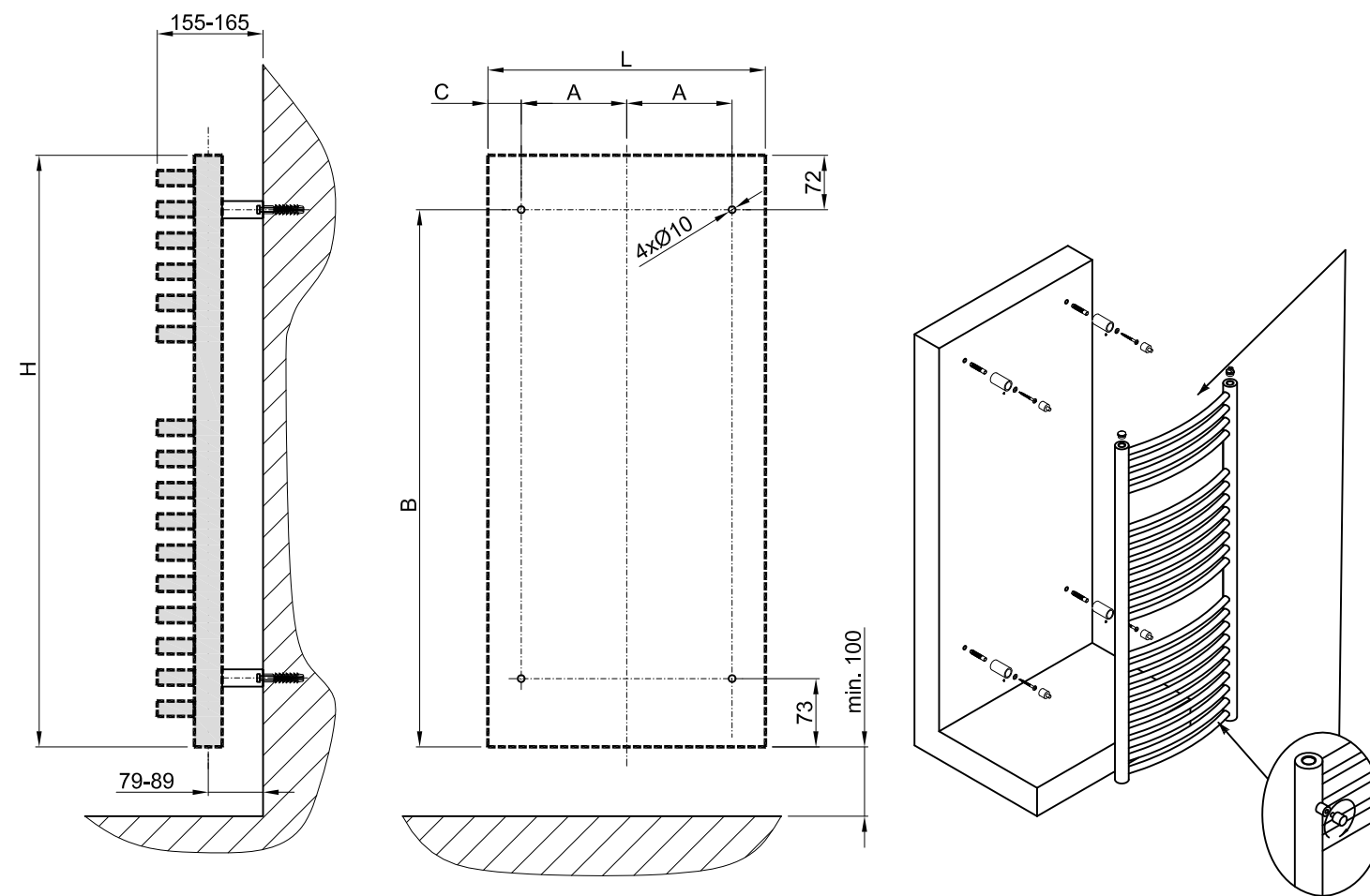
SILLA INOX



| H/L [mm] | A [mm] | B [mm] | C [mm] |
|----------|--------|---------|--------|
| 820/600 | 280 | 675+73 | 20 |
| 1180/600 | 280 | 1035+73 | 20 |
| 1765/600 | 280 | 1620+73 | 20 |



SILLA RADIUS INOX



| H/L [mm] | A [mm] | B [mm] | C [mm] |
|----------|--------|---------|--------|
| 820/600 | 280 | 675+73 | 20 |
| 1180/600 | 280 | 1035+73 | 20 |
| 1765/600 | 280 | 1620+73 | 20 |

