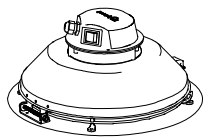
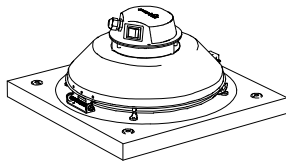
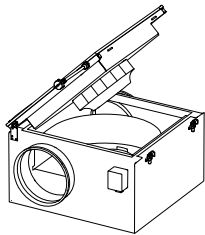
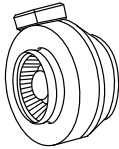
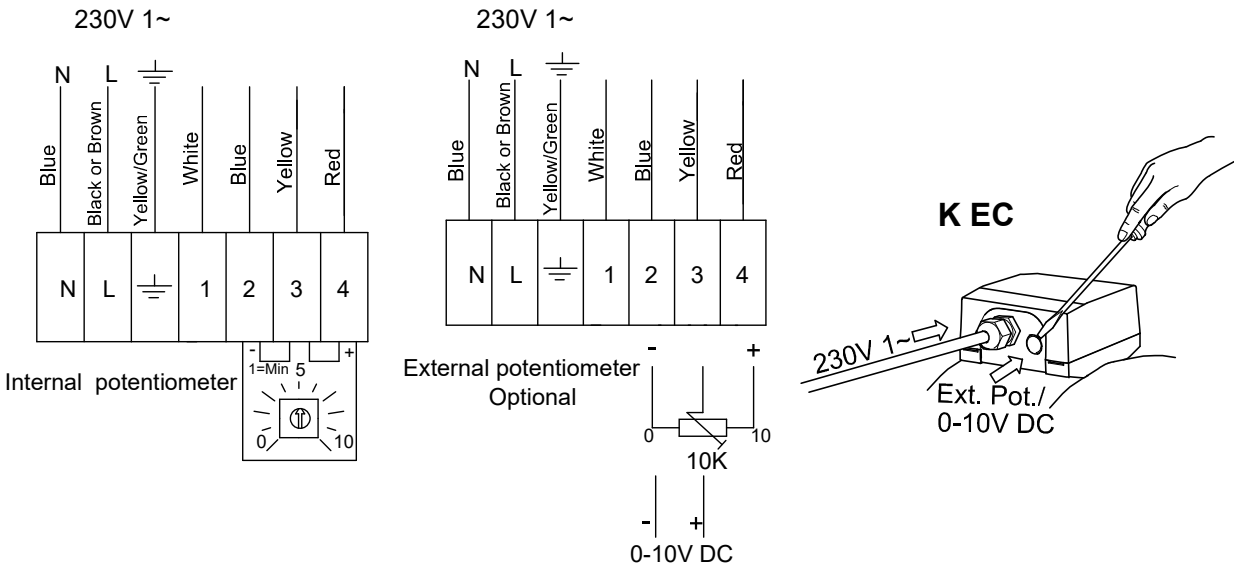


EC-fans

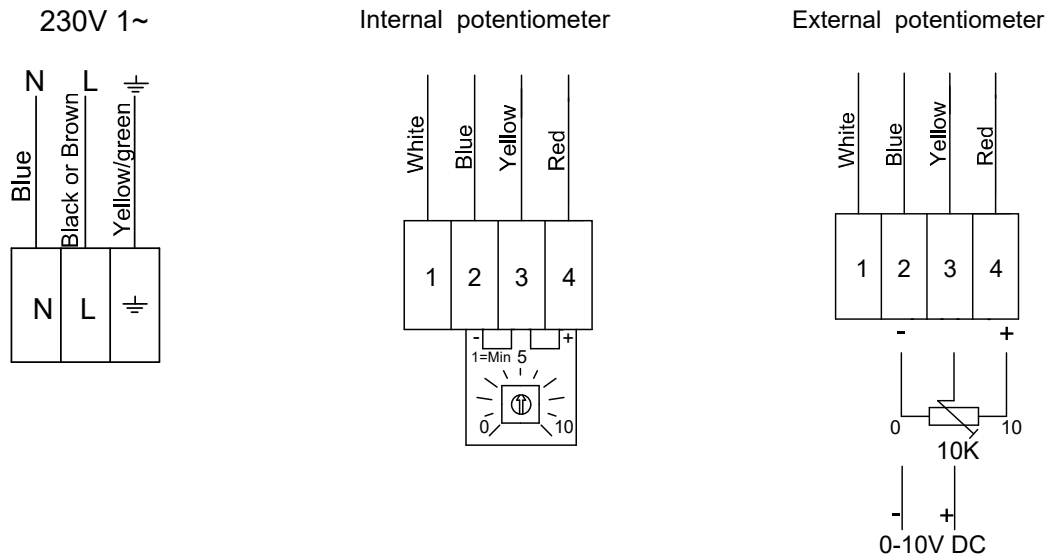


GB	Operation and maintenance instructions	27
SE	Drift och underhållsinstruktion	30
DE	Betriebsanleitung	33
DK	Drifts- og vedligeholdelsesvejledning	36
ES	Instrucciones de uso y mantenimiento	39
EE	Käitamis- ja hooldusjuhised	42
FI	Käyttö- ja huolto-ohjeet	45
IT	Istruzioni di funzionamento e manutenzione	48
LT	Naudojimo ir techninės priežiūros instrukcijos	51
LV	Lietošanas un montāžas instrukcija	54
NL	Gebruiks- en onderhoudsinstructies	57
NO	Drifts- og vedlikeholdsanvisning	60
PL	Instrukcja obsługi i konserwacji	63
RU	Руководство по эксплуатации и техническому обслуживанию	66
SK	Pokyny týkajúce sa prevádzky a údržby	69
SI	Navodila za uporabo in vzdrževanje	72
FR	Instructions d'utilisation et d'entretien	75
PT	Instruções de operação e manutenção	78
AR	81..... تعليمات التشغيل والصيانة	

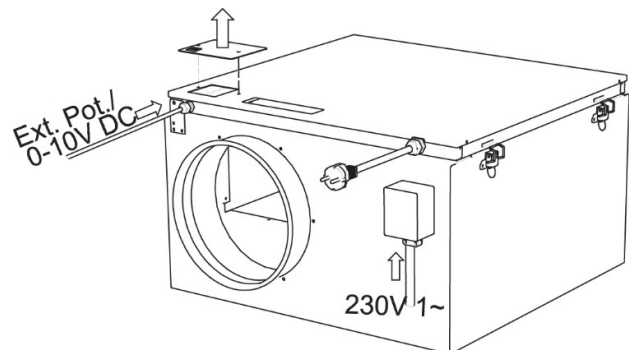
K EC, RS 30-15 EC, RS 40-25 EC



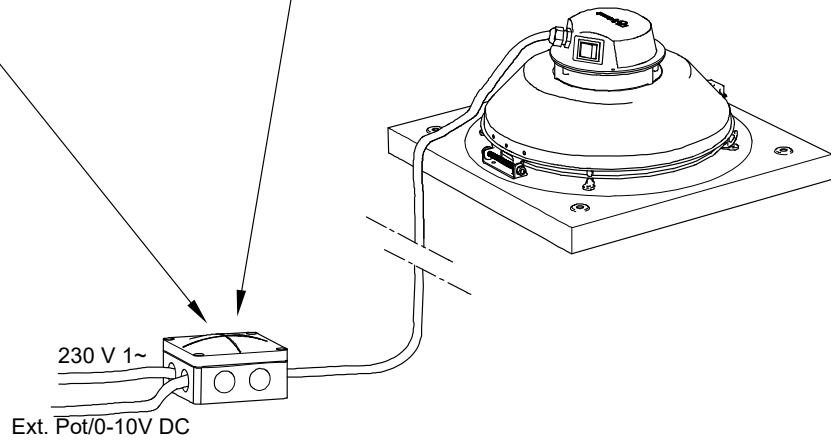
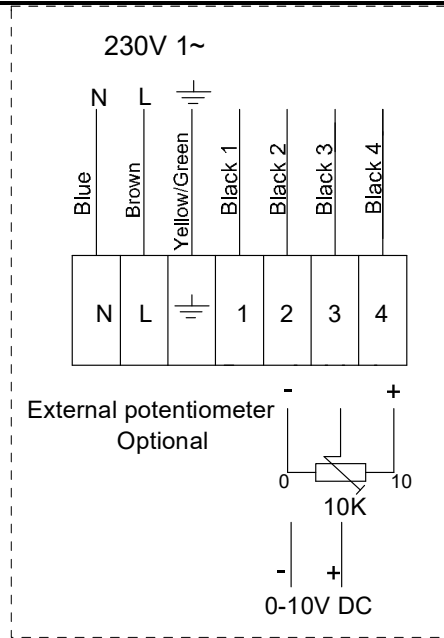
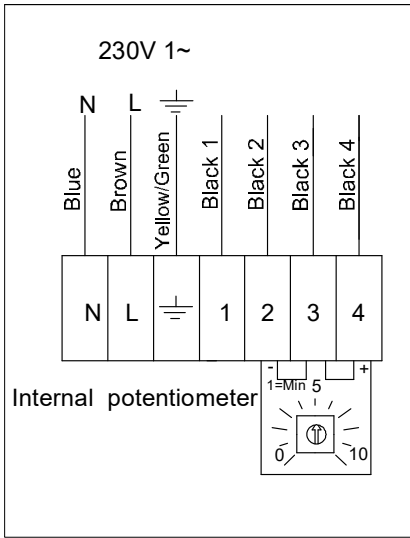
KVK Silent 125-160EC



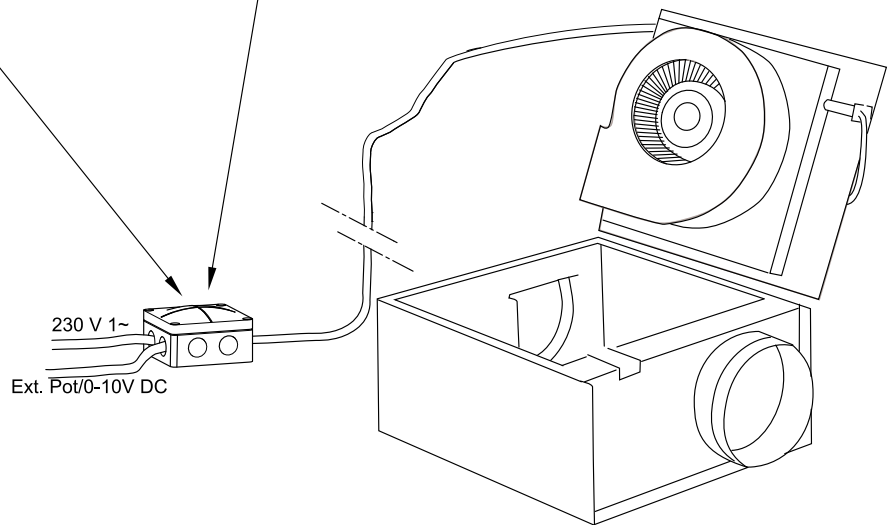
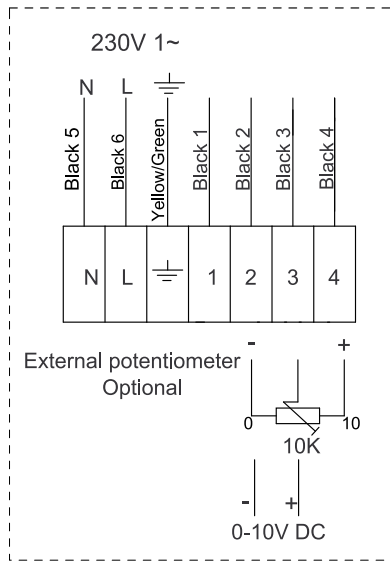
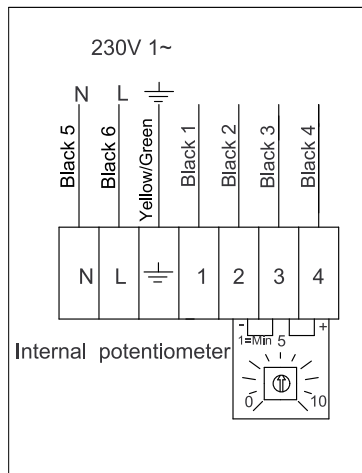
No.	Description
1	Tach output, I_{sink} max 10mA
2	GND
3	Control input 0-10 VDC/PWM
4	Output 10 VDC max 1.1 mA



TFSR/TFSK EC

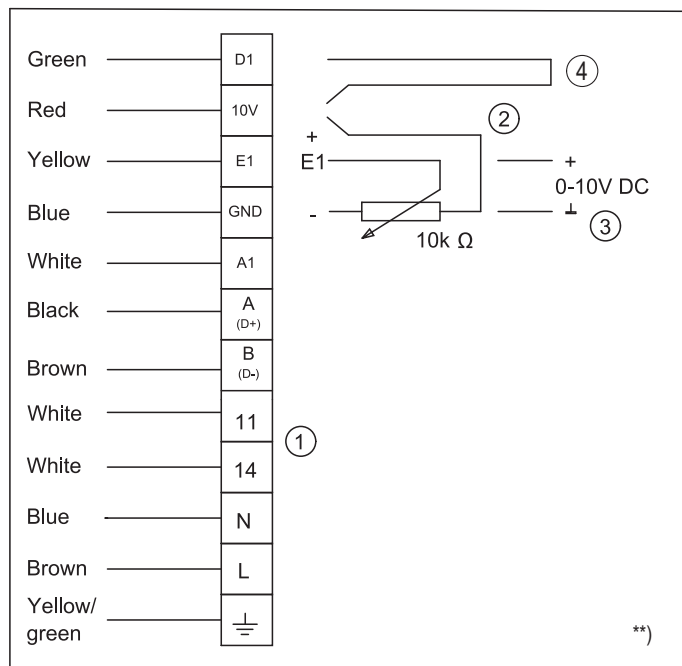
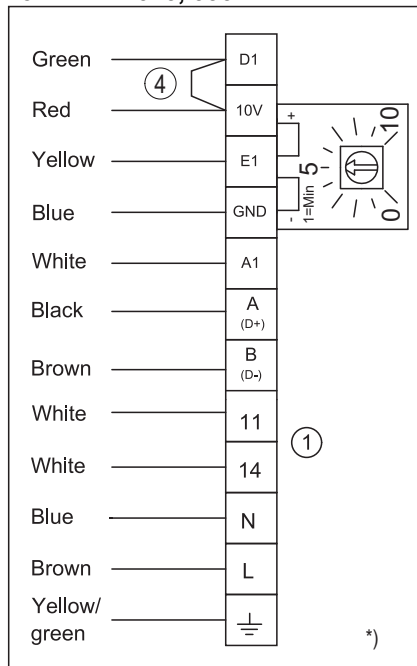


KVK Slim 100-160 EC



KD EC, RS EC, RSI EC

For KD EC 315, 355

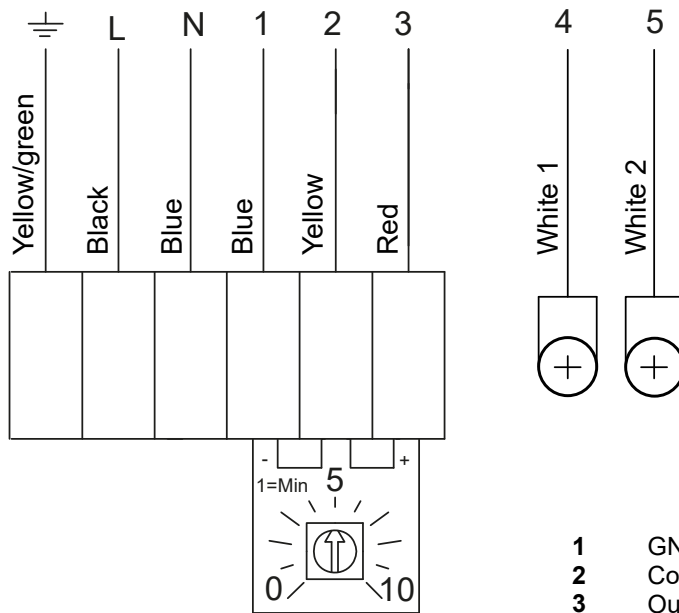


*) Internal potentiometer

***) External speed setting

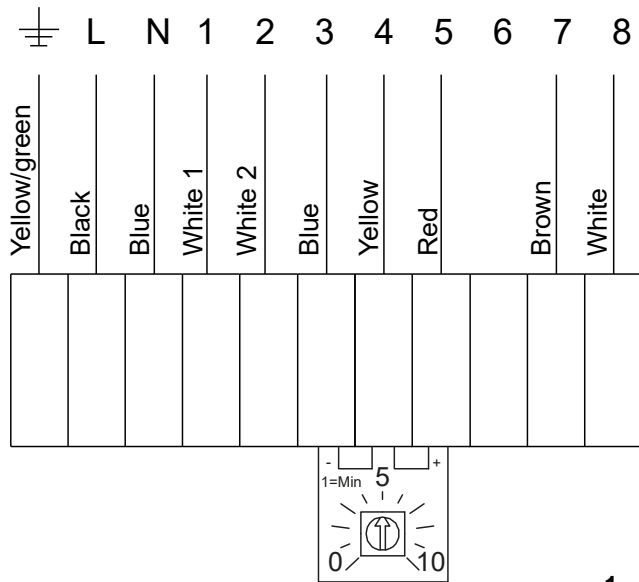
- 1** 11 & 14 = Alarm
For operation the relay is energized, connections "11" and "14" are bridged.
For fault the relay is de-energized (Diagnostics/faults).
Contact rating max. AC 250V 2A.
- 2** External potentiometer
- 3** External input DC 0...10V
- 4** External ON / OFF control via potential free contact

For RS 50-25 EC



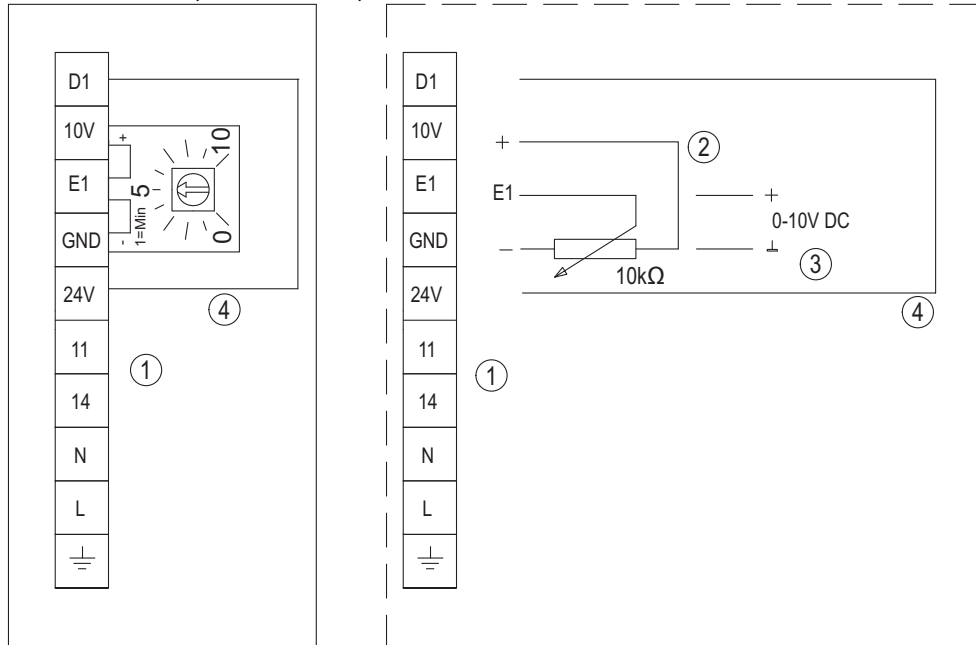
- 1** GND
- 2** Control input 0-10 VDC
- 3** Output 10 VDC max 10 mA
- 4** Alarm NC
- 5** Alarm COM

For RS 60-35 EC, RSI 60-35 EC



- 1** Alarm NC
- 2** Alarm COM
- 3** GND
- 4** Control input 0-10 VDC
- 5** Output 10 VDC max 10 mA
- 6**
- 7** Interface for Modbus, RSB
- 8** Interface for Modbus, RSA

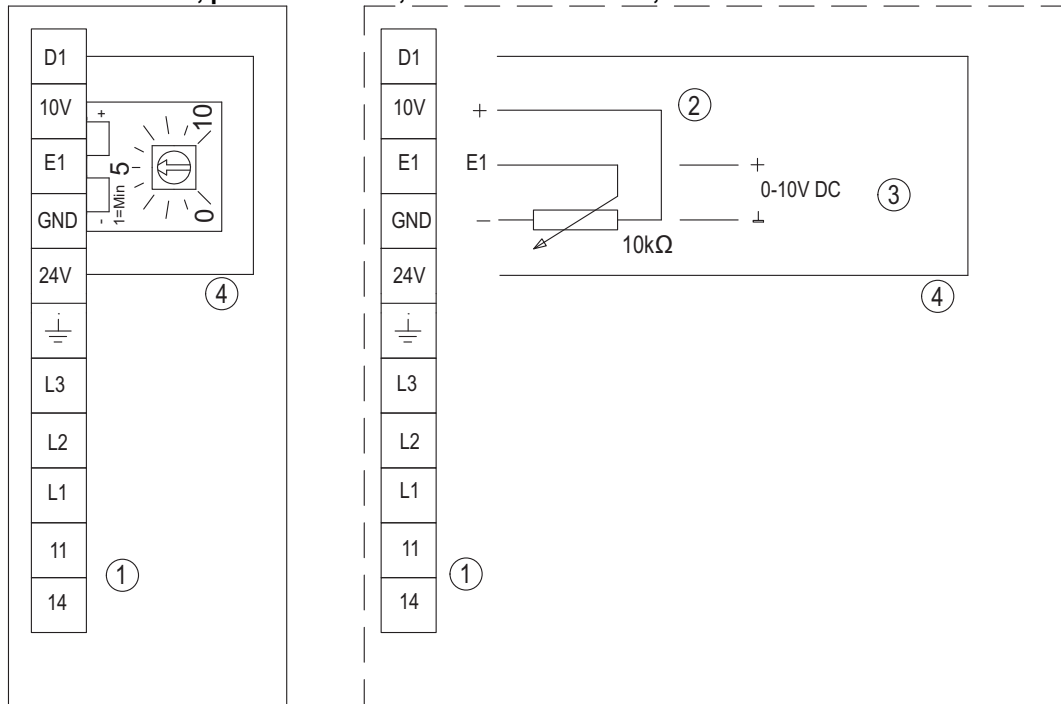
For KD 400E EC, RS 70-40 EC, RSI 70-40 EC



Internal potentiometer

External speed setting

For KD 400D EC, prio 450-500 EC, RS 80-50-100-50 EC, RSI 80-50-100-50 EC



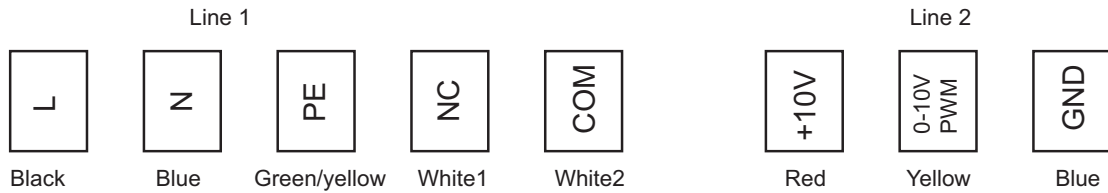
Internal potentiometer

External speed setting

- 1** 11 & 14 = Alarm
For operation the relay is energized, connections "11" and "14" are bridged.
For fault the relay is de-energized (Diagnostics/faults).
Contact rating max. AC 250V 2A.
- 2** External potentiometer
- 3** External input DC 0...10V
- 4** External ON / OFF control via potential free contact

KBT EC

For KBT 160EC



Line	Connection	Colour	Assignment/function
1	L	black	Mains 50/60 Hz, phase
	N	blue	Mains 50/60 Hz, neutral
	PE	green/yellow	Protective earth
	NC	white1	Alarm relay, break for failure
	COM	white2	Alarm relay, COMMON

Line	Connection	Colour	Assignment/function
2	+10V	red	Voltage output +10V max 1.1 mA
	0-10V/PWM	yellow	Control input (impedance 100 kΩ)
	GND	blue	Protective earth

For KBT 180-200 EC

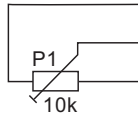


Connector	Connection	Assignment/function
PE	PE	Protective earth
KL1	N	Mains 50/60 Hz, neutral
	L	Mains 50/60 Hz, phase
KL2	NC	Alarm relay, brake for failure
	COM	Alarm relay, COMMON (2 A, 250 VAC, AC1)
	NO	Alarm relay, make for failure

Connector	Connection	Assignment/function
KL3	OUT	Master output 0-10V max 3 mA
	GND	GND
	0-10 V / PWM	Control / Actual value input (Impedance 100kΩ)
	+10 V	Supply for external potentiometer, 10 VDC (+10%) max 10 mA
	+20 V	Supply for external sensor, 20 VDC (±20%) max 50 mA
	4-20 mA	Control / Actual value input
	0-10 V / PWM	Control / Actual value input
	GND	GND
	RSB	RS485 interface for ebmBUS; RS B
	RSA	RS485 interface for ebmBUS; RS A
	RSB	RS485 interface for ebmBUS; RS B
	RSA	RS485 interface for ebmBUS; RS A

For KBT 225-250 EC

0-10V
+
-



Kl. 3 / class 3

12	RS A
11	RS B
10	RS A
9	RS B
8	GND
7	0-10V
6	4-20mA
5	+20V
4	+10V
3	0-10V
2	GND
1	OUT

Interface RS485 for ebmBUS
Interface RS485 for ebmBUS
Interface RS485 for ebmBUS
Interface RS485 for ebmBUS
GND
Control-/Actual value inlet
Control-/Actual value inlet
Supply ext. sensor 50mA
Supply ext. potentiometer 10mA
Control/Actual value inlet
GND
Master exit 0-10V max 3mA

Kl. 2 / class 2

3	NO
2	COM
1	NC

Error signal relay, closer in the case of error
Error signal relay, COMMON (2A, 250 VAC)
Error signal relay, opener in the case of error

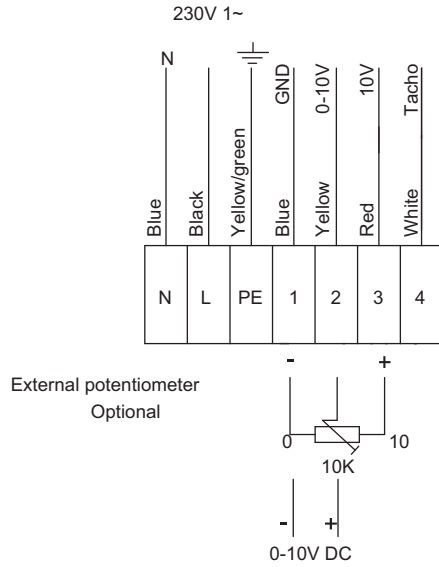
Kl. 1 / class 1

3	L1
2	L2
1	L3
	PE

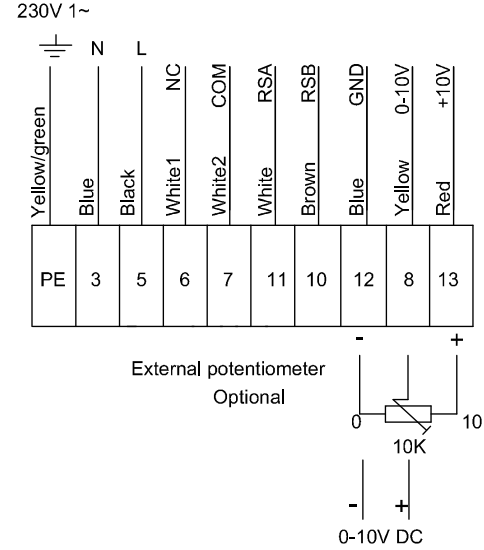
Net, L1
Net, L2
Net, L3
Protective conductor

KV DUO EC

For KV DUO 150-315 EC

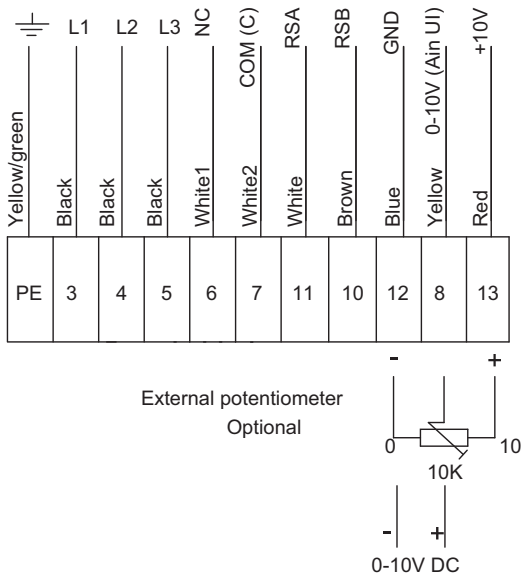


For KV DUO 400 EC

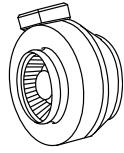


For KV DUO 500-630 EC

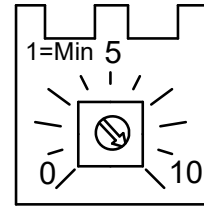
400V 3~



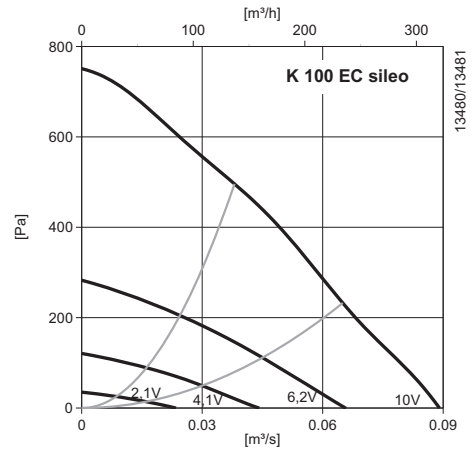
K EC



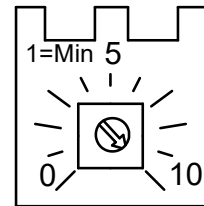
K 100 EC



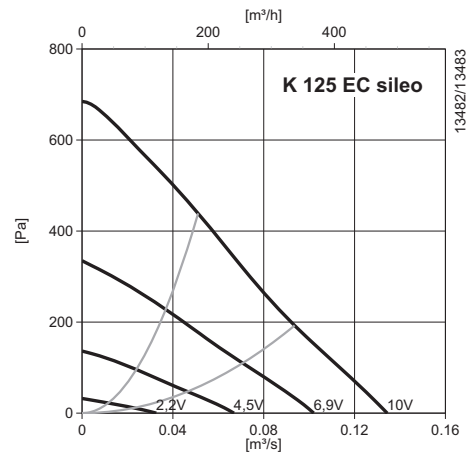
(10,0V)



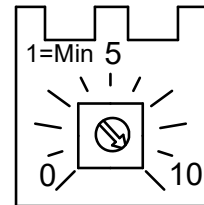
K 125 EC



(10,0V)



K 150 EC



(10,0V)

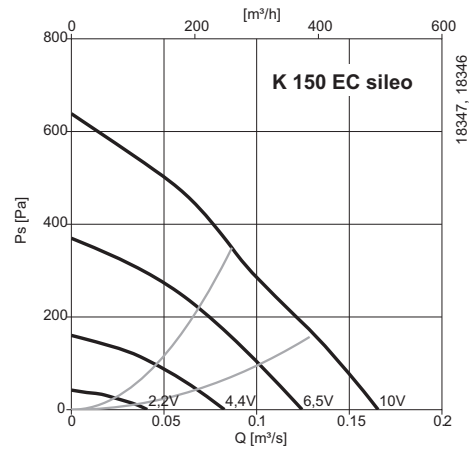
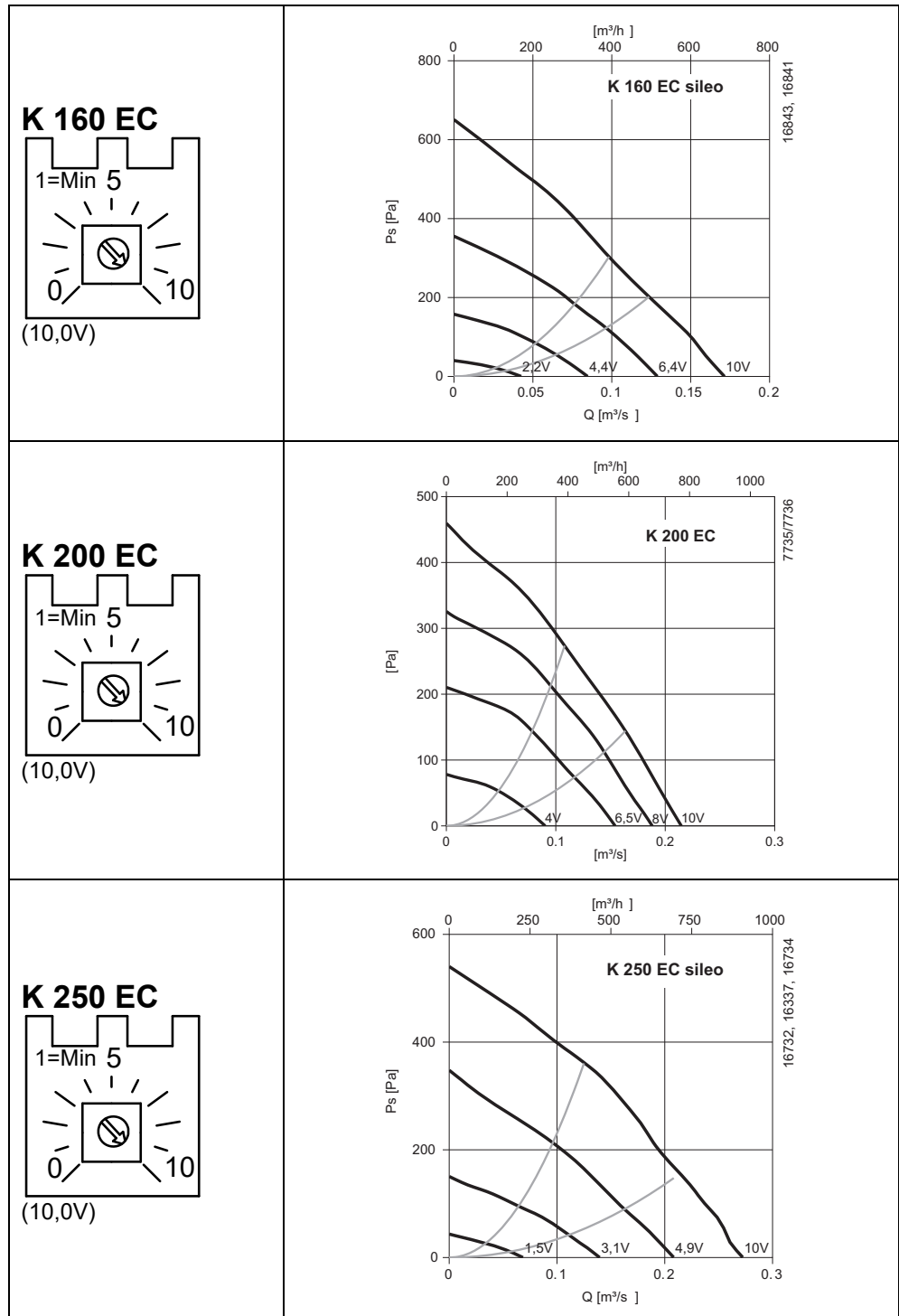


Fig 1

K EC



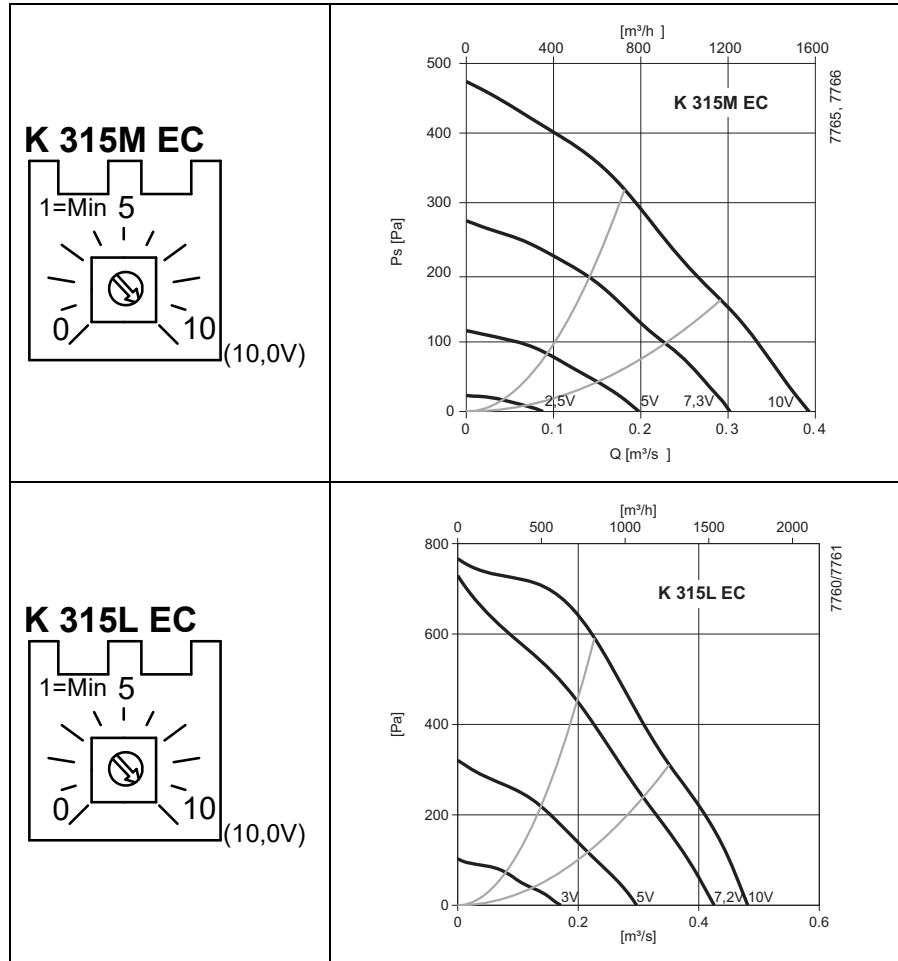
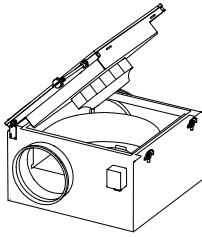
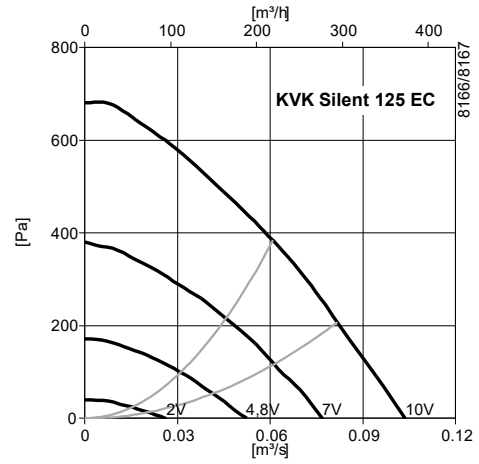
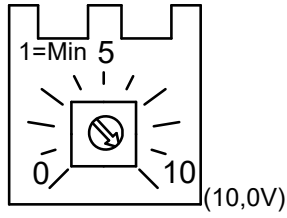


Fig 3

KVK Silent 125-160 EC



KVK Silent 125 EC



KVK Silent 160 EC

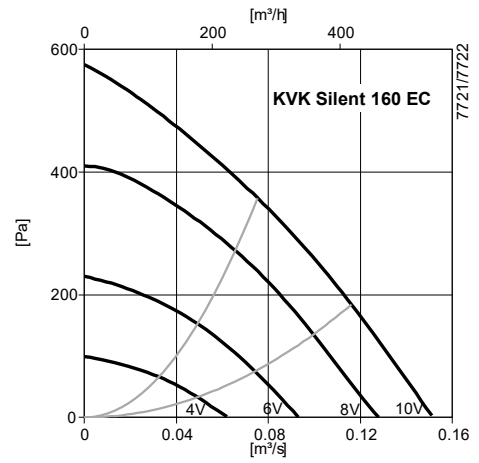
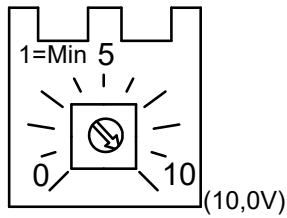
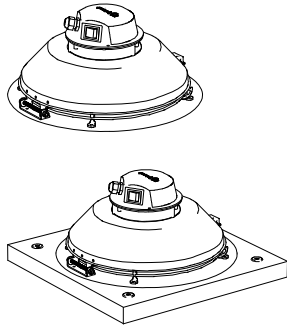
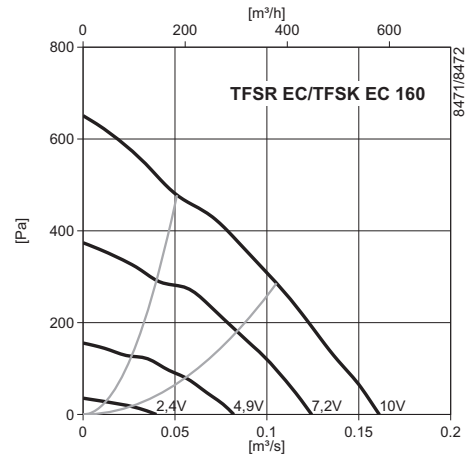
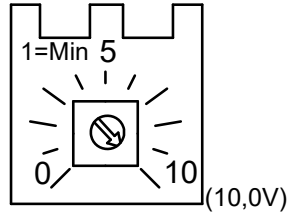


Fig 4

TFSR EC/TFSK EC



**TFSR EC/
TFSK EC 160**



**TFSR EC/
TFSK EC 200**

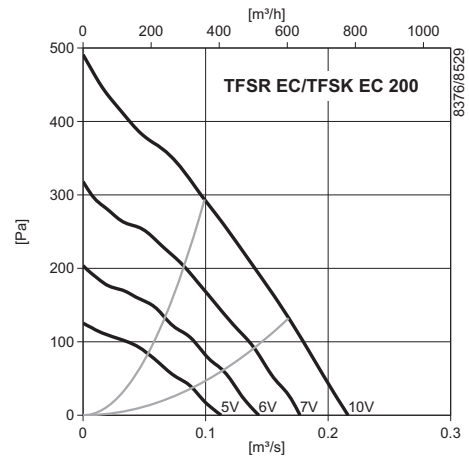
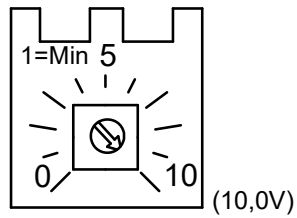
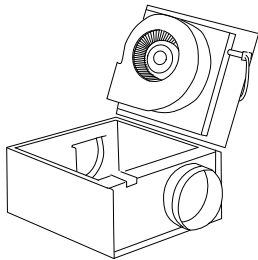
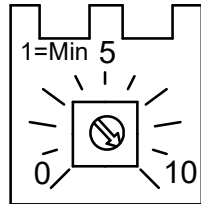


Fig 5

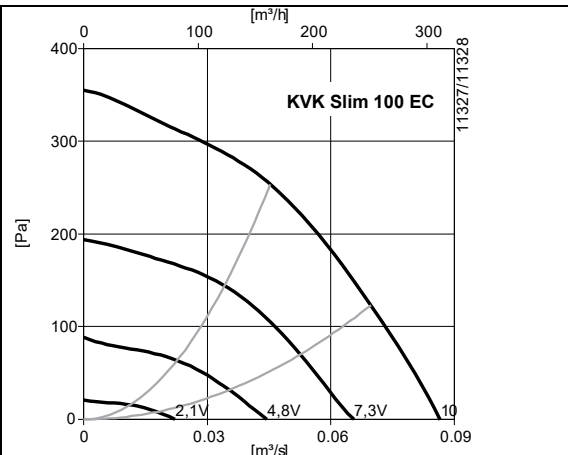
KVK Slim EC



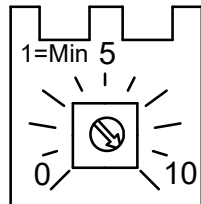
KVK Slim 100 EC



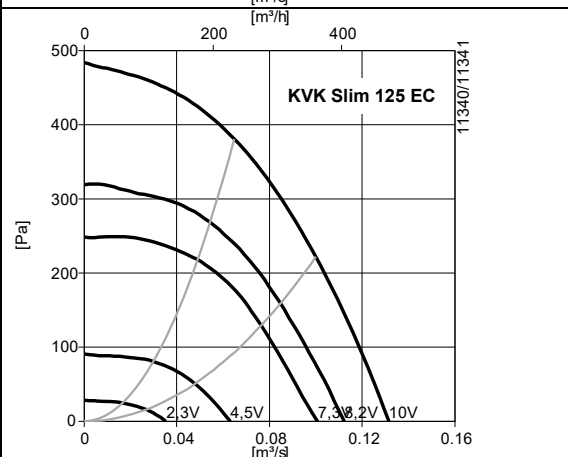
(10,0V)



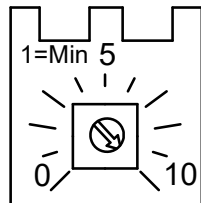
KVK Slim 125 EC



(10,0V)



KVK Slim 160 EC



(10,0V)

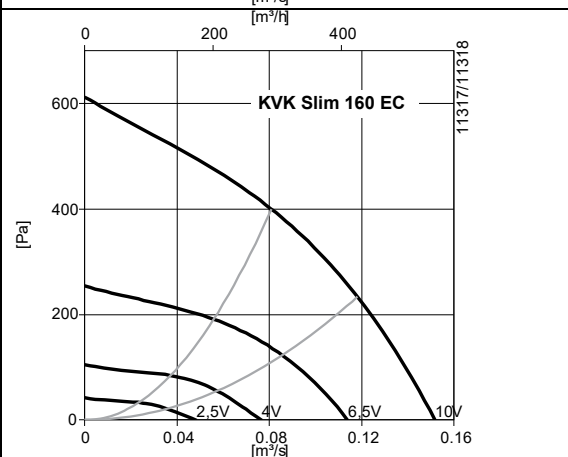


Fig 6

KD EC

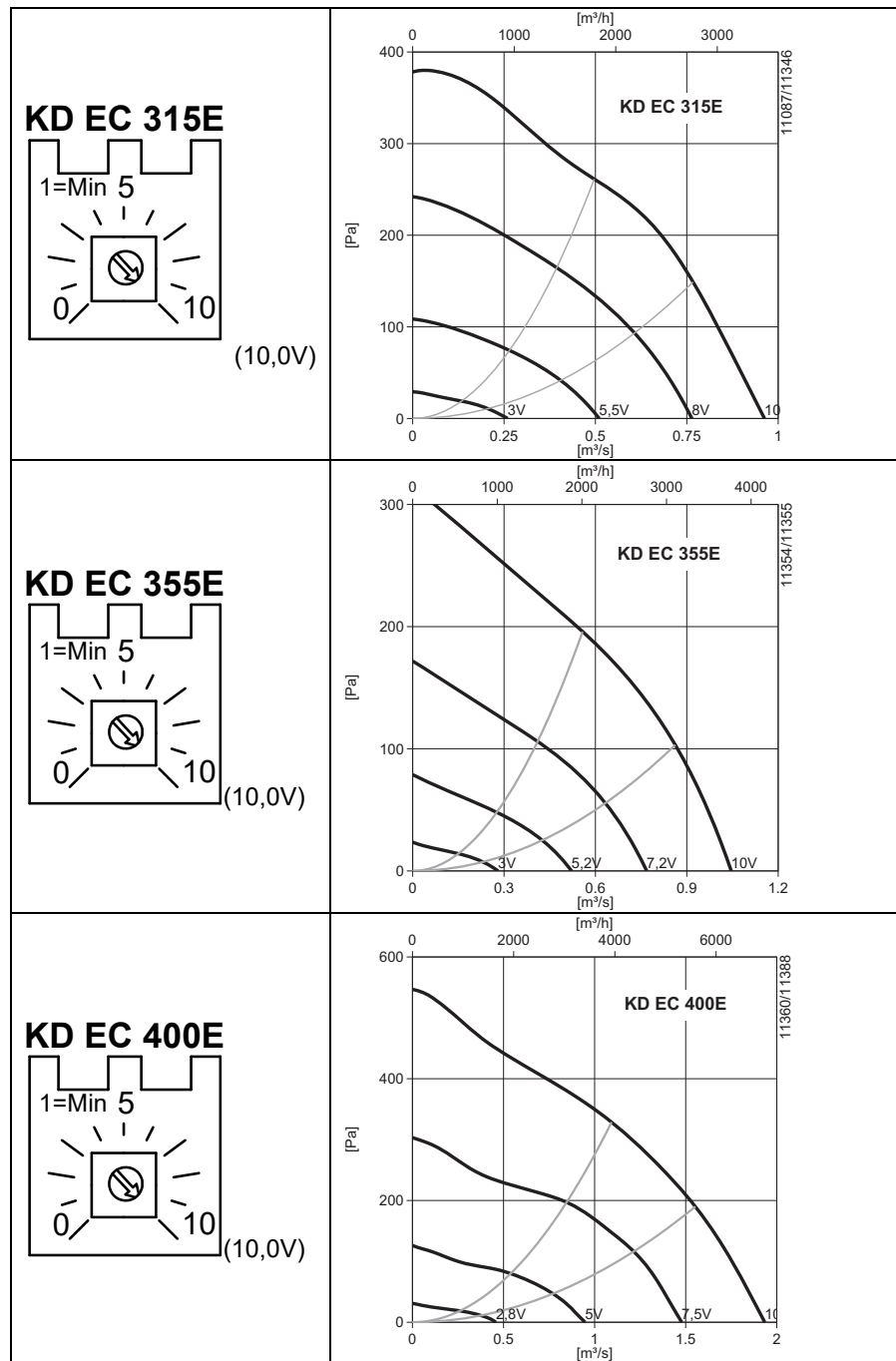


Fig 7

prio EC

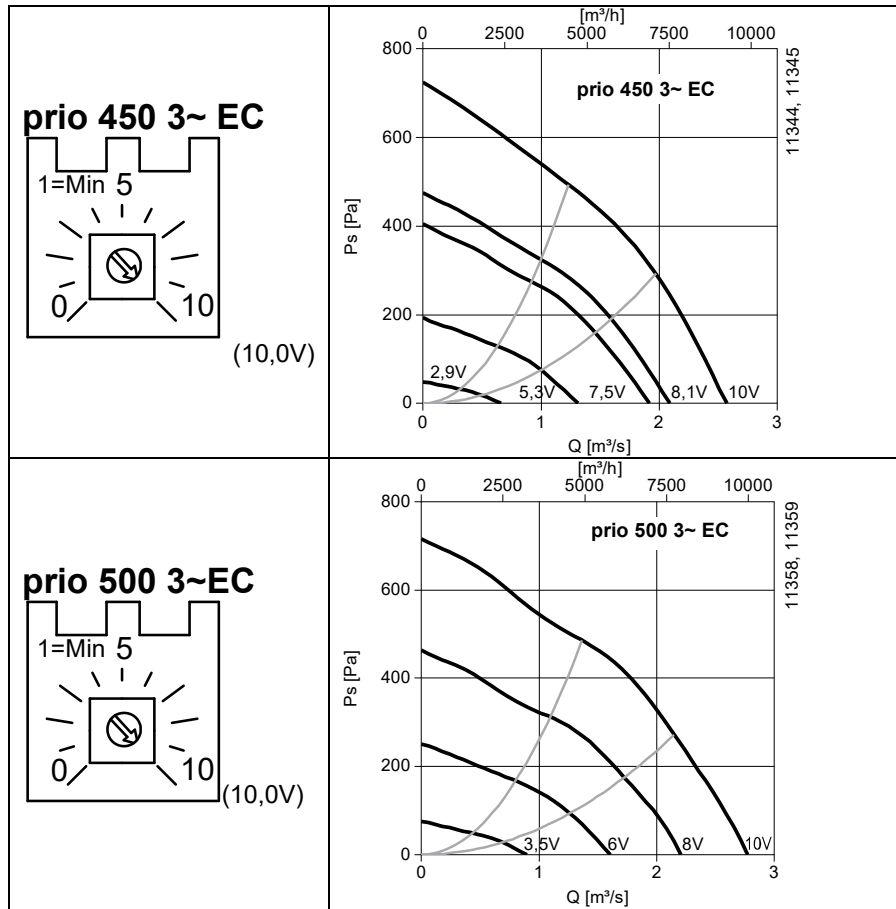


Fig 8

RS, RSI EC

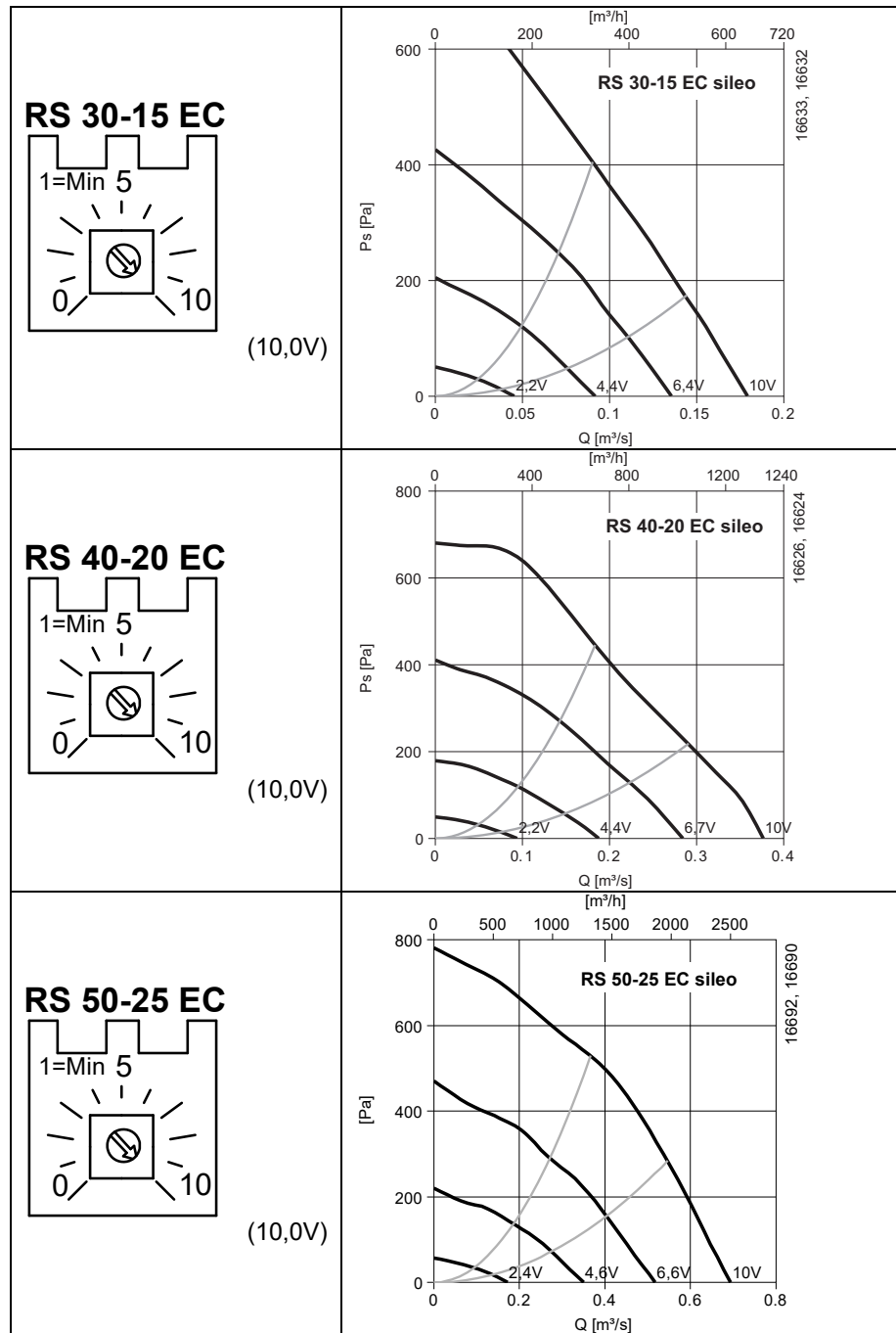


Fig 9

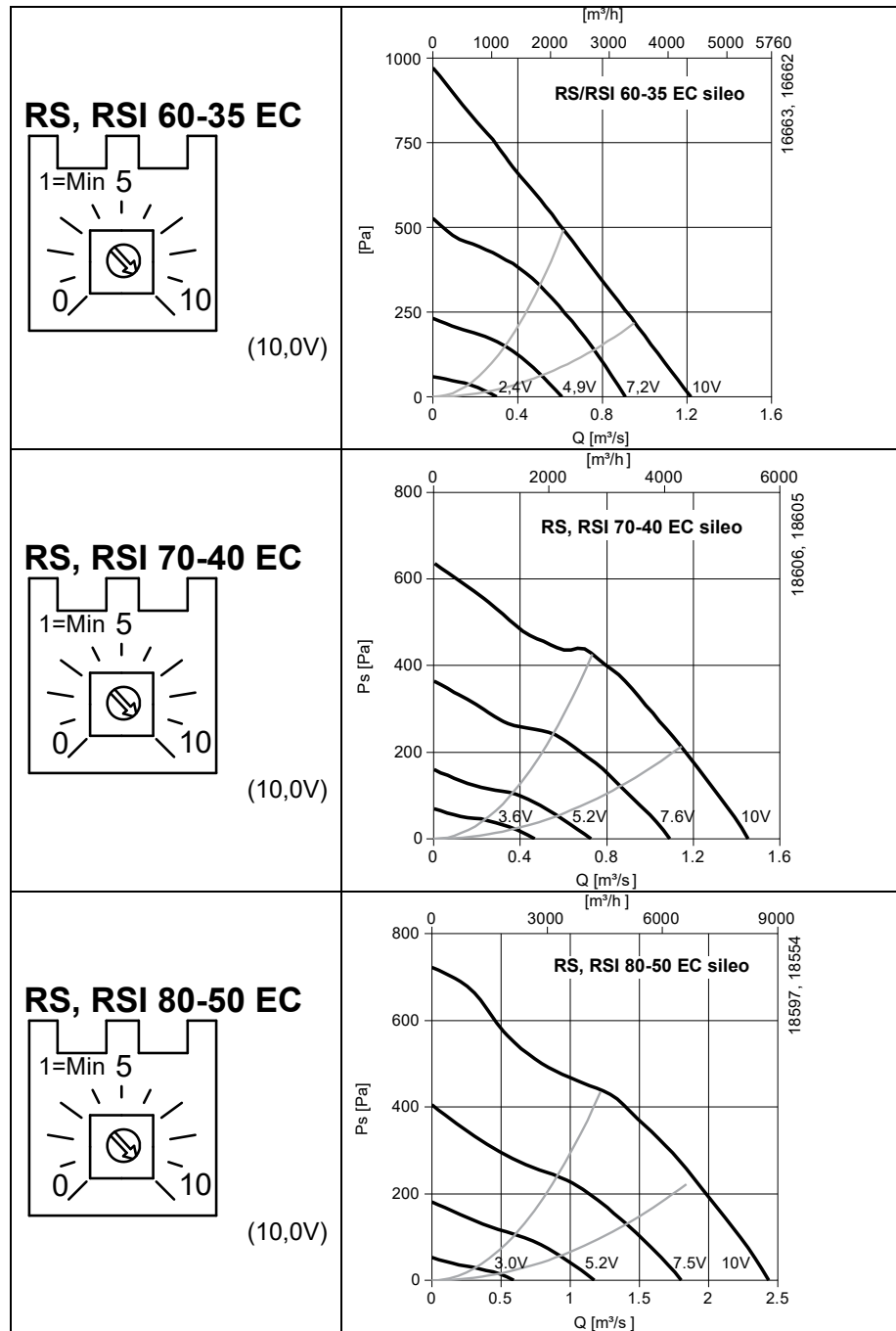


Fig 10

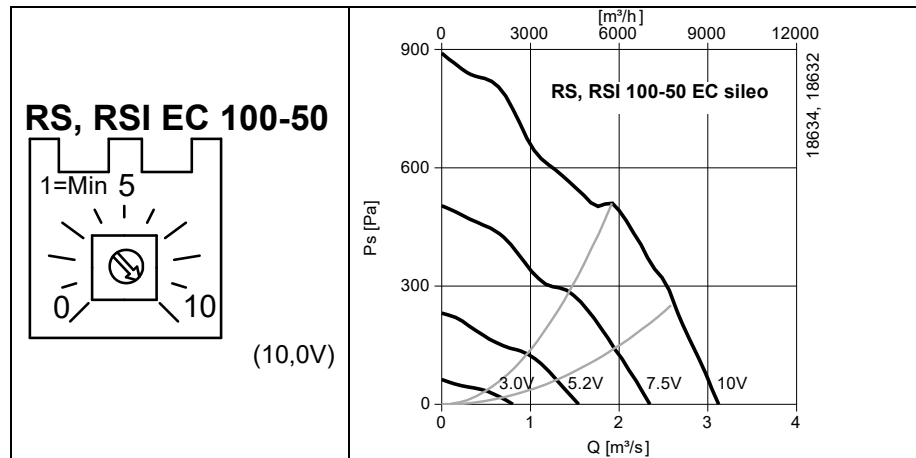
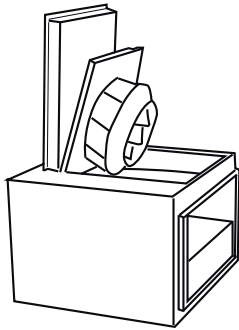


Fig 11

KBT EC

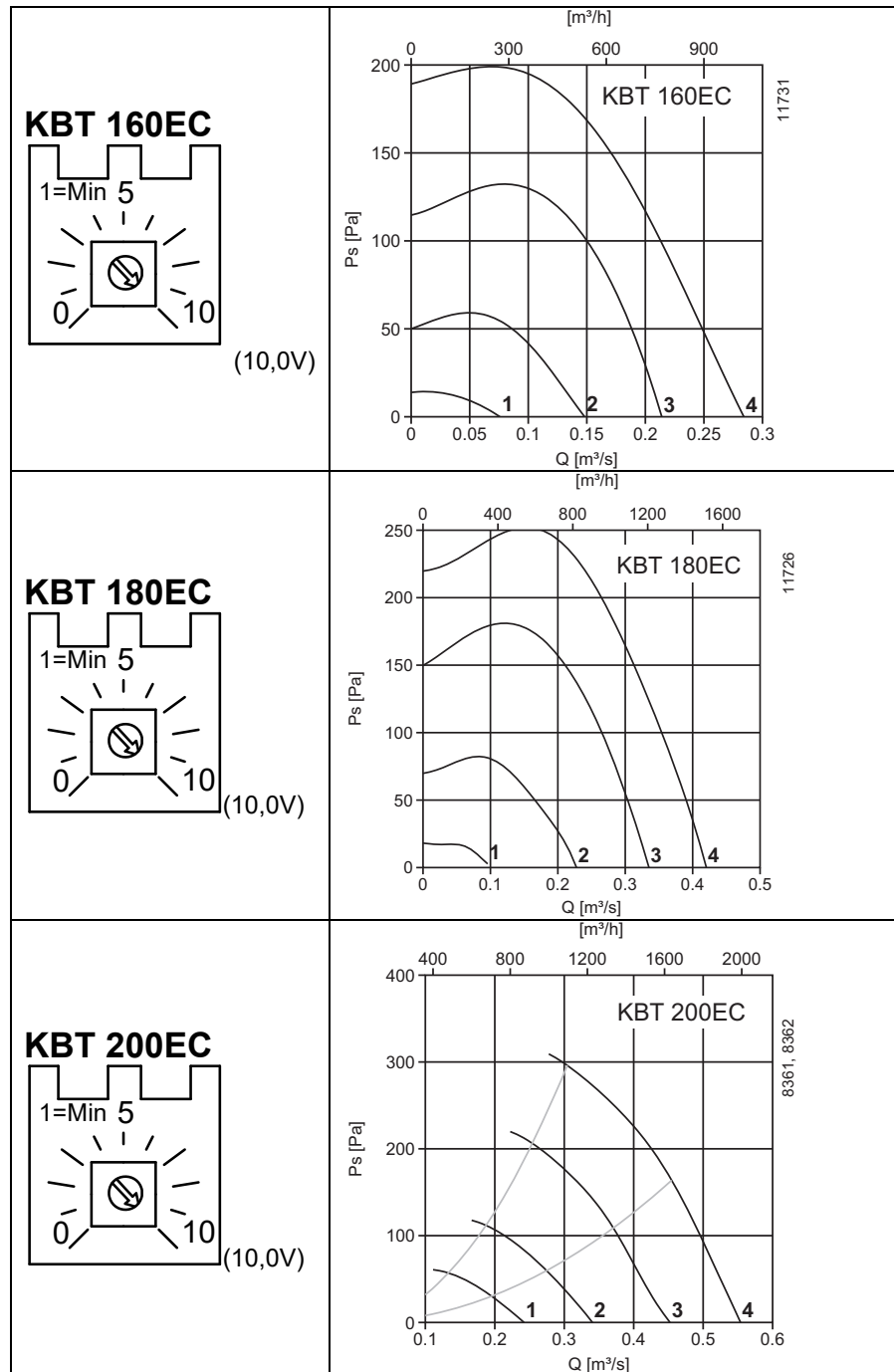


Fig 12

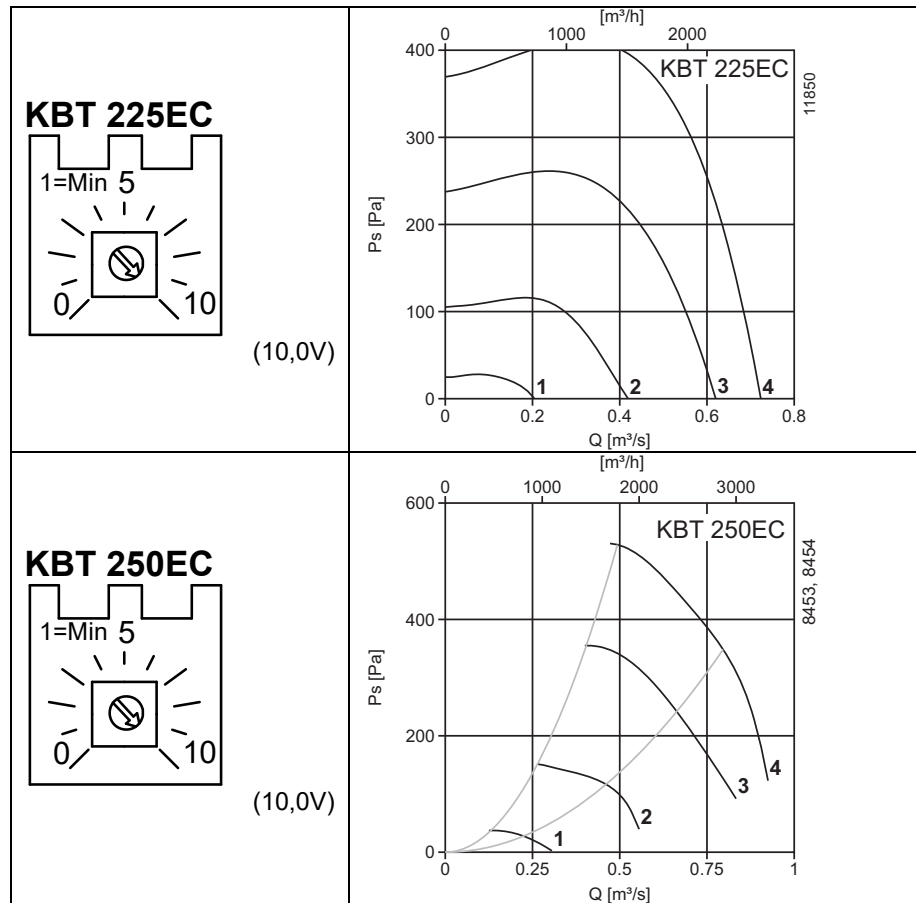


Fig 13

KV DUO EC

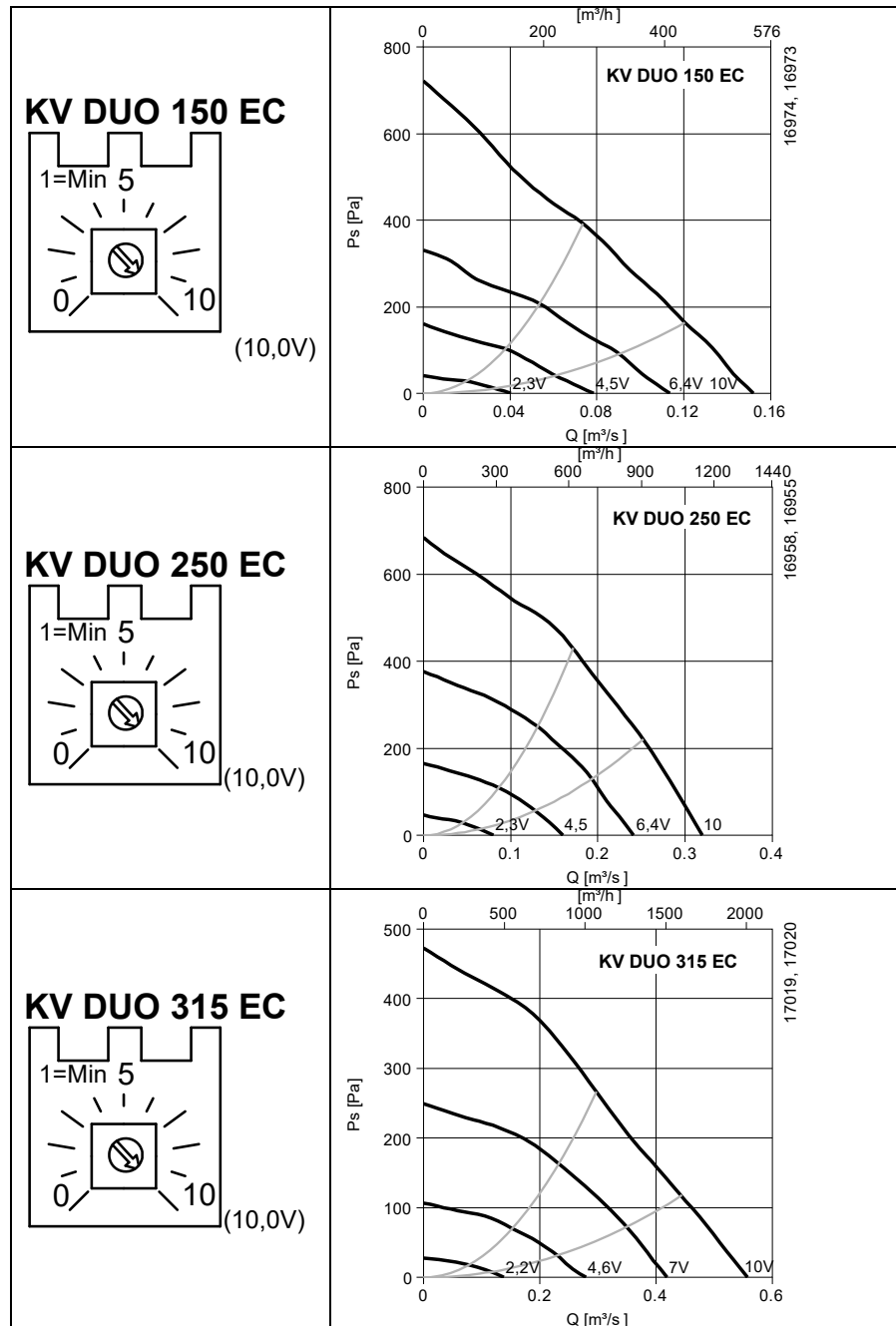


Fig 14

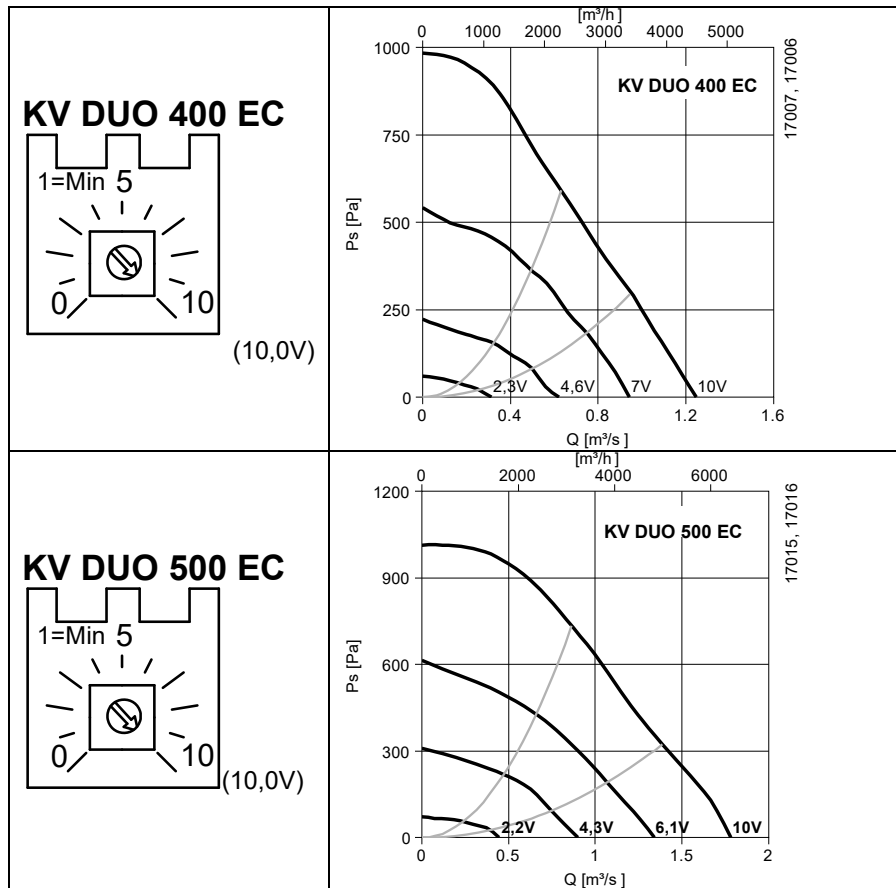
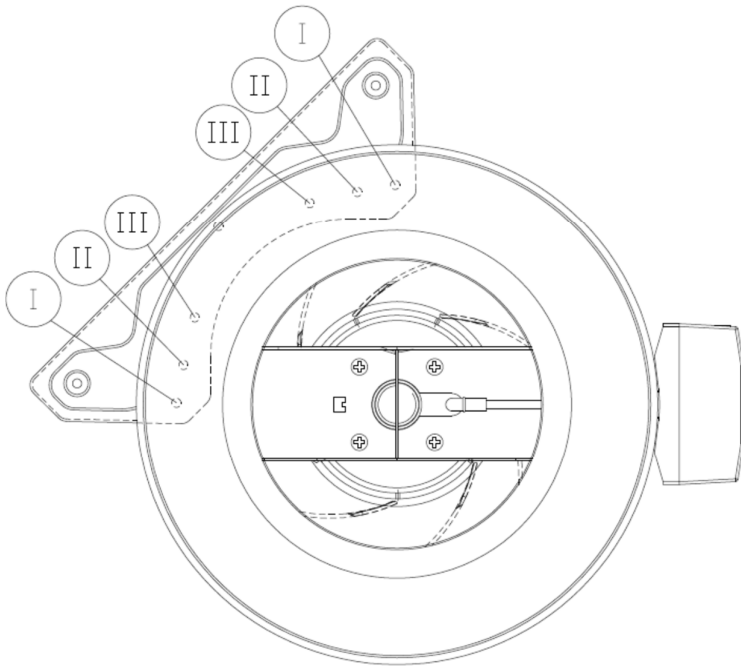
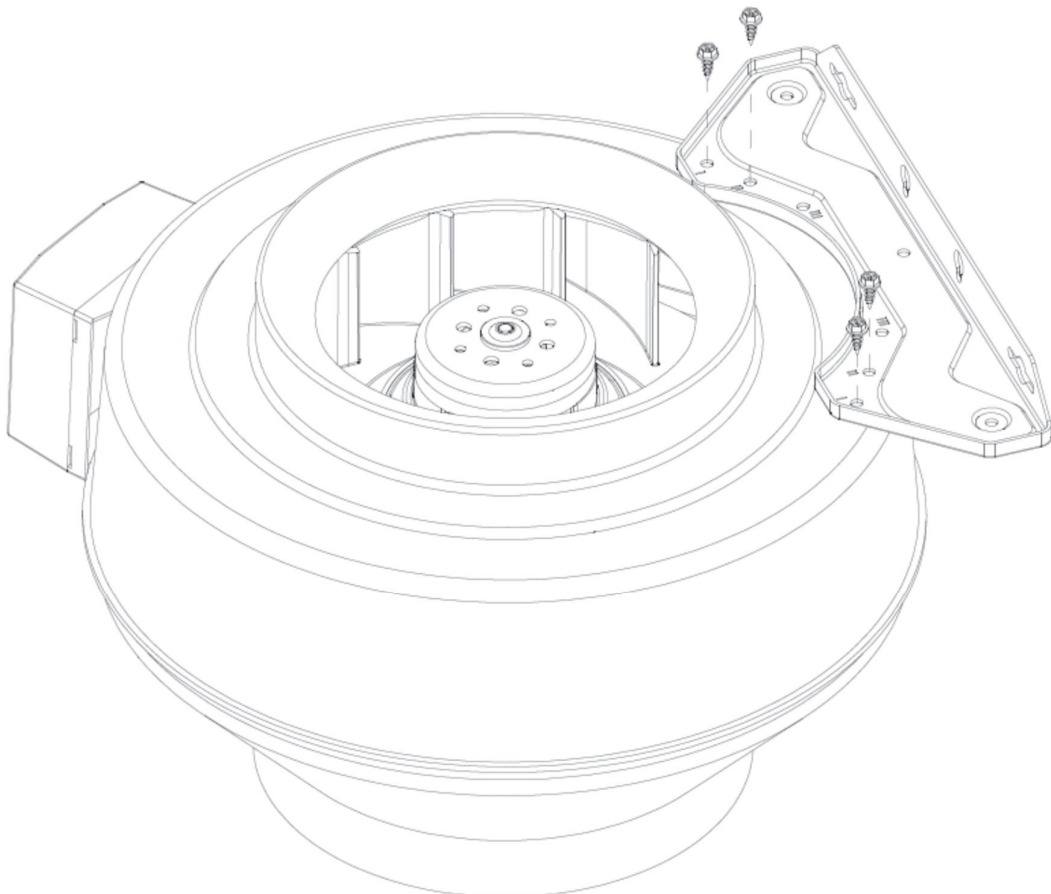


Fig 15



Type	Screw
K EC 100	I
K EC 125	I
K EC 160	II
K EC 200	I + II
K EC 250	I + II
K EC 315 M/L	I + II



EU Declaration of Conformity

Manufacturer



Systemair Sverige AB
 Industrivägen 3
 SE-73930 Skinnskatteberg SWEDEN
 Office: +46 222 440 00 Fax: +46 222 440 99
www.systemair.com

hereby confirms that the following products including Sileo versions:

Duct fans with circular connection: K 100-315L EC, KVK Slim 100-160 EC, KD 315-400 EC, prio 450-500 EC, KV DUO 150-500 EC

Duct fans with rectangular connection: RS 30-15-100-50 EC, RSI 60-35-100-50 EC

Insulated duct fans with circular connection: KVK Silent 125-160 EC

Roof fans with circular or square connection: TFSR /TFSK 160-200 EC

Thermo fans: KBT 160-250 EC

(The declaration applies only to product in the condition it was delivered in and installed in the facility in accordance with the included installation instructions. The insurance does not cover components that are added or actions carried out subsequently on the product)

Comply with all applicable requirements in the following directives

<ul style="list-style-type: none"> • Machinery Directive 2006/42/EC • Low Voltage Directive 2014/35/EU • EMC Directive 2014/30/EU • RoHS Directive 2011/65/EU (Residential units) 	<ul style="list-style-type: none"> • Ecodesign Directive 2009/125/EC 327/2011 Requirements for fans above 125W 1253/2014 Requirements for ventilation units above 30W 1254/2014 Requirements for energy labeling of residential ventilation units
---	---

The following harmonized standards are applied in applicable parts:

EN ISO 12100:2010	Safety of machinery – General principles for design – Risk assessment and risk reduction
EN 13857	Safety of machinery – Safety distances to prevent hazard zones being reached by upper or lower limbs
EN 60 335-1	Household and similar electrical appliances – Safety Part 1: General requirements
EN 60 335-2-80	Household and similar electrical appliances – Safety – Part 2-80: Particular requirements for fans
EN 62233	Measurement methods for electromagnetic fields of household appliances and similar apparatus with regard to human exposure
EN 50 106:2007	Safety of household and similar appliances – Particular rules for routine tests referring to appliances under the scope of EN 60 335-1 and EN 60967
EN 60529	Degrees of protection provided by enclosure (IP Code).
EN 60 204-1	Safety of machinery – Electrical equipment of machines – Part 1: General requirements
EN 60730-1	Automatic electrical controls for household and similar use - Part 1: General requirements
EN 61000-6-2	Electromagnetic compatibility (EMC) – Part 6-2: Generic standards – Immunity for industrial environments
EN 61000-6-3	Electromagnetic compatibility (EMC) – Part 6-3: Generic standards – Emission standards for residential, commercial and light-industrial environments

Skinnskattberg 17-08-2018



Mats Sándor
 Technical Director

Safety Information

This machinery must not be put into operation prior to reading mounting instructions and safety information. All fans are intended for transportation of air in air handling systems. If installed in non-heated rooms, fan casing must be insulated in order to avoid condensation. They are designed to be used once built into machines or ducted to be used into machines or duct systems or after contact protection grid has been installed. (EN ISO 13857). Fans with duct connections must be connected to ducts on both sides (inlet/outlet). No moving parts shall be accessible after installation. The fans are not to be used in hazardous environments or connected to flue ducts. The fans must not be installed outdoors (except TFSR/TFSK EC, K EC). Safety accessories (i.e. safety grille) may not be dismantled, short cut or disconnected. Roof fans and KBT EC are exclusively intended for extract air applications.

This appliance can be used by children aged from 8 years and above and persons with reduced physical, sensory or mental capabilities or lack of experience and knowledge if they have been given supervision or instruction concerning use of the appliance in a safe way and understand the hazards involved. Children shall not play with the appliance. Cleaning and user maintenance shall not be made by children without supervision.

Precautions must be taken to prevent the backflow of exhaust gases from flues from other appliances installed in the same room, which are fired by gas or other fuels.

The appliance must be connected to a mains circuit breaker in the fixed installation.

CAUTION Before servicing or maintenance, switch off power, (all-pole circuit breaker), and make sure the impeller has come a standstill. CAUTION the fans can have sharp edges and corners which may cause injuries. CAUTION be careful when opening the fans service-hatches (swing-out), the fan and motor assembled on the hatch is relatively heavy (applies to KVKE, KVO).

The fan motor has built in protection for locked rotor, which implies that the motor tries to restart with a preprogrammed interval whenever it senses that the rotor is standing still. When the blockage is removed the fan will start up by itself without any further measures. At high motor temperatures the current will be cut from the motor. It can then only be restarted by manually disconnecting the mains supply to the fan for couple of minutes.

Transportation and Storage

All fans are packaged at the factory to withstand normal transport handling. When handling the goods use suitable lifting equipment in order to avoid damage to fans and personnel. Do not lift the fans by the connecting cable, connection box, impeller or inlet cone. Avoid blows and shock loads. Store the fans in a dry place protected from weather and dirt until final

installation. Permissible storage temperatures - 40...+80°C

Installation

Refer to Safety information above. Installation, electrical connection and commissioning are only to be carried out by authorised personnel and in accordance with requirements and demands. Electrical connection according to the wiring diagram in the terminal box, markings on terminal blocks or on cable. Seal any empty cable glands with dummy plugs. The K-EC fan must be installed with the connection box at the top of the unit ± 90 degrees. If permanent installation is carried out using cables with diameter 12-14 mm, the electrical gland must be replaced (applies to type K-EC). Assemble the fan in the direction of airflow (see arrow on unit). The fan must be installed so that vibration is not transmitted via ducted systems or building structure. (Suitable accessories such as fast clamps and diffusers are available). Make sure the assembly of the fan is firm and stable. The fan can be mounted in any direction unless stated otherwise. The fans must be assembled so that service and maintenance can be performed easily and safely. Disturbing noise can be avoided by installing silencers (available accessory). The fans are meant for continuous use within the temperature range stated.

For fans which reset by cutting the current, must be taken into consideration when connecting surrounding equipment with automatic on/off function.

EC motors have a leakage current to earth corresponding to $\leq 3,5$ mA. This needs to be considered whenever the fan is connected together with an earth fault breaker.

Integral potentiometer

The integral potentiometer is factory preset (**Fig. 1-15**). This value can be changed manually to obtain a different motor rpm/fan performance. Fan performance charts for this purpose are shown in the table by voltage steps on page 11-25 (**Fig. 1-15**) to the right of the pot. symbols. An external potentiometer can be connected if necessary. If so the internal potentiometer needs to be disconnected from the connection terminals.

Tach output

Terminal No. 1 in the wiring diagrams (white signal cable) enables connection of an rpm counter (one pulse per revolution), controller, alarm or a speed display. The Tacho a signal with max 10mA.

Operation

Before initial operation, check the following:

- Electrical connection has been properly completed.
- Protective conductor has been connected.
- Safety devices in place (protection grid)
- Leftover installation materials and foreign materials have been removed from the casing.

When putting into operation, check the following:

- Connection data corresponds to the specifications on the nameplate: Maximum voltage +6%, -10%, according to IEC 38. Rated current must not be exceeded with more than 5% at rated voltage.
- Smoothness of motor operation, (no abnormal noises).
- Fans must only be operated by a person who has suitable knowledge or education within this field or carried out with the supervision of a suitably qualified person.

Maintenance, Service and Repair

Prior to maintenance, service or repair, make sure that:

- Power supply is interrupted (all-pole circuit breaker).
- Fan impeller has come to a complete standstill
- Observe personnel safety regulations!

The fan should be cleaned when necessary, at least 1/year to avoid imbalance and unnecessary damage to the bearings. A filter will further improve the time interval between cleaning of the fan. (It is sometimes recommended to install a filter guard). The fan bearings are maintenance free and should only be replaced if damaged. Do not use a high-pressure cleaner (steam jet) when cleaning the fan. Make sure the fan impeller's balance weights are not moved or the fan impeller distorted. Listen for abnormal operating noise.


The following applies in case the fan has stopped:

- Try to restart the fan by cutting the power a couple of minutes.
- Ensure that the impeller is not locked. Possible obstruction to be removed after the current has been switched off. Check that the fan starts after reconnecting the current. If the fan does not start, please contact your place of purchase.



Disposal and recycling

Residential products with this symbol at the nameplate are compliant to the WEEE directive. When disposing of the unit, follow your local rules and regulations.

 This product packing materials are recyclable and can be reused. Do not dispose in household waste.

For labelled components such as for example fans, the disassembly instructions can be found on the component manufacturer's homepage.

EU Försäkran om överensstämmelse

Tillverkare



Systemair Sverige AB
 Industrivägen 3
 SE-73930 Skinnskatteberg SVERIGE
 Kontor: +46 222 440 00 Fax: +46 222 440 99
www.systemair.com

intygar härmed att följande produkter inklusive Sileo versioner:

Kanalfäktar med cirkulär anslutning: K 100-315L EC, KVK Slim 100-160 EC, KD 315-400 EC, prio 450-500 EC, KV DUO 150-500 EC

Kanalfäktar med rektangulär anslutning: RS 30-15-100-50 EC, RSI 60-35-100-50 EC

Isolerade kanalfäktar med cirkulär anslutning: KVK Silent 125-160 EC

Takfläktar med cirkulär eller rektangulär anslutning: TFSR /TFS 160-200 EC

Boxfläktar: KBT 160-250 EC

(Intyget gäller endast för produkten i det skick i vilket den levererats och installerats vid anläggningen i enlighet med medföljande installationsanvisningar. Intyget omfattar inte komponenter som senare lagts till eller åtgärder som senare vidtagits på produkten.)

uppfyller alla tillämpliga krav i nedanstående direktiv.

<ul style="list-style-type: none"> • Maskindirektivet 2006/42/EG • Lågspänningsdirektivet 2014/35/EU • EMC-direktivet 2014/30/EU • RoHS-direktivet 2011/65/EU (bostadsaggregat) 	<ul style="list-style-type: none"> • Ecodesign-direktiv 2009/125/EC 327/2011 Krav för fläktar över 125 W 1253/2014 Krav för ventilationsaggregat över 30 W 1254/2014 Krav för energimärkning av bostadsaggregat
---	---

Tillämpliga delar av nedanstående harmoniserade standarder tillämpas.

EN ISO 12100:2010	Maskinsäkerhet – Generella konstruktionsprinciper – riskbedömning och riskminskning
EN 13857	Maskinsäkerhet – Skyddsavstånd för att hindra att armar och ben når in i riskområden
EN 60335-1	Elektriska hushållsapparater och liknande bruksföremål – Säkerhet – Del 1: Allmänna fordringar
EN 60335-2-80	Elektriska hushållsapparater och liknande bruksföremål – Säkerhet – Del 2-80: Särskilda fordringar på fläktar
EN 62233	Hushållsapparater och liknande bruksföremål – Mätning av elektromagnetiska fält med avseende på exponering
EN 50106:2007	Elektriska hushållsapparater och liknande bruksföremål – Säkerhet – Anvisningar för tillverkningskontroll av apparater som omfattas av EN 60335-1 och EN 60967
EN 60529	Kapslingsklasser för elektrisk materiel (IP-beteckning).
EN 60204-1	Maskinsäkerhet – Maskiners elutrustning – Del 1: Allmänna fordringar
EN 60730-1	Automatiska elektriska styr- och reglerdon för hushållsbruk – Del 1: Allmänna fordringar
EN 61000-6-2	Elektromagnetisk kompatibilitet (EMC) – Del 6-2: Generella fordringar – Immunitet hos utrustning i industrimiljö
EN 61000-6-3	Elektromagnetisk kompatibilitet (EMC) – Del 6-3: Generella fordringar – Emission från utrustning i bostäder, kontor, butiker och liknande miljöer

Skinnskatteberg 17-08-2018



Mats Sándor
 Teknisk Direktör

Säkerhet

Fläktar får ej tas i bruk innan installationsanvisning och säkerhetsanvisning har beaktats. Fläktar för ventilation i luftbehandlingssystem med luft från icke explosionsfarligt utrymme. Vid montering i ouppvärmade utrymmen skall fläkten isoleras så att kondensutfällning undviks. Fläktar är produkter som är avsedda att tas i bruk endast efter inbyggnad, kanalanslutning eller att produkten försetts med beröringsskydd. (EN ISO 13857). På fläktar som har kanalanslutningar ska kanaler monteras på sug-/trycksida. Efter installation/kanalanslutning ska beröring av rörliga delar ej vara möjlig. Fläktarna får ej användas i explosiv miljö eller anslutas till rökgas kanal. Fläktarna får ej monteras utomhus (gäller ej TFSR/TFSK EC, K EC). Säkerhetsdetaljer (t.ex. beröringsskydd) får ej demonteras. Takfläktar och KBT EC är avsedda endast för användning som frånluftsfläktar. Produkten kan användas av barn från åtta år och uppåt och av personer med någon typ av funktionshinder eller som inte har tillräcklig erfarenhet eller kunskap för att använda den om de är under uppsikt av och har fått anvisningar om handhavandet av produkten av någon med ansvar för deras säkerhet. Barn ska hållas under uppsikt så att de inte leker med produkten. Låt inte barn använda, rengöra eller underhålla produkten utan vuxens överinseende. Vidta nödvändiga åtgärder för att förhindra bakströmning av förbränningsgaser genom rökgångar för andra anordningar i samma rum, avsedda för förbränning av gas eller andra bränslen. Utrustningen måste anslutas till en fast installerad nätspänningsbrytare. OBS! Innan service och underhåll påbörjas måste fläktarna göras spänningslösa, allpolig brytning, och fläkthjulet ha stannat. OBS! Fläktarna kan ha vassa kanter och hörn, vilket kan orsaka skärskador. OBS! Iaktta försiktighet vid öppnande av fläktarnas serviceluckor, då fläkt med motor monterad på serviceluckan kan vara relativt tung. Fläktn motorn har ett inbyggt skydd för låst rotor, vilket innebär att motorn, när den känner att rotorn står still försöker starta igen med ett förprogrammerat intervall. När blockeringen har avlägsnats startar motorn av sig själv utan vidare åtgärd. Vid höga temperaturer i motorn kommer strömmen till motorn att brytas. Fläkten kan då endast återstartas efter att den gjorts spänningslös under några minuter.

Transport och lagring

Samtliga fläktar som levereras från Systemair är emballerade för att klara normal godshantering. Vid godshantering använd lämplig lyftanordning för att undvika skador på fläktar och personer. OBS! Lyft ej fläktarna i motorkabel, kopplingsdosa, fläkthjul eller insugningskåpa. Undvik slag och stötar. Fläktarna ska lagras torrt och väderskyddat och skyddas från smuts och damm före slutlig installation. Tillåtna lagringstemperaturer: -40...+80°C

Installation

Se även avsnitt säkerhet. Installation, elektrisk anslutning samt idrifttagande ska göras av behörig installatör och utföras i enlighet med för installationen gällande föreskrifter och krav. Elektrisk anslutning ska göras enligt kopplings-scheman i kopplingsdosa, märkning på kopplingsplint eller på kabel. Täta alla tomma kabelgenomföringar med blindpluggar. Anslutningsdosa ska på K-EC fläktar monteras i en position rakt upp ± 90 grader. Om fast installation sker med kabel som har diam. 12-14mm så måste införings-bussningen bytas, gäller typ K-EC. Montera fläkten i rätt luftriktning (se luftriktningsspil). Fläkten ska monteras så att vibrationer ej kan överföras till kanalsystem och byggnadsstomme. (För ändamålet finns fästklammer som tillbehör). Fläktar kan monteras i valfritt inbyggnadsläge om annat ej anges. Fläkten ska monteras på ett stadigt och stabilt sätt. Fläkten ska monteras så att service och underhåll kan utföras på ett enkelt och säkert sätt. Ljudproblem kan förebyggas genom installation av ljuddämpare (finns som tillbehör). Fläktar är avsedda för kontinuerlig drift inom angivna temperaturområden.

För kopplingschema gäller följande färger på signalkablar:

White = Vit, Red = Röd, Yellow = Gul, Blue = Blå, Green = Grön, Gray = Grå, Brown = Brun

För matningskablar gäller:

Black = Svart, Blue = Blå, Yellow/green = Gul/grön.

För fläktar som återställs genom att göra fläkten spänningslös så måste detta beaktas vid inkoppling av kringutrustning som bryter och kopplar in strömmen automatiskt.

EC motorer har en läckström till jord på $\leq 3,5$ mA. Detta ska beaktas vid installation tillsammans med jordfelsbrytare.

Inbyggd potentiometer

Den inbyggda potentiometern är förinställd från fabrik (**Fig. 1-15**). Detta värde går att ändra manuellt för att få annat rpm/luftflöde. Se fläktdiagram för detta ändamål i tabellen på sid. 11-25 (**Fig. 1-15**) med inkluderade spänningssteg till höger om potentiometersymbolerna. En extern potentiometer kan anslutas till plint vid behov. Den interna potentiometern skall då kopplas bort från plint.

Tacometerutgång (Tach output)

Plint nr. 1 i ovan anslutningsscheman (vit signal kabel), möjliggör inkoppling av varvräknare (en puls per rotation), extern styrning, larm, eller varvtalsdisplay. Tacometern sänder en signal med max 10mA.

Drift

Före idrifttagande kontrollera följande:

- Elektrisk anslutning är slutförd.
- Skyddsjorden ansluten.

- Säkerhetsutrustning monterad (beröringsskydd).
- Inga främmande föremål finns i fläkten.
- Vid idrifttagande kontrollera följande:
- Att uppmätta data ej överstiger på fläktens typskylt angivna märkdata: Maximalt tillåten spänning +6%, -10 %, enligt IEC 38. Märkströmmen får ej överskridas med mer än 5 % vid märkspänning.
- Att inga missljud hörs från fläkten.
- Fläktar i drift får endast handhas av person som har kunskap eller utbildning för detta, eller att handhavande sker under överinseende av sådan person.

Underhåll, service och reparation

Innan service, underhåll eller reparation påbörjas måste:

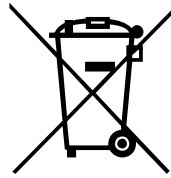
- Fläkten göras spänningslös (allpolig brytning).
 - Fläkthjulet stannat.
 - Gällande säkerhetsföreskrifter beaktats.
- Fläkten ska rengöras vid behov, dock minst 1 gång/år för att undvika obalans med onödiga lagerskador som följd. Med ett filter monterat före fläkten kan rengöringsintervallet förlängas. (Användande av andningsskydd vid byte av filter rekommenderas). Fläktens lager är underhållsfria och ska endast bytas vid behov. Vid rengöring av fläkten får högtryckstvätt ej användas. Rengöring måste ske försiktigt så att fläkthjulets balansvikter ej rubbas eller fläkthjulet

deformeras. Kontrollera att inga missljud hörs från fläkten.

Om fläkten har stannat gäller följande:

- Prova att återstarta genom att göra fläkten spänningslös under några minuter.
- Kontrollera att fläkthjulet inte är blockerat. Ev. blockering avlägsnas efter att strömmen brutits. Kontrollera att fläkten startar när strömmen kopplas åter. Om fläkten efter kontroll och/eller återställning inte startar, kontakta ert inköpställe.

Avfallshantering och återvinning



Bostadsprodukter med denna symbol på märkplåten uppfyller kraven i WEEE-direktivet. Vid avfallshantering av aggregatet ska lokala regler och föreskrifter följas. Produktens förpackningsmaterial är återvinningsbart och kan återanvändas. Släng inte med hushållsavfall.

Demonteringsanvisningar för märkta komponenter (till exempel fläktar) finns på komponenttillverkarens webbplats.

EU-Konformitätserklärung

Hersteller



Systemair Sverige AB
 Industrivägen 3
 SE-73930 Skinnskatteberg SCHWEDEN
 Büro: +46 222 440 00 Fax: +46 222 440 99
www.systemair.com

bestätigt hiermit, dass die folgenden Produkte einschließlich Sileo Versionen:

Rohrventilatoren mit Rundverbindung: K 100-315L EC, KVK Slim 100-160 EC, KD 315-400 EC, prio 450-500 EC, KV DUO 150-500 EC

Rohrventilatoren mit quadratischer Verbindung: RS 30-15-100-50 EC, RSI 60-35-100-50 EC

Schallgedämmte Rohrventilatoren mit Rundverbindung: KVK Silent 125-160 EC

Dachventilatoren mit Rund- oder rechteckiger Verbindung: TFSR /TFSK 160-200 EC

Thermoventilateurs: KBT 160-250 EC

(Die Erklärung gilt nur für diese Produkte, wenn sie in die Einrichtung geliefert und dort gemäß den dazugehörigen Installationsanweisungen installiert wurden. Die Versicherung deckt keine Komponenten ab, die hinzugefügt wurden, oder Handlungen, die nachfolgend am Produkt vorgenommen wurden.)

Mit allen geltenden Anforderungen der folgenden Richtlinien im Einklang stehen

<ul style="list-style-type: none"> • Maschinenrichtlinie 2006/42/EG • Niederspannungsrichtlinie 2014/35/EU • EMV-Richtlinie 2014/30/EU • RoHS-Richtlinie 2011/65/EU (Geräte für Wohnbereiche) 	<ul style="list-style-type: none"> • Ökodesign-Richtlinie 2009/125/EG 327/2011 Anforderungen an Ventilatoren über 125 W 1253/2014 Anforderungen an Lüftungsgeräte über 30 W 1254/2014 Anforderungen an die Energieverbrauchskennzeichnung für Wohnraumlüftungsgeräte
---	---

Die folgenden harmonisierten Normen gelten für die entsprechenden Teile:

EN ISO 12100:2010	Sicherheit von Maschinen – Allgemeine Gestaltungsleitsätze – Risikobeurteilung und Risikominderung.
EN 13857	Sicherheit von Maschinen - Sicherheitsabstände gegen das Erreichen von Gefährdungsbereichen mit den oberen oder unteren Gliedmaßen.
EN 60.335-1	Elektrische Geräte für den Hausgebrauch und ähnliche Zwecke - Sicherheit Teil 1: Allgemeine Anforderungen.
EN 60.335-2-80	Elektrische Geräte für den Hausgebrauch und ähnliche Zwecke - Sicherheit - Teil 2-80: Besondere Anforderungen für Ventilatoren.
EN 62233	Verfahren zur Messung der elektromagnetischen Felder von Haushaltsgeräten und ähnlichen Elektrogeräten im Hinblick auf die Sicherheit von Personen in elektromagnetischen Feldern.
EN 50 106:2007	Sicherheit elektrischer Geräte für den Hausgebrauch und ähnliche Zwecke - Besondere Regeln für Stückprüfungen von Geräten im Anwendungsbereich der EN 60 335-1 und EN 60967
EN 60529	Schutzarten durch Gehäuse (IP Code).
EN 60.204-1	Sicherheit von Maschinen - Elektrische Ausrüstung von Maschinen - Teil 1: Allgemeine Anforderungen
EN 60730-1	Automatische elektrische Regel- und Steuergeräte für den Hausgebrauch und ähnliche Anwendungen - Teil 1: Allgemeine Anforderungen
EN 61000-6-2	Elektromagnetische Verträglichkeit (EMV) - Teil 6-2: Fachgrundnorm - Störfestigkeit für Industriebereiche
EN 61000-6-3	Elektromagnetische Verträglichkeit (EMV) - Teil 6-3: Fachgrundnorm - Störaussendung Fachgrundnorm für Wohnbereich, Geschäfts- und Gewerbebereich sowie Kleinbetriebe

Skinnskattberg 17-08-2018



Mats Sándor
 Technischer Direktor

Sicherheitshinweise

Diese Maschinen dürfen nur in Betrieb genommen werden, wenn zuvor die Montage-, Betriebsanleitung und die Sicherheitsvorschriften gelesen wurden. Alle Ventilatoren sind zur Förderung von Luft in Lüftungssystemen geeignet. Um Kondensation zu vermeiden sollten Ventilatoren die in unbeheizten Räumen installiert sind, zusätzlich isoliert werden. Der Betrieb der Ventilatoren ist erst nach erfolgtem Einbau in Maschinen oder Kanalsysteme oder nach dem Einbau eines Berührungsschutzgitters vorgesehen (EN ISO 13857). Ventilatoren mit Kanalanschluss müssen an beiden Seiten (Zu-/Abluft) an die Kanäle angeschlossen werden. Nach dem Einbau sollten keine beweglichen Teile mehr zugänglich sein. Die Ventilatoren dürfen nicht in gefährlichen Bereichen betrieben und nicht an Flüssigkeit leitende Kanäle angeschlossen werden. Die Ventilatoren dürfen nicht im Freien angebracht werden (außer TFSR/TFSK EC, K EC). Sicherheitszubehör (z.B. Schutzgitter) dürfen nicht entfernt werden. Dachventilatoren und KBT EC sind ausschließlich für Abluftanwendungen vorgesehen.

Dieses Gerät kann von Kindern ab 8 Jahren sowie von Personen mit eingeschränkten körperlichen, sensorischen bzw. geistigen Fähigkeiten, mangelnder Erfahrung bzw. fehlendem Wissen verwendet werden, sofern diese eine Beaufsichtigung bzw. Anweisung für die Nutzung des Geräts erfahren haben und die damit verbundenen Gefahren verstehen. Kinder dürfen nicht mit dem Gerät spielen. Die Reinigung und Benutzerwartung darf nicht unbeaufsichtigt von Kindern durchgeführt werden.

Vorsichtsmaßnahmen sind zu ergreifen, um die Rückströmung von Abgasen aus Abzügen von anderen, im gleichen Raum installierten Geräten, die mit Gas oder anderen Kraftstoffen gefeuert werden, zu verhindern.

Das Gerät muss in der festen Installation an einen Haupt-Lasttrennschalter angeschlossen werden. **ACHTUNG!** Vor Wartungsarbeiten muss die Stromzufuhr abgestellt werden (allpolige Stromunterbrechung; Absicherung gegen unbeabsichtigtes Wiedereinschalten). Das Laufrad muss beim Öffnen absolut stillstehen, ansonsten besteht Verletzungsgefahr. **ACHTUNG!** Die Ventilatoren können scharfe Kanten oder Ecken haben, es besteht Verletzungsgefahr. **ACHTUNG!** Die Wartungstüren (bei aufklappbaren Ventilatoren) nur vorsichtig öffnen, da das Motorlüfterrad, welches auf der Tür montiert ist, sehr schwer sein kann. Der Ventilatormotor ist mit ein Schutz für blockierten Rotor ausgerüstet. Der Motor versucht mit einem vorprogrammierten Intervall den Rotor wieder anzulaufen. Das wiederholt sich bis die Blockierung entfernt ist, danach startet der Motor von allein wieder auf. Bei hohen Temperaturen wird die Stromversorgung des Motors unterbrochen. Der Ventilator kann dann nur wieder gestartet werden nachdem er ein paar Minuten spannungslos gemacht wird.

Transport und Lagerung

Alle Ventilatoren sind werksseitig so verpackt, dass sie gegen normale Transportbelastungen geschützt sind. Verwenden Sie geeignetes Hebematerial beim Transport der Geräte, um Schäden an Personen oder Material zu vermeiden. Transportieren Sie die Geräte nicht am Anschlusskabel, am Klemmkasten, am Laufrad oder an der Einströmdüse. Vermeiden Sie Belastungen durch Schläge und Stöße. Lagern Sie die Ventilatoren bis zur endgültigen Installation an einem trockenen, wetter- und staubgeschützten Ort. Zugelassene Lagerungstemperaturen: -40...+80°C.

Montage

Die oben genannten Sicherheitshinweise sind einzuhalten. Die Montage und der elektrische Anschluß darf nur durch autorisiertes Fachpersonal und in Übereinstimmung mit den gültigen Vorschriften durchgeführt werden. Die Elektroanschlüsse im Klemmenkasten sind gemäß dem Schaltbild im Klemmenkasten, den Markierungen auf den Kabeln oder den Klemmen vorzunehmen. Versehen Sie alle leeren Kabelverschraubungen mit Blindstopfen. K-EC Ventilatoren müssen mit dem Klemmkasten oben am Gerät $\pm 90^\circ$ angebracht werden. Werden für einen dauerhaften Betrieb Kabel mit einem Durchmesser von 12 - 14 mm verwendet, muss die Kabeldurchführung ausgetauscht werden (dies gilt für Typ K-EC).

Montieren Sie den Ventilator in der richtigen Luftströmungsrichtung (siehe Pfeil auf dem Gerät). Der Ventilator muss so eingebaut werden, dass keine Vibrationen auf das Kanalsystem oder den Gehäuserahmen übertragen werden können. (Passendes Zubehör wie z.B.

Verbindungsmanchetten ist verfügbar). Stellen Sie sicher, dass der Ventilator fest und stabil eingebaut ist. Falls nichts anderes angegeben ist, kann der Ventilator in jeder Einbaulage montiert werden. Die Ventilatoren müssen so eingebaut sein, dass eine Reparatur und Wartung problemlos und sicher möglich ist. Störende Geräusche können durch den Einbau von Schalldämpfern vermieden werden (als Zubehör erhältlich).

Die angegebene Temperatur ist die Temperatur, bei der der Ventilator dauerhaft betrieben werden kann. Ventilatoren die durch Stromunterbruch rückgestellt werden müssen in Betracht gezogen werden, wenn Zubehör mit automatischer AN/AUS Funktion angeschlossen wird.

EC Motoren haben en Leckstrom zu Erde entsprechend $\leq 3,5$ mA. Dies soll bei Installation zusammen mit Erdschlussrelais beachtet werden.

Internes Potentiometer

Der eingebauter Potentiometer ist Werksseitig eingestellt. (**Fig. 1-15**). Der Wert kann manuell geändert werden um eine Änderung der Drehzahl/Ventilatorleistung zu erreichen. In der Tabelle auf Seite 11-25 (**Fig. 1-15**) sind Ventilator Kennlinien für diesen Zweck mit eingezeichneten Spannungsstufen rechts von den Potentiometersymbolen dargestellt.

Ein externes Potentiometer kann bei Bedarf angeschlossen werden. Hierzu wird das interne Potentiometer von den Klemmen abgeklemmt.

Tacho Ausgang (Tach Output)

Anschluß Nr. 1 im Schaltbild (weißes Signalkabel) erlaubt einen Anschluß des Drehzahlimpuls (1 Impuls/Umdrehung) an eine Drehzahlüberwachung, Alarm oder Drehzahlanzeige. Der Tacho sendet ein Signal mit max 10mA.

Betrieb

Überprüfen Sie folgendes vor der ersten Inbetriebnahme:

- wurde der elektrische Anschluss korrekt vorgenommen
- wurde der Schutzleiter angeschlossen
- befinden sich die Schutzeinrichtungen an entsprechender Stelle
- wurde von der Installation übriggebliebenes Material oder sonstige Fremdkörper vom Gehäuse entfernt

Bei Inbetriebnahme überprüfen Sie bitte: Stimmen die Anschlussdaten mit den Angaben auf dem Typenschild überein? Spannungstoleranzen sind gemäß IEC 38 mit maximal +6% oder -10% zulässig. Der Nennstrom darf die Nennspannung nur um maximal 5 % übersteigen.

- Läuft der Motor ruhig? (keine ungewöhnlichen Geräusche)
- Die Inbetriebnahme der Ventilatoren darf nur von ausgebildetem Fachpersonal erfolgen oder muss von diesem beaufsichtigt werden.

Wartung, Überprüfung und Reparatur

Vor Wartung, Überprüfung oder Reparatur ist sicherzustellen:

- Die Stromzufuhr ist unterbrochen (allpolig).
- das Laufrad ist komplett zum Stillstand gekommen
- die Sicherheitsvorschriften wurden eingehalten!

Um eine Unwucht der Lager zu vermeiden, sollte der Ventilator wenn notwendig mindestens einmal jährlich gereinigt werden. Ein Filter verlängert die Reinigungsintervalle (Gegebenenfalls wird die Installation einer Filterüberwachung empfohlen). Die Ventilatorlager sind wartungsfrei und sollten nur im Schadensfall ausgetauscht werden. Verwenden Sie keine Hochdruckreiniger (Dampfstrahler) zum Reinigen des Ventilators. Versichern Sie sich, dass die Wuchtgewichte des Ventilatorlaufrades sich nicht verschoben haben, und dass das Laufrad nicht verbogen ist. Achten Sie auf ungewöhnliche Betriebsgeräusche.

Falls der Ventilator nicht läuft gilt folgendes:

- Versuch den Ventilator indem man die Stromzufuhr einige Minuten unterbricht wieder anzulaufen.
- Überprüfen Sie, ob das Laufrad blockiert ist. Ev. Blockierung wird nachdem die Stromzufuhr unterbrochen ist entfernt. Kontrollieren Sie dass der Ventilator wieder anläuft nachdem der Strom wieder eingeschaltet ist. Nehmen Sie Kontakt mit Ihrem Lieferanten auf, falls der Motor nach Überprüfung und/oder Rückstellung nicht wieder anläuft.

Entsorgung und Recycling



Produkte für Wohnbereiche mit diesem Symbol auf dem Typenschild entsprechen der WEEE-Richtlinie. Befolgen Sie bei der Entsorgung des Geräts die lokalen Regelungen und Vorschriften.

Das Verpackungsmaterial dieses Produkts ist recyclingfähig und kann wiederverwendet werden. Nicht im Hausmüll entsorgen.

Bei Komponenten mit einer Kennzeichnung, wie z.B. Ventilatoren, finden Sie die Demontageanleitung auf der Website des Komponentenherstellers.

EU-Overensstemmelseserklæring

Producent



Systemair Sverige AB
 Industrivägen 3
 SE-73930 Skinnskatteberg Sverige
 Kontor: +46 222 440 00 Fax: +46 222 440 99
www.systemair.com

Erklærer hermed, at følgende produkter herunder Sileo versioner:

Kanalventilatorer til cirkulær tilslutning: K 100-315L EC, KVK Slim 100-160 EC, KD 315-400 EC, prio 450-500 EC, KV DUO 150-500 EC

Kanalventilatorer til rektangulær tilslutning: RS 30-15-100-50 EC, RSI 60-35-100-50 EC

Isolerede kanalventilatorer til cirkulær tilslutning: KVK Silent 125-160 EC

Tagventilatorer med cirkulær eller rektangulær tilslutning: TFSR/TFSK 160-200 EC

Varmeventilatorer: KBT 160-250 EC

(Erklæringen gælder kun for produktet i den stand, det blev leveret og installeret i anlægget iht. den medfølgende installationsvejledning. Forsikringen dækker ikke eftermonterede dele eller efterfølgende indgreb i produktet)

Alle gældende krav i følgende direktiver skal overholdes

	• Maskindirektivet 2006/42/EC	• Direktiv 2009/125/EF om miljøvenligt design
• Lavspændingsdirektivet 2014/35/EU		327/2011 Krav til ventilatorer med en indgangseffekt på over 125 W
• EMC-direktivet 2014/30/EU		1253/2014 Krav til ventilationsaggregater med en indgangseffekt på over 30 W
• RoHS-direktivet 2011/65/EU (husholdningsenheder)		1254/2014 Krav til energimærkning af ventilationsaggregater til boliger

Følgende harmoniserede standarder anvendes i relevant omfang:

EN ISO 12100:2010	Maskinsikkerhed – Generelle principper for udformning – Risikovurdering og risikoreduktion.
EN 13857	Maskinsikkerhed – Sikkerhedsafstande der forebygger, at fareområder er tilgængelige for brugerens arme eller ben.
EN 60 335-1	Husholdningsapparater og lignende elektriske apparater – Sikkerhed – Del 1: Generelle krav.
EN 60 335-2-80	Husholdningsapparater og lignende elektriske apparater – Sikkerhed – Del 2-80: Særlige krav for ventilatorer.
EN 62233	Metoder til måling af elektromagnetiske felter i husholdningsapparater og lignende med hensyn til eksponering af mennesker.
EN 50.106:2007	Sikkerhed for husholdningsapparater og lignende – Særlige regler for rutinetest vedrørende apparater, der er omfattet af EN 60 335-1 og EN 60967.
EN 60529	Kapslingsklasser (IP-kode).
EN 60.204-1	Maskinsikkerhed – Elektrisk udstyr på maskiner – Del 1: Generelle krav.
EN 60730-1	Automatiske elektriske styringer til husholdningsbrug og lignende brug – Del 1: Generelle krav.
EN 61000-6-2	Elektromagnetisk kompatibilitet (EMC) – Del 6-2: Generiske standarder – Immunitetsstandard for industrielle miljøer.
EN 61000-6-3	Elektromagnetisk kompatibilitet (EMC) – Del 6-3: Generiske standarder – Emissionsstandarder for bolig-, erhvervs- og lette industrimiljøer.

Skinnskatteberg 17-08-2018



Mats Sándor
 Teknisk direktør

Sikkerhed

Monteringsanvisningerne og sikkerhedsforskrifterne skal læses, før maskinen tages i drift.

Alle ventilatorerne er beregnet til transport af luft i ventilationssystemer. Hvis ventilatorerne er installeret i uopvarmede rum, skal de isoleres for at undgå kondensvand og fugt. De er beregnet til at blive taget i brug, efter at de er indbygget i maskiner eller kanaler, eller efter at de er forsynet med et beskyttelsesnet (EN ISO 13857). Ventilatorer med flanger til kanaler skal have monteret kanaler på både tilluft- og fralufts side. Installationen skal udføres, så berøring med bevægelige dele er umulig. Ventilatorerne må ikke anvendes i eksplosive miljøer eller tilsluttes røggaskanaler. Ventilatorerne må ikke installeres udendørs (undtagen TFSR/TFSK EC, K EC). Sikkerhedsdetaljer, f.eks. motorbeskyttelse, må ikke undlades, og beskyttelsesnet må ikke afmonteres. Tagventilatorer og KBT EC er udelukkende beregnet til udsugning.

Dette aggregat kan anvendes af børn fra 8 år og derover samt personer med nedsat fysisk eller psykisk funktionsevne eller med manglende erfaring og viden, hvis de er blevet instrueret i sikker brug af aggregatet og forstår de dermed forbundne risici. Børn må ikke lege med aggregatet. Rengøring og vedligeholdelse må ikke foretages af børn, medmindre de er under opsyn.

Der skal træffes foranstaltninger til hindring af tilbageløb af udstødningsgasser fra røggaskanaler eller andre gas- eller brændstofdrevne apparater, der er installeret i samme lokale.

Apparatet skal kobles til en hovedafbryder i den faste installation.

FORSIGTIG! Inden service og vedligeholdelse påbegyndes, skal spændingen være afbrudt og ventilatorhjulet stoppet. **FORSIGTIG!** Ventilatorerne kan have skarpe kanter og hjørner, som kan forårsage personskader. **FORSIGTIG!** Udvis forsigtighed ved åbning af servicedøren på modeller, hvor ventilator og motor er monteret i døren, fordi døren kan være relativ tung (gælder KVKE, KVO).

Ventilatormotoren er forsynet med beskyttelse for blokeret ventilatorhjul, så motoren vil forsøge at genstarte med et foruddefineret interval, når den registrerer, at ventilatorhjulet er standset. Når blokeringen er afhjulpel, starter ventilatoren automatisk uden yderligere indgreb. Ved høje motortemperaturer afbrydes strømmen til motoren. Den kan da kun genstartes ved manuelt at afbryde strømforsyningen til ventilatoren et par minutter.

Transport og opbevaring

Samtlige ventilatorer er emballeret til at kunne klare almindelig godshåndtering. Anvend en egnet løfteanordning ved håndteringen. Løft ikke ventilatorerne i motorkabel, koblingsdåse, ventilatorhjul eller indløbskonus. Undgå slag og stød. Ventilatorerne skal opbevares tørt og vejrbeskyttet, samt beskyttet mod smuds og fugt før endelig

installation. Tilladt opbevaringstemperatur -40...+80 °C.

Installation

Se afsnittet om sikkerhed ovenfor. Installation, elektrisk tilslutning samt drifts-start skal udføres af en autoriseret installatør og skal udføres i overensstemmelse med de for installationen gældende regler og krav. Elektrisk tilslutning skal udføres ifølge eldiagrammet i koblingsdåsen, mærkningen på klemrækken eller på kablet. Forsegl alle tomme kabelforskrutninger med blindpropper. K-EC-ventilatoren skal monteres med klemmekassen oven på ventilatorhuset i en vinkel på ± 90 grader. Hvis kablet fra den faste installation har en diameter på 12-14 mm, skal forskruingen i klemmekassen udskiftes (gælder for K-EC). Monter ventilatoren i den korrekte luftretning (se luftretningsspil). Ventilatoren skal monteres sikkert og stabilt og på en sådan måde, at vibrationer ikke overføres til kanalsystemet eller bygningskonstruktionen. For vibrationsdæmpningen til kanaler findes montagebøjler og flexforbindelser som tilbehør. Kontroller, at ventilatoren er monteret sikkert og stabilt. Nogle ventilatortyper kan monteres valgfrit med luftretning op, ned, vandret eller enhver anden retning. Ventilatoren skal monteres, så service og vedligeholdelse kan udføres enkelt og sikkert. Støjproblemer kan undgås ved brug af lyd-dæmpere, der fås som tilbehør.

Ventilatorerne er beregnet for kontinuerlig drift inden for det angivne temperaturområde.

Ventilatorer, som genstartes ved at afbryde spændingen, fordrer øget opmærksomhed med, om ventilatoren stopper, fordi et automatisk ur-anlæg i bygningen stopper ventilatoren automatisk, eller om motoren bliver stoppet af termosikringen. Når termosikringen er blevet aktiveret, er der en fejl, som skal identificeres og rettes.

EC-motorer har lækstrøm til stel svarende til $\leq 3,5$ mA. Dette skal der tages højde for, når ventilatoren forbindes med en jordfejlsafbryder.

Integreret potentiometer

Det integrerede potentiometer er indstillet fra fabrikken (**Fig. 1-15**). Denne værdi kan ændres manuelt for at opnå et andet motoromdrejningstal eller en anden ventilatorydelse.

Ventilatorydelsesdiagrammer til dette formål inklusive spændingstrin fremgår af tabellen på side 11-25 (**Fig. 1-15**) til højre for potentiometersymbolerne. Et eksternt potentiometer kan tilsluttes om nødvendigt. I givet fald skal det interne potentiometer afbrydes fra tilslutningsklemmerne.

Udgang til omdrejningstæller

Klemme nr. 1 i eldiagrammerne (hvidt signalkabel) gør det muligt at tilslutte en omdrejningstæller (én impuls pr. omdrejning), en controller, en alarm eller et omdrejningstællerdisplay. Omdrejningstælleren sender et signal med maks. 10 mA.

Drift

Kontroller følgende før driftsstart:

- Elektrisk tilslutning er udført forskriftsmæssigt.
- Jordforbindelse er monteret.
- Eventuelt beskyttelsesnet er monteret.
- Ingen uvedkommende ting befinder sig i ventilatoren.

Kontroller følgende ved ibrugtagning:

- At den målte optagne effekt ikke overstiger den effekt, der er angivet på ventilatorens typeskilt: Tilladt maks. +6%, -10% ifølge IEC 38. Mærkestrømmen må ikke overskrides med mere end 5% ved en optimeret drift.
- At der ikke er mislyde fra motor eller hjul.
- Ventilatorerne må kun betjenes af personer, som har indgående kendskab til eller uddannelse inden for dette fagområde. Hvis det ikke er tilfældet, skal betjening udføres på grundlag af vejledning fra en person med kendskab eller uddannelse inden for dette fagområde.

Vedligeholdelse, service og reparation

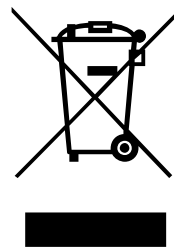
Inden service, vedligeholdelse eller reparation påbegyndes skal:

- Spændingen være afbrudt på alle poler.
- Ventilatorhjulet være standset.
- Gældende sikkerhedskrav være opfyldt.
- Ventilatoren skal rengøres efter behov, dog mindst en gang om året, for at undgå ubalance med unødvendige lejeskader som følge. Et filter forlænger rengøringsintervallet. Nogle gange kan det anbefales at installere en filtervagt. Ventilatorens lejer er vedligeholdelsesfri og skal kun skiftes efter behov.

Ved rengøring af ventilatoren må højtryksspuling ikke anvendes. Rengøring skal ske så forsigtigt at ventilatorhjulets balancevægte ikke forskubbes eller hjulet får deformiteter. Kontroller, at der ikke kommer mislyde fra ventilatoren.

Følgende gælder, i tilfælde af at ventilatoren er stoppet:

- Forsøg at genstarte ventilatoren ved at afbryde strømmen et par minutter.
- Kontroller, at ventilatorhjulet ikke er blokeret. En eventuel blokering er blevet afhjulpet, efter at strømmen er blevet afbrudt. Kontroller, at ventilatoren starter, når strømmen er blevet slået til igen. Hvis ventilatoren stadig ikke starter, skal du henvende dig der, hvor du har købt den.



Bortskaffelse og genbrug

Husholdningsprodukter med dette symbol på typeskiltet er i overensstemmelse med WEEE-direktivet. Ved bortskaffelse af aggregatet skal de lokale love og bestemmelser overholdes. Produktets emballagematerialer kan genanvendes. Må ikke bortskaffes som husholdningsaffald.

For komponenter med etiket, som for eksempel ventilatorer, kan demonteringsinstruktionerne findes på komponentfabrikantens hjemmeside.

Declaración UE de Conformidad

Fabricante



Systemair Sverige AB
Industrivägen 3
SE-73930 Skinnskatteberg SUECIA
Oficina: +46 222 440 00 Fax: +46 222 440 99
www.systemair.com

por el presente confirma que los siguientes productos incluyendo versiones Sileo:

Ventiladores de conducto con conexión circular: K 100-315L EC, KVK Slim 100-160 EC, KD 315-400 EC, prio 450-500 EC, KV DUO 150-500 EC

Ventiladores de conducto con conexión rectangular: RS 30-15-100-50 EC, RSI 60-35-100-50 EC

Ventiladores de conducto aislado con conexión circular: KVK Silent 125-160 EC

Ventiladores de tejado con conexión circular o cuadrada: TFSR /TFSK 160-200 EC

Extractores de aire caliente: KBT 160-250 EC

(La declaración únicamente será de aplicación a los productos entregados en la misma condición en la que se entregaron e instalaron siguiendo las instrucciones de instalación incluidas. El seguro no cubre los componentes añadidos o las acciones realizadas posteriormente sobre el producto).

Cumple con todos los requisitos aplicables según las siguientes directivas

<ul style="list-style-type: none"> • Directiva de máquinas 2006/42/CE • Directiva de baja tensión 2014/35/UE • Directiva de compatibilidad electromagnética 2014/30/UE • Directiva RoHS 2011/65/UE (unidades residenciales) 	<ul style="list-style-type: none"> • Directiva 2009/125/CE en materia de diseño ecológico <p>327/2011 Requisitos para ventiladores de más de 125 W 1253/2014 Requisitos para unidades de ventilación de más de 30 W 1254/2014 Requisitos para el etiquetado energético de unidades de ventilación residenciales</p>
---	--

UNE-EN ISO 12100:2010	Seguridad de las máquinas. Principios generales para el diseño. Evaluación del riesgo y reducción del riesgo.
EN 13857	Seguridad de las máquinas: Distancias de seguridad para prevenir el contacto de los miembros superiores o inferiores con zonas peligrosas.
EN 60 335-1	Electrodomésticos o dispositivos eléctricos similares: Seguridad. Parte 1: Requisitos generales.
EN 60 335-2-80	Electrodomésticos o dispositivos eléctricos similares: Seguridad. Parte 2-80: Requisitos específicos para ventiladores.
UNE-EN 62233	Métodos de medida de los campos electromagnéticos de los aparatos electrodomésticos y análogos en relación con la exposición humana.
EN 50 106:2007	Seguridad de electrodomésticos y dispositivos similares: Normas específicas para las pruebas rutinarias referentes a los dispositivos bajo el marco de las normas EN 60 335-1 y EN 60967.
UNE 60529	Grados de protección proporcionados por las envolventes (Código IP).
EN 60.204-1	Seguridad de las máquinas: Equipamiento eléctrico de las máquinas. Parte 1: Requisitos generales.
EN 60730-1	Controles eléctricos automáticos para electrodomésticos o usos similares: Seguridad. Parte 1: Requisitos generales.
EN 61000-6-2	Compatibilidad electromagnética (CEM). Parte 6-2: Normas genéricas. Inmunidad para ambientes industriales.
EN 61000-6-3	Compatibilidad electromagnética (CEM). Parte 6-3: Normas genéricas. Normas de emisión para ambientes residenciales, comerciales y de industria ligera.

Skinnskattberg 17-08-2018

Mats Sándor
Director técnico

Información de seguridad

Antes de poner en marcha la máquina, lea las instrucciones de montaje y la información de seguridad.

Todos los ventiladores están diseñados para impulsar aire por las unidades de tratamiento de aire. Si se instalan en estancias sin calefacción, la carcasa debe cubrirse con aislamiento para evitar que se forme condensación. Los ventiladores solamente deben utilizarse una vez instalados en las máquinas o sistemas de conductos o después de cubrirlos con rejillas de protección para evitar el contacto (EN ISO 13857). Los ventiladores con conexiones a conducto deben conectarse en ambos lados (entrada y salida). Terminada la instalación no habrá piezas móviles accesibles. Los ventiladores no se deben utilizar en entornos peligrosos ni conectarse a chimeneas. Tampoco se deben instalar en exteriores (salvo los modelos TFSR/TFSK EC, K EC). Los accesorios de seguridad (como las rejillas de seguridad) no se deben desmontar, cortocircuitar ni desconectar. Los ventiladores de techo y KBT EC solo son adecuados para instalaciones de aire de retorno.

Este aparato puede ser utilizado por niños mayores de ocho años y por personas con discapacidades físicas, sensoriales o mentales, o con falta de experiencia y conocimientos, siempre que lo hagan con supervisión o hayan recibido instrucciones sobre su uso seguro y entiendan los peligros que conlleva. No deje que los niños jueguen con el aparato. Tampoco deje que se encarguen de su limpieza o del mantenimiento básico, salvo que lo hagan con supervisión.

Si en la misma estancia hay instalados también aparatos que funcionen con gas u otro combustible, es preciso asegurarse de que los gases y humos que generen no puedan revocar en la estancia.

El aparato se debe conectar a un seccionador de la instalación fija.

¡ATENCIÓN! Antes de realizar tareas de revisión o mantenimiento, desconecte la alimentación (interruptor multipolar) y asegúrese de que el rodete esté completamente parado. ¡ATENCIÓN! Los ventiladores pueden tener bordes afilados que pueden provocar heridas. ¡ATENCIÓN! Tenga cuidado al abrir las tapas de acceso para efectuar el mantenimiento, ya que los ventiladores con el motor instalado en la tapa son relativamente pesados (modelo KVKE, KVO).

El motor del ventilador tiene una protección de rodete bloqueado integrada, lo que significa que el motor intenta arrancar en un plazo de tiempo predefinido siempre que detecta que el rodete está parado.

Cuando se elimina el bloqueo, el ventilador arranca por sí solo sin necesidad de otras medidas. Si la temperatura del motor sube excesivamente, se interrumpe el suministro de corriente al motor. La única forma de ponerlo otra vez en marcha es cortando manualmente la alimentación al ventilador durante un par de minutos.

Transporte y almacenamiento

Todos los ventiladores se empaquetan en la fábrica para que soporten la manipulación normal durante el transporte. Al manipular el material, utilice equipos de elevación adecuados con el fin de evitar que los ventiladores o el personal sufran daños. No levante los ventiladores sujetándolos por el cable de conexión, la caja de conexión, el rodete o el cono de aspiración. Evite que la carga sufra golpes y sacudidas. Almacene los ventiladores en lugar seco y protegido de las inclemencias y de la suciedad hasta su instalación final. El rango admisible de temperaturas de almacenamiento es de -40 a +80°C.

Instalación

Consulte la información de seguridad anterior. La instalación, conexión eléctrica y puesta en marcha sólo pueden ser llevadas a cabo por personal autorizado y de acuerdo con los requisitos correspondientes. La conexión eléctrica debe realizarse según el esquema de la caja de bornas y el marcado de las regletas de bornas o los cables. Sellar los prensaestopas vacíos con tapones ciegos. El ventilador K-EC debe instalarse con la caja de conexiones en la parte superior del equipo ± 90 grados. Si la instalación final se hace con cables de 12-14 mm de diámetro, habrá que cambiar la junta de entrada (sólo modelo K-EC). Monte el ventilador en la dirección del flujo de aire (compruebe la flecha que lleva el equipo). El ventilador debe instalarse de modo que las vibraciones no se transmitan a los conductos o a la estructura del edificio (hay accesorios adecuados para evitarlo, como abrazaderas (bridas) y difusores). Asegúrese de que la fijación del ventilador sea firme y estable. El ventilador se puede montar en cualquier posición, salvo que se indique otra cosa. Los ventiladores se deben montar de tal modo que las revisiones y el mantenimiento se puedan realizar de forma sencilla y segura. Se pueden evitar ruidos molestos instalando un silenciador (accesorio). Los ventiladores están diseñados para uso continuo dentro del rango de temperaturas indicado. Algunos ventiladores se reinician apagando la alimentación, hecho que es preciso tener en cuenta si se conectan equipos complementarios con función de apagado/encendido automática. Los motores EC tienen una corriente de fuga a tierra equivalente a $\leq 3,5$ mA. Este dato debe tenerse en cuenta siempre que el ventilador se conecte con un interruptor de falta a tierra.

Potenciómetro integrado

El potenciómetro integrado está ajustado de fábrica (fig. 1-15). El valor se puede cambiar manualmente para obtener una relación régimen del motor/rendimiento del ventilador diferente. Para facilitar el ajuste, la tabla de la página 11-25 (fig. 1-15) muestra gráficas del rendimiento del ventilador acompañadas de las etapas de tensión, a la derecha de los símbolos de potenciómetro. El procedimiento

requiere desconectar el potenciómetro interno de las bornas de conexión.

Salida para tacómetro

La borna 1 de los esquemas del cableado (cable de señal blanco) permite conectar un tacómetro (un pulso por revolución), controlador, alarma o visualizador de velocidades. El tacómetro envía una señal de 10 mA como máximo.

Funcionamiento

Antes de la primera puesta en marcha, compruebe que:

- La conexión eléctrica esté adecuadamente terminada.
- El conductor de protección esté conectado.
- Los dispositivos de seguridad estén instalados (rejilla protectora).
- No queden materiales sobrantes de la instalación ni objetos extraños dentro de la carcasa.

Al realizar la puesta en marcha, compruebe que:

- Los datos de conexión se correspondan con las especificaciones de la placa de características: tensión máxima +6%, -10%, según IEC 38. La intensidad nominal no debe sobrepasar en más del 5% la tensión nominal.
- El motor funcione con suavidad (sin ruidos anormales).
- El manejo de los ventiladores esté a cargo de una persona con los conocimientos o la formación debidos en la materia o de otra bajo su supervisión directa.

Mantenimiento, revisiones y reparaciones

Antes de iniciar tareas de mantenimiento, revisión o reparación, asegúrese de que:

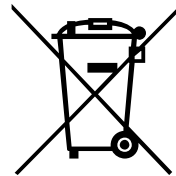
- La alimentación esté desconectada (interruptor multipolar).
- Las palas del ventilador se hayan parado totalmente.
- Se respetan todas las normas de seguridad personal.

El ventilador debe limpiarse siempre que sea necesario y al menos una vez al año para evitar desequilibrios y daños innecesarios en los rodamientos. La instalación de un filtro prolonga los

intervalos de tiempo entre limpiezas del ventilador (a veces es recomendable instalar una rejilla con filtro). Los rodamientos del ventilador son sin mantenimiento y solamente es preciso cambiarlos si se estropean. No utilice un equipo de lavado a presión (chorro de vapor) para limpiar el ventilador. Asegúrese de que los pesos de equilibrado de las palas del ventilador no se desplacen ni las palas se deformen. Preste atención por si se oyen ruidos anormales durante el funcionamiento.

Si el ventilador se ha parado:

- Intente ponerlo de nuevo en marcha cortando la alimentación un par de minutos.
- Compruebe que el rodete no esté bloqueado. Si hay alguna obstrucción, corte la alimentación antes de quitarla. Compruebe que el ventilador se ponga en marcha después de volver a conectar la alimentación. Si sigue sin arrancar, póngase en contacto con el establecimiento de compra.



Eliminación y reciclaje

Los productos para uso doméstico con este símbolo en la placa de identificación cumplen la Directiva RAEE. Cuando elimine la unidad, siga las normas y reglamentos locales.

Los materiales de embalaje de este producto son reciclables y pueden reutilizarse. No los elimine como residuo doméstico.

Puede encontrar las instrucciones de desmontaje para componentes etiquetados como, por ejemplo, ventiladores, en la página web del fabricante del componente..

ELi Vastavusdeklaratsioon

Tootja



Systemair Sverige AB
 Industrivägen 3
 SE-73930 Skinnskatteberg ROOTSI
 Kontor: +46 222 440 00 Faks: +46 222 440 99
www.systemair.com

Käesolevaga kinnitab tootja, et alljärgnevad tooted sealhulgas Sileo versioonid:

Ümartorude ühendusega kanaliventilaatorid: K 100-315L EC, KVK Slim 100-160 EC, KD 315-400 EC, prio 450-500 EC, KV DUO 150-500 EC

Kanalni ventilatori s pravokutnim priključkom: RS 30-15–100-50 EC, RSI 60-35–100-50 EC

Ümartorude ühendusega isoleeritud kanaliventilaatorid: KVK Silent 125-160 EC

Ümartorude või ruudukujulise ühendusega katuseventilaatorid: TFSR /TFSK 160-200 EC

Termoventilaatorid: KBT 160-250 EC

(Deklaratsioon kehtib ainult tootele seisukorras, milles see tarniti ja juhul, kui see paigaldati vastavalt komplektis olnud paigaldusjuhendile. See ei laiene lisatud komponentidele või tegevustele, mis tootega hiljem tehakse)

Vastab järgmiste direktiivide kõigile kohalduvatele nõuetele

<ul style="list-style-type: none"> • Masinadirektiiv 2006/42/EÜ • Madalpingedirektiiv 2014/35/EL • Elektromagnetilise ühilduvuse direktiiv 2014/30/EL • RoHS direktiiv 2011/65/EL (majapidamisseadmed) 	<ul style="list-style-type: none"> • Ökodisaini direktiiv 2009/125/EÜ <p>327/2011 Nõuded ventilaatoritele üle 125 W 1253/2014 Nõuded ventilatsiooniseadmetele üle 30 W 1254/2014 Elamuventilatsiooniseadmete energiamärgistuse nõuded</p>
--	--

Kohalduvate osade puhul on järgitud järgmisi ühtlustatud standardeid:

EN ISO 12100:2010	Masinate ohutus. Projekteerimise, riskide hindamise ja riskide vähendamise üldised põhimõtted.
EN 13857	Masinaohutus – Ohutusvahemikud, mis väldivad käte ja jalgade sattumist ohtlikku alasse
EN 60 335-1	Majapidamis- ja muude taoliste elektriseadmete ohutus – Osa 1: Üldnõuded
EN 60 335-2-80	Majapidamis- ja muud taolised elektriseadmed – Ohutus – Osa 2-80: Erinõuded ventilaatoritele
EN 62233	Inimesele toimivate majapidamis- ja muude taoliste seadmete elektromagnetväljade mõõtmismeetodid.
EN 50 106:2007	Elektriliste majapidamismasinate ja muude taoliste elektriseadmete ohutus – EN 60335-1 ja EN 60967 käsitlusalasse kuuluvate seadmete kontrollkatsetuste erireeglid
EN 60529	Ümbristega tagatavad kaitseastmed (IP kood).
EN 60 204-1	Masinate ohutus – Masinate elektriseadmestik – Osa 1: Üldnõuded
EN 60730-1	Elektrilised automaatjuhtimisseadmed majapidamis- ja muuks taoliseks kasutuseks – Osa 1: Üldnõuded
EN 61000-6-2	Elektromagnetiline ühilduvus – Osa 6-2: Erialased põhistandardid – Häiringukindlus tööstuskeskkondades
EN 61000-6-3	Elektromagnetiline ühilduvus – Osa 6-3: Erialased põhistandardid – Olme-, kaubandus- ja väiketööstuskeskkondade emissioonistandard

Skinnskatteberg 17-08-2018



Mats Sándor
 Tehnikadirektor

Ohutusalane informatsioon

Enne seadme kasutuselevõttu lugege tingimata paigaldusjuhendit ja ohutusnõudeid.

Kõik ventilaatorid on ette nähtud õhu transportimiseks ventilatsioonüsteemides. Kütteta ruumidesse paigaldamisel tuleb ventilaatori korpus isoleerida, et vältida kondensatsiooni teket.

Ventilaatorid on ette nähtud kasutamiseks pärast nende paigaldamist seadmesse või kanalisüsteemidesse või pärast kaitsevõre paigaldamist. (EN ISO 13857). Kanaliühendustega ventilaatorid tuleb kanalitega ühendada mõlemalt küljelt (sissevõtt/väljavool). Pärast paigaldamist ei tohi liikuvad osad jääda juurdepääsetavaks. Ventilaatoreid ei tohi kasutada ohtlikes keskkonnatingimustes ning neid ei tohi ühendada suitsukanalite ega gaasikäikudega. Ventilaatoreid ei tohi paigaldada väliskeskkonda (v.a TFSR/TFSK EC, K EC). Ohutusseadiseid (nt kaitsevõre) ei tohi demonteerida, lühistada ega lahti ühendada. Katuse ventilaatorid ja KBT EC on ette nähtud ainult õhu väljatõmbeks.

Seadet võivad kasutada lapsed alates 8 eluaastast ja langenud füüsiliste, meeleliste või vaimsete võimete või kogemuse ja teadmiste inimesed, juhul kui neid on juhendatud, kuidas seadet ohutult kasutada ja nad mõistavad sellega kaasnevat ohte. Lastel on keelatud seadmega mängida. Lapsed ei tohi seadet ilma järelevalveta puhastada ega hooldada.

Rakendada tuleb ettevaatusabinõusid heitgaaside tagasivoolu vältimiseks samasse ruumi paigaldatud teiste seadmete lõõridest, mida süüdatakse gaasi või teiste kütustega.

Seadme ühendus vooluvõrgu kaitselülitiga tuleb fikseerida.

HOIATUS! Enne hooldust või remonti lülitage seade vooluvõrgust välja (kõigi pooluste kaitselüliti) ja kontrollige, et tiivik oleks täielikult seiskunud.

HOIATUS! Ventilaatoril on teravad servad ja nurgad, mis võivad põhjustada kehavigastusi.

HOIATUS! Olge ettevaatlik, kui avate ventilaatorite hooldusluuke (väljapoole kallutatavad), luugile monteeritud ventilaator ja mootor on suhteliselt rasked (kehtib tüübi KVKE, KVO kohta).

Ventilaatori mootoril on sisseehitatud kaitse lukustatud rootori jaoks, mis tähendab, et mootor üritab rootori seiskumise korral eelprogrammeeritud intervalliga taaskäivituda. Blokeeringu eemaldamisel käivitub ventilaator ise ilma täiendavate abinõude kasutamise vajaduseta. Mootori kõrge temperatuuri korral katkestatakse vooluühendus mootoriga. Seejärel saab mootori taaskäivitada ainult ventilaatori käsitsi vooluvõrgust mõneks minutiks lahti ühendamisel.

Transportimine ja ladustamine

Kõik ventilaatorid on tehases pakitud vastavalt normaalsetele transportimistingimustele. Kasutage seadmete käsitlemisel sobivat tõstevarustust, et vältida ventilaatorite kahjustamist ja isikute

vigastamist. Ärge kasutage ventilaatorite tõstmiseks ühenduskaablit, ühenduskarpi, tiivikut ega sisselaske koonust. Vältige lööke ja löökoormusi. Ladustage ventilaatoreid kuni lõpliku paigaldamiseni kuivas kohas, kaitstes neid ilmastikumõjude ja mustuse eest. Lubatud ladustamistemperatuur -40...+80°C.

Paigaldus

Lugege eespool antud ohutusosalast informatsiooni. Paigaldamist, elektrisüsteemiga ühendamist ja esmakäivitust peab teostama ainult selleks volitatud vastava kvalifikatsiooniga personal kooskõlas kehtivate normide ja nõuetega. Elektriühendused tuleb teostada vastavalt klemmikarbis asuval elektriskeemile ja klemmiliistul või kaabli olevatele märgistele. Sulgege tühjad kaablitopendid kattekorkidega. K-EC tüüpi ventilaator tuleb paigaldada koos ühenduskarbiga seadme peal ± 90 kraadi. Kui statsionaarse paigalduse teostamisel kasutatakse kaableid läbimõõduga 12–14 mm, tuleb sisenemisläbiviik välja vahetada (kehtib tüübi K-EC kohta). Monteerige ventilaator õhuvoolu suunas (vaadake seadmel olevat noolt). Ventilaator tuleb paigaldada nii, et vibratsioon ei kanduks üle kanalisüsteemidele ega hoone karkassile. (Saadaval on sobivad kiirühendusklambrid ja difuusorid.) Kontrollige, et ventilaator oleks tugevasti kinnitatud ja stabiilselt paigaldatud. Ventilaatori võib monteerida igas suunas, kui ei ole ette nähtud teisiti. Ventilaatorid tuleb paigaldada nii, et hooldust ja remonti oleks lihtne ja ohutu teostada. Häiriva müra vältimiseks võib paigaldada spetsiaalse summuti (tarvik on saadaval). Ventilaatorid on ette nähtud pidevaks töötamiseks kindlaksmääratud temperatuurivahemikus. Ventilaatorite puhul, mille lähtestamine toimub vooluühenduse katkestamise kaudu, tuleb seda arvestada, kui ühendate ümbritsevat seadmeid, mis on varustatud automaatse sisse-/väljalülitamise funktsiooniga. EC mootorite lekkevool maasse on ≤3,5 mA. Seda tuleb arvestada ventilaatori ühendamisel koos maaühendusvoolu katkestiga.

Sisseehitatud potentsiomeeter

Sisseehitatud potentsiomeeter on tehases eelseadistatud (**Joonis 1-15**). Määratud väärtust saab käsitsi reguleerida mootori pöörete ja ventilaatori jõudluse muutmiseks. Ventilaatori jõudlusdiagrammid koos pinge astmetega on toodud tabelis lk 11-25 (**Joonis 1-15**) potentsiomeetri sümbolitest paremal. Vajadusel võib ühendada välise potentsiomeetri. Sel juhul tuleb sisemine potentsiomeeter ühendusklemmidelt lahti ühendada.

Tahhomeetri võimsus

Klemm nr 1 elektriskeemidel (valge signaalkaabel) võimaldab ühendada pöörete lugeja (üks impulss

pöörde kohta), kontrolleri, häire- või kiirusekraani. Tahhometri signaal max 10 mA.

Käitamine

Enne esimest käivitamist kontrollige järgmist:

- elektriühendused on teostatud nõuetekohaselt;
- kaitsejuht on ühendatud;
- kaitseeadised on õigesti paigaldatud (kaitsevõre);
- korpusest on eemaldatud paigaldamisel üle jäänud materjalid ja muud kõrvalised esemed.

Käivitamisel kontrollige järgmist:

- elektriühenduste andmed vastavad seadme andmesildil olevatele tehnilistele andmetele: maksimaalne pinge +6%, -10% vastavalt IEC 38 nõuetele. Nimivoolu ei tohi ületada rohkem kui 5% nimivoolupingel;
- mootori töötamise sujuvus (puudub ebatavaline müra);
- ventilaatoritega võib töötada ainult vastavate teadmistega isik ning ventilaatorite käitamine peab toimuma nimetatud isiku järelevalve all.

Hooldus, teenindus ja remont

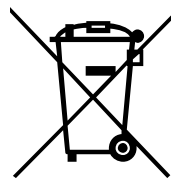
Enne hooldust, teenindust või remonti kontrollige järgmist:

- voolutoide on katkestatud (kõigi pooluste kaitselüliti);
- ventilaatori tiivik on täielikult seiskunud;
- järgige ohutuseeskirju.

Ventilaatorit peab vajadusel puhastama, vähemalt üks kord aastas, et vältida tasakaalutust ja laagrite asjatut kahjustamist. Filter pikendab ventilaatori puhastamiskordade vahelisi ajavahemikke.

(Mõnikord on soovitatav filtri kaitse paigaldamine). Ventilaatori laagrid ei vaja hooldust ning kahjustuste esinemisel tuleb need välja vahetada. Ärge kasutage ventilaatori puhastamiseks kõrgsurvepuhastajat (aurujuga). Kontrollige, et ventilaatori tiivik oleks tasakaalus ja et see ei oleks kõverdunud. Kuulake, kas ei esine ebatavalist müra. Ventilaatori seiskumisel toimige järgmiselt:

- proovige ventilaatorit taaskäivitada, katkestades mõneks minutiks vooluühenduse;
- veenduge, et tiivik ei oleks blokeeritud. Võimalik takistus kõrvaldatakse pärast vooluühenduse katkestamist. Veenduge, et ventilaator käivituks pärast vooluühenduse taastamist. Kui ventilaator ei käivitu, võtke ühendust oma seadme müügikohaga.



Utiliseerimine ja taaskasutus

Majapidamisseadmed, mille andmesildil on see sümbol, vastavad elektri- ja elektroonikaseadmete jäätmete direktiivile. Seadme utiliseerimisel järgige kohalikke eeskirju ja seadusi.

Toote pakkematerjalid on ringlusse võetavad ja neid saab uuesti kasutada. Ärge visake olmeprügi hulka.

Märgistusega komponentide puhul, nagu näiteks ventilaatorid, võib demonteerimise juhiseid leida komponendi tootja kodulehelt.

EU-Vaatimustenmukaisuusvakuutus

Valmistaja



Systemair Sverige AB
 Industrivägen 3
 SE-73930 Skinnskatteberg RUOTSI
 Puh. +46 222 440 00 Faksi: +46 222 440 99
www.systemair.com

vakuuttaa, että seuraavat tuotteet lukien Sileo versiot:

Kanavapuhaltimet pyöreällä liitännällä: K 100-315L EC, KVK Slim 100-160 EC, KD 315-400 EC, prio 450-500 EC, KV DUO 150-500 EC

Kanavapuhaltimet nelikulmaisella liitännällä: RS 30-15–100-50 EC, RSI 60-35–100-50 EC

Eristetyt kanavapuhaltimet pyöreällä liitännällä: KVK Silent 125-160 EC

Huippumurit pyöreällä tai nelikulmaisella liitännällä: TFSR /TFSK160-200 EC

Kuumankestävät puhaltimet: KBT 160-250 EC

(Tämä vakuutus koskee tuotetta siinä kunnossa, missä se on toimitettu ja asennettu laitteistoon asennusohjeiden mukaisesti. Tämä vakuutus ei koske jälkikäteen asennettuja osia tai tuotteelle tehtyjä toimenpiteitä)

täyttävät seuraavien EY-direktiivien kaikki sovellettavat vaatimukset

<ul style="list-style-type: none"> • Konedirektiivi 2006/42/EY • Pienjännitedirektiivi 2014/35/EU • EMC-direktiivi 2014/30/EU • RoHS-direktiivi 2011/65/EU (asuntoilmanvaihtokoneet) 	<ul style="list-style-type: none"> • Ecodesign-direktiivi 2009/125/EY 327/2011 Vaatimukset puhaltimille, joiden ottoteho on yli 125 kW 1253/2014 Vaatimukset ilmanvaihtokoneille, joiden ottoteho on yli 30 W 1254/2014 Asuntoilmanvaihtokoneiden energiamerkintävaatimukset
--	---

Seuraavia yhdenmukaistettuja standardeja on käytetty:

EN ISO 12100:2010	Koneturvallisuus - yleiset suunnitteluperiaatteet - riskiarviointi ja riskien vähentäminen.
EN 13857	Koneturvallisuus. Turvaetäisyydet yläraajojen ja alaraajojen ulottumisen estämiseksi vaaravyöhykkeille.
EN 60 335-1	Kotitaloussähkölaitteiden ja vastaavien turvallisuus. Osa 1: Yleiset vaatimukset.
EN 60 335-2-80	Kotitaloussähkölaitteiden ja vastaavien turvallisuus. Osa 2-80: Erityisvaatimukset tuulettimille.
EN 62233	Kotitaloussähkölaitteiden ja vastaavien laitteiden sähkömagneettisten kenttien mittaamenetelmät.
EN 50 106:2007	Kotitaloussähkölaitteiden ja vastaavien turvallisuus - Erityisvaatimukset standardien EN 60 335-1 ja EN 60967 soveltamisalaan kuuluvien laitteiden kappalesteille.
EN 60529	Sähkölaitteiden kotelointiluokat (IP-koodi).
EN 60 204-1	Koneturvallisuus - Koneiden sähkölaitteet. Osa 1: Yleiset vaatimukset.
EN 60730-1	Kotitalouteen ja vastaavaan käyttöön tarkoitettujen automaattisten sähköisten ohjauslaitteiden. Osa 1: Yleiset vaatimukset.
EN 61000-6-2	Sähkömagneettinen yhteensopivuus (EMC). Osa 6-2: Yleiset standardit – Häiriönsieto teollisuusympäristöissä.
EN 61000-6-3	Sähkömagneettinen yhteensopivuus (EMC). Osa 6-3: Yleiset standardit – Häiriönpäästöt kotitalous-, toimisto- ja kevyen teollisuuden ympäristöissä.

Skinnskattberg 17-08-2018



Mats Sándor
Tekninen johtaja

Turvallisuustiedot

Lue asennus- ja turvaohjeet huolella ennen puhaltimen käyttöönottoa.

Kaikki puhaltimet on tarkoitettu ilman siirtämiseen ilmastointijärjestelmissä. Jos puhallin asennetaan lämmittämättömään tilaan, kotelo on eristettävä veden tiivistymisen välttämiseksi. Puhaltimet on tarkoitettu käytettäväksi koneeseen tai kanavistoon sisäänrakennettuna tai suojaverkolla varustettuna. (EN ISO 13857). Kanavaliitännöillä varustetut puhaltimet tulee liittää kanavaan molemmilla puolilla (tulo/lähtö). Asennuksen jälkeen liikkuviin osiin koskettaminen ei saa olla mahdollista. Puhaltimia ei saa käyttää räjähdysvaarallisissa ympäristöissä eikä niitä saa käyttää savuhormeissa. Puhaltimia ei saa asentaa ulkotiloihin (poikkeuksena TFSR/TFSK EC, K EC). Suojavarusteita (esim. suojaritilä) ei saa irrottaa, ohittaa tai kytkeä irti. Huippumureita ja KBT EC saa käyttää yksinomaan poistoilmapuhaltimina. Laitetta eivät saa käyttää lapset ja henkilöt, joiden fyysiset, aistivaraiset tai henkiset kyvyt ovat rajoittuneet tai joilla ei ole riittävästi kokemusta tai tietoa, ellei heidän turvallisuudestaan vastaava henkilö ole antanut heille ohjausta tai opastusta puhaltimen käytöstä. Kyseisen henkilön on myös varmistettava, että he ymmärtävät puhaltimen käyttöön liittyvät vaaratekijät. Älä anna lasten leikkiä puhaltimella. Lapset eivät saa puhdistaa tai huoltaa puhallinta valvomatta.

Varmista, että puhaltimeen ei voi imeytyä muiden samaan tilaan asennettujen laitteiden pakokaasuja. Kiinteästi kytketyt laitteet on varustettava turvakytkimellä.

HUOM Katkaise virransyöttö turvakytkimellä ennen huolto- tai kunnossapitotöiden aloitusta ja varmista, että siipipyörä on pysähtynyt. HUOM Puhaltimissa voi olla teräviä reunoja ja kulmia, jotka voivat aiheuttaa tapaturmia. HUOM Noudata varovaisuutta puhaltimien huoltoluukkuja avatessasi, sillä huoltoluukkuun asennettu puhallin moottoreineen on suhteellisen painava (KVKE, KVO).

Puhaltimen moottorissa on sisäänrakennettu suojaus siipipyörän juuttumisen varalta. Tämä tarkoittaa, että moottori yrittää käynnistyä esiasetetuin väliajoin, kun se havaitsee, että siipipyörä on pysähtyneenä. Kun este poistetaan, puhallin käynnistyy itsestään ilman lisätoimenpiteitä. Lämpösuojaus katkaisee moottorin virransyötön, jos lämpötila nousee liian korkeaksi. Moottori voidaan sen jälkeen käynnistää vasta kun puhaltimen virransyöttö on katkaistu muutamaksi minuutiksi.

Kuljetus ja varastointi

Kaikki puhaltimet on pakattu kestämään normaalia kuljetuskäsittelyä. Käytä sopivia nostolaitteita pakkausten käsittelyyn välttääksesi henkilö- ja omaisuusvahingot. Älä nosta puhaltimia kytkentäkaapeleista, kytkentärasiaista, siipipyörästä tai imukartiosta. Varo altistamasta iskuille ja voimakkaille tärähdyksille. Säilytä puhaltimet asennukseen saakka

kuivassa paikassa säältä ja lialta suojattuna. Sallittu varastointilämpötila-alue -40...+80 °C

Asennus

Lue turvaohjeet. Asennuksen, sähkökytkennän ja käyttöönoton saa tehdä vain valtuutettu asentaja annettujen ohjeiden ja vaatimusten mukaisesti. Sähkökytkennät on tehtävä kytkentärasian kytkentäkaavion sekä kytkentärimoissa ja kaapeleissa olevien merkintöjen mukaan. Tulppaa tyhjat läpiviennit peitetulvilla. K-EC-puhaltimet tulee asentaa niin, että kytkentärasia on laitteen päällä ±90°. Jos kiinteä asennus tehdään Ø 12-14 mm kaapeleilla, kaapeliläpivienni tulee vaihtaa (koskee tyyppiä K-EC). Asenna puhallin ilmanvirran nähden oikein (katso nuoli yksikössä). Puhallin on asennettava niin, ettei värähtelyjä siirry kanavistoon ja rakenteisiin. (Lisävarusteena on saatavana mm. kanava- tai joustavia liittimiä). Varmista, että puhallin on kunnolla ja tukevasti kiinnitetty. Puhaltimen voi asentaa mihin tahansa asentoon ellei toisin mainita. Puhallin on asennettava niin, että huolto- ja kunnossapitotyöt voidaan suorittaa helposti ja turvallisesti. Häiritsevä melu voidaan estää asentamalla äänenvaimennin (saatavana lisävarusteena). Puhaltimet on tarkoitettu jatkuvaan käyttöön ilmoitetulla lämpötila-alueella.

Puhaltimissa, joissa on lämpösuoja pitää nollata katkaisemalla virta, tämä tulee ottaa huomioon, kun kytketään ympäröiviä laitteita automaattiseen on/off – toimintaan.

EC-moottorien vuotovirta maahan on ≤3,5 mA. Tämä tulee ottaa huomioon, kun puhallin varustetaan vikavirtasuojakytkimellä.

Sisäinen potentiometri

Sisäinen potentiometri on tehtaalla valmiiksi asetettu (**kuva 1-16**). Arvoa voidaan muuttaa käsin moottorin pyörimisnopeuden/puhallustehon muuttamiseksi. Puhallustehokäyrästä löytyvät sivulta 10-25 (**kuva 1-16**) potentiometrisymbolien oikealla puolella. Ulkoinen potentiometri voidaan kytkeä tarvittaessa. Tällöin sisäinen potentiometri pitää kytkeä irti liittimistä.

Pyörimisnopeuslähtö

Liittimeen 1 kytkentäkaavioissa (valkoinen signaalikaapeli) voidaan kytkeä pyörimisnopeusanturi (pulssi/kierros), ohjain, hälytys tai nopeusnäyttö. Pyörimisnopeussignaalin maksimivirta on 10 mA.

Käyttö

Tarkista seuraavat ennen käyttöönottoa:

- Sähkökytkennät on tehty oikein.
- Suojamaadoitus on kytketty.
- Suojavarusteet ovat paikoillaan (suojuverkko)
- Ylimääräiset asennustarvikkeet ja vieraat esineet on poistettu kotelosta.

Tarkista seuraavat käyttöönoton aikana:

- Mitatut arvot vastaavat tyyppikilven erittelyjä: suurin sallittu jännite +6 %, -10 %, standardin IEC 38

mukaan. Nimellisvirta ei saa ylittyä yli 5 %:lla nimellisjännitteellä.

- Moottorin toiminta (ei vieraita ääniä).
- Puhaltimia saavat käyttää ainoastaan henkilöt, joilla on tarpeeksi tietoa tai koulutusta tällä alalla tai käytön tulee tapahtua tällaisen henkilön valvonnassa.

Kunnossapito, huolto ja korjaus

Varmista ennen kunnossapito-, huolto- ja korjaustöiden aloittamista, että:

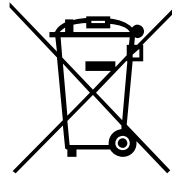
- Jännitteensyöttö on katkaistu (turvakytkimellä).
- Siipipyörä on pysähtynyt
- Noudata turvaohjeita!

Puhallin tulee puhdistaa tarvittaessa, kuitenkin vähintään kerran vuodessa epätasapainon ja laakerien turhan kulumisen välttämiseksi. Suodatin pidentää puhaltimen puhdistusvälejä. (Tietyissä asennuksissa on suositeltavaa asentaa suodatinvahti). Puhaltimen laakerit ovat huoltovapaita ja ne tulisi vaihtaa vain, jos ne vaurioituvat. Älä käytä painepesuria tai höyrypesuria puhaltimen puhdistukseen. Varo, etteivät siipipyörän tasapainotuspainot pääse siirtymään eikä siipipyörä vaurioitu. Tarkasta, ettei puhaltimesta kuulu epänormaalia melua.

Jos puhallin pysähtyy:

- Yritä käynnistää puhallin katkaisemalla jännitteensyöttö muutamaksi minuutiksi.
- Varmista, että siipipyörä voi pyöriä vapaasti. Poista esteet virrankatkaisun jälkeen. Varmista, että puhallin käynnistyy virran kytkemisen jälkeen. Ellei puhallin ei vielä käynnisty, ota yhteys jälleenmyyjään.

Hävittäminen ja kierrätys



Asuntoilmanvaihtotuotteet, joiden tyyppikilvessä on tämä tunnus, noudattavat WEEE-direktiiviä. Hävitä tuote paikallisten määräysten mukaisesti.

Tuotteen pakkausmateriaalit ovat kierrätettäviä, ja ne voidaan käyttää uudelleen. Älä hävitä tuotetta sekajätteenä.

Merkittyjä komponentteja, kuten puhaltimia, koskevat purkuohjeet löytyvät komponentin valmistajan kotisivulta.

Dichiarazione di conformità UE

Produttore



Systemair Sverige AB
 Industrivägen 3
 SE-73930 Skinnskatteberg SVEZIA
 Ufficio: +46 222 440 00 Fax: +46 222 440 99
www.systemair.com

dichiara qui di seguito che i prodotti comprese le versioni Sileo:

Ventilatori da condotto con imbocchi di collegamento circolari: K 100-315L EC, KVK Slim 100-160 EC, KD 315-400 EC, prio 450-500 EC, KV DUO 150-500 EC

Ventilatori da condotto rettangolare: RS 30-15-100-50 EC, RSI 60-35-100-50 EC

Ventilatori da condotto isolati con imbocchi di collegamento circolari: KVK Silent 125-160

Torri estrattori con base di collegamento circolare o quadrata: TFSR/TFSK 160-200 EC

Termoventilatori: KBT 160-250 EC

(La dichiarazione si riferisce unicamente al prodotto così come è stato consegnato e installato in loco conformemente alle istruzioni di installazione allegate. L'assicurazione non copre componenti aggiunti o successivi interventi eseguiti sul prodotto)

Risultano conformi a tutti i requisiti applicabili previsti nelle seguenti direttive

<ul style="list-style-type: none"> • Direttiva Macchine 2006/42/CE • Direttiva bassa tensione 2014/35/UE • Direttiva EMC 2014/30/UE • Direttiva RoHS 2011/65/UE (unità residenziali) 	<ul style="list-style-type: none"> • Direttiva EcoDesign 2009/125/EC <p>327/2011 Requisiti per i ventilatori di potenza superiore a 125 W</p> <p>1253/2014 Requisiti per le unità di ventilazione di potenza superiore a 30 W</p> <p>1254/2014 Requisiti per l'etichettatura energetica delle unità di ventilazione residenziali</p>
--	--

Trovano validità le seguenti norme armonizzate laddove applicabili:

EN ISO 12100:2010	Sicurezza del macchinario – Principi generali per il design – Valutazione e riduzione del rischio.
EN 13857	Sicurezza del macchinario – Distanze di sicurezza per impedire il raggiungimento di zone pericolose con gli arti superiori o inferiori.
EN 60 335-1	Sicurezza degli apparecchi elettrici d'uso domestico e similare – Parte 1: Regole generali.
EN 60 335-2-80	Sicurezza degli apparecchi elettrici d'uso domestico e similare – Parte 2-80: Norme particolari per ventilatori.
EN 62233	Metodi di misurazione dei campi elettromagnetici per gli apparecchi elettrici d'uso domestico e similari in relazione all'esposizione umana.
EN 50 106:2007	Sicurezza degli apparecchi elettrici d'uso domestico e similare – Regole particolari per le prove di routine per gli apparecchi che ricadono nel campo di applicazione della EN 60 335-1 ed EN 60967.
EN 60529	Classificazione dei gradi di protezione degli involucri (codice IP).
EN 60 204-1	Sicurezza del macchinario – Equipaggiamento elettrico delle macchine – Parte 1: Regole generali.
EN 60730-1	Dispositivi elettrici automatici di comando per uso domestico e similare – Parte 1: Norme generali.
EN 61000-6-2	Compatibilità elettromagnetica (EMC) – Parte 6-2: Norma generica sull'immunità. Ambiente industriale.
EN 61000-6-3	Compatibilità elettromagnetica (EMC) – Parte 6-3: Norme generiche - Emissione per gli ambienti residenziali, commerciali e dell'industria leggera.

Skinnskatteberg 17-08-2018



Mats Sándor
 Direttore tecnico

Informazioni sulla sicurezza

Prima della messa in servizio dell'apparecchiatura, leggere le istruzioni di montaggio e le informazioni di sicurezza.

Tutti i ventilatori sono costruiti per il trasporto di aria in impianti di condizionamento dell'aria. Se i ventilatori vengono installati in ambienti non riscaldati, isolare esternamente la cassa del ventilatore per evitare la formazione di condensa. I ventilatori devono essere messi in funzione dopo il montaggio all'interno di macchine o condotti, oppure dopo l'installazione di una griglia di protezione (EN ISO 13857). I ventilatori per montaggio a canale devono essere collegati ai canali su entrambi i lati (lato premente/lato aspirante). L'installazione deve essere effettuata in modo da rendere impossibile il contatto diretto con le parti in movimento. I ventilatori non devono essere impiegati in ambienti pericolosi, né essere collegati a canne fumarie. I ventilatori non devono essere installati all'esterno (ad eccezione di TFSR/TFSK EC, K EC). I dispositivi di sicurezza (p. es. la griglia di protezione) non devono essere rimossi, manomessi o resi inutilizzabili. I torrini estrattori e KBT EC sono esclusivamente destinati alle applicazioni di estrazione dell'aria.

Questa apparecchiatura può essere utilizzata da bambini di età pari o superiore a 8 anni e da persone con deficit fisici, sensoriali o mentali o mancanza di esperienza e conoscenze se sorvegliati e istruiti riguardo all'utilizzo dell'apparecchiatura stessa in modo sicuro e se consapevoli dei rischi ad essa relativi. L'apparecchiatura non deve essere utilizzata come gioco da parte di bambini. Manutenzione e pulizia non devono essere effettuate da bambini senza supervisione.

È necessario prendere precauzioni per evitare il reflusso di gas di scarico da condotti di altre apparecchiature installate nello stesso ambiente, alimentate a gas o altri combustibili.

L'apparecchiatura deve essere collegata a un interruttore di rete nell'installazione fissa.

N.B.! Prima di effettuare revisioni o manutenzioni, assicurarsi che l'apparecchio sia scollegato dalla rete (interruttore di circuito omnipolare) e assicurarsi che la girante sia ferma. N.B.! I ventilatori hanno lati e angoli acuminati che possono causare ferite. N.B.! Prestare attenzione nell'aprire i portelli di servizio (modelli swing-out), il ventilatore e il motore assemblati sul portello sono relativamente pesanti (si applica a KVKE, KVO).

Il motore del ventilatore presenta una protezione integrata per il rotore bloccato, pertanto, il motore cercherà di riavviarsi in base a un intervallo di tempo preprogrammato ogni volta in cui verrà rilevato l'arresto del rotore. Una volta rimosso il blocco, il ventilatore si riavvierà autonomamente senza ulteriori interventi. Alle temperature elevate del motore, l'erogazione di corrente verrà interrotta. Potrà quindi essere riavviata solo manualmente, interrompendo l'alimentazione di rete alla ventola per alcuni minuti.

Trasporto e stoccaggio

Tutti i ventilatori Systemair sono imballati in fabbrica per sopportare le normali condizioni di trasporto. Nel maneggiare i materiali, utilizzare adeguate attrezzature per il sollevamento, per evitare danni sia al ventilatore sia al personale. Per sollevare i ventilatori, non utilizzare il cavo di connessione, la morsettiera, la girante o il boccaglio. Evitare urti o danneggiamenti durante il carico. Immagazzinare i ventilatori in un'area asciutta, protetta dalle intemperie e dalla polvere fino all'installazione finale. Temperature di immagazzinaggio consentite: -40...+80°C

Installazione

Fare riferimento alle informazioni di sicurezza di cui sopra.

L'installazione, i collegamenti elettrici e la messa in marcia dovranno essere effettuati soltanto da personale autorizzato e rispettando le specifiche di installazione.

Il collegamento elettrico dovrà essere effettuato in accordo con il diagramma indicato nella morsettiera e/o con le indicazioni sui morsetti o sul cavo. Sigillare eventuali premistoppa vuoti con tappi. I ventilatori serie K-EC devono essere installati mantenendo la morsettiera sulla parte alta dell'unità, con un angolo ammesso di $\pm 90^\circ$. Se l'installazione permanente avviene mediante cavi del diametro di 12-14 mm, occorre sostituire la boccia di ingresso (si applica al tipo K-EC). Montare il ventilatore nel senso del flusso dell'aria (vedere la freccia sull'unità). Il ventilatore dovrà essere installato in modo che le vibrazioni non vengano trasmesse al sistema di condotti o all'edificio. (Sono disponibili accessori adatti, quali collari di fissaggio antivibranti e convogliatori.) Assicurarsi che il ventilatore sia installato in modo stabile e sicuro. Il ventilatore può essere montato in qualsiasi direzione, fatto salvo quanto diversamente indicato. Il ventilatore dovrà essere installato in modo tale da rendere possibili le operazioni di assistenza e manutenzione in modo facile e sicuro. È possibile ridurre la rumorosità di funzionamento installando un silenziatore (accessorio disponibile).

I ventilatori sono idonei all'utilizzo continuo entro i limiti di temperatura riportati.

Ricordarsi che i modelli con protezione termica a riarmo manuale devono essere ripristinati manualmente, considerarlo in caso di collegamento di attrezzature circostanti con funzioni di accensione/spegnimento automatico.

I motori CE presentano una corrente di perdita a terra pari a $\leq 3,5$ mA. Tenere in considerazione se il ventilatore viene collegato insieme a un interruttore di terra.

Potenzimetro integrale

Il potenziometro integrale viene preconfigurato in fabbrica (**Fig. 1-15**). Tale valore può essere modificato manualmente per ottenere prestazioni diverse di giri-min motore/ventilatore. I relativi

diagrammi prestazionali del ventilatore, con inclusi i valori di tensione, sono mostrati nella tabella a pagina 11-25 (**Fig. 1-15**) a destra dei simboli del potenziometro. Se necessario, è possibile collegare un potenziometro esterno. In tal caso, il potenziometro interno deve essere scollegato dai morsetti di collegamento.

Uscita tachimetrica

Il morsetto n. 1 negli schemi di cablaggio (cavo di segnale bianco) consente il collegamento di un contatore giri/min (un impulso per giro), di un controllore o di un monitor di allarme o della velocità. Il tachimetro rileva un segnale con max. 10 mA.

Funzionamento

Prima di accendere il ventilatore, verificare:

- i collegamenti elettrici
- la presenza della protezione termica adeguatamente collegata.
- l'installazione dei dispositivi di protezione (griglia di protezione)
- l'eventuale presenza di corpi estranei dimenticati all'interno del ventilatore durante il montaggio.

In fase di messa in servizio, verificare:

- la corrispondenza dei dati di collegamento con quanto specificato sui dati di targa: tensione massima +6%, -10%, in base a IEC 38. Alla tensione nominale, la corrente nominale non deve essere superata di oltre il 5%.
- il corretto funzionamento del motore (nessun rumore anomalo).
- I ventilatori devono essere utilizzati solo da personale esperto o sotto la supervisione di personale esperto.

Manutenzione, assistenza e riparazione

Prima di qualsiasi intervento di manutenzione, assistenza o riparazione, assicurarsi che

- la linea elettrica sia disconnessa (interruttore di circuito onnipolare).
- la girante del ventilatore sia completamente ferma
- siano rispettate tutte le precauzioni di sicurezza per il personale.

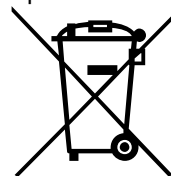
La girante del ventilatore deve essere pulita quando necessario, almeno una volta l'anno, per evitare sbilanciamenti e danneggiamenti non necessari ai cuscinetti. Un filtro prolungherà l'intervallo di tempo tra ciascuna pulizia del ventilatore. (In alcuni casi si raccomanda l'installazione di una protezione del filtro.) I cuscinetti motore sono del tipo "senza manutenzione", per cui dovrebbero essere sostituiti solo se danneggiati. Non usare un getto ad alta pressione (getto vapore) per pulire il ventilatore. Assicurarsi che non vengano rimossi i pesi che bilanciano la girante e che non ne vengano piegate le pale. Prestare attenzione a eventuali rumori di funzionamento anomali.

Rispettare le seguenti indicazioni in caso di arresto del ventilatore:

- Cercare di riavviare il ventilatore interrompendo l'alimentazione per qualche minuto.
- Accertarsi che la girante non sia bloccata. Rimuovere le eventuali ostruzioni dopo l'interruzione della corrente. Verificare l'avvio del ventilatore dopo aver ricollegato la corrente. Se il ventilatore non si avvia, contattare il rivenditore.

Smaltimento e riciclaggio

I prodotti residenziali con questo simbolo sulla targhetta sono conformi alla direttiva WEEE. Quando si smaltisce l'unità, attenersi alle regole e alle normative locali. I materiali di imballaggio del prodotto sono riciclabili e possono essere riutilizzati. Non smaltire con i rifiuti domestici.



Per i componenti dotati di etichetta, come per esempio i ventilatori, le istruzioni per lo smontaggio sono disponibili sulla homepage del produttore del componente.

ES Atitikties deklaracija

Gamintojas



„Systemair Sverige AB“
 Industrivägen 3
 SE-73930 Skinnskatteberg SWEDEN (ŠVEDIJA)
 Biuras: +46 222 440 00 Faks.: +46 222 440 99
www.systemair.com

patvirtina, kad toliau nurodyta įranga įskaitant Sileo versijų:

Kanaliniai ventiliatoriai su apskrito skerspjūvio jungtimi: K 100-315L EC, KVK Slim 100-160 EC, KD 315-400 EC, prio 450-500 EC, KV DUO 150-500 EC

Kanaliniai ventiliatoriai su stačiakampio skerspjūvio jungtimi: RS 30-15–100-50 EC, RSI 60-35–100-50 EC

Izoliuoti kanaliniai ventiliatoriai su apskrito skerspjūvio jungtimi: KVK Silent 125-160 EC

Stogo ventiliatoriai su apskrito arba kvadratinio skerspjūvio jungtimi: TFSR /TFSK 160-200 EC

Karšto oro ventiliatoriai: KBT 160-250 EC

(Deklaracija gaminiui taikoma tik tuo atveju, jei jis buvo pateiktas ir įrengtas vietoje laikantis pridėdamų montavimo instrukcijų. Draudimas netaikomas komponentams, kurie buvo pridėti, arba veiksmams, kurie buvo atlikti su gaminiu vėliau)

Atitinka visus taikomus šių direktyvų reikalavimus

<ul style="list-style-type: none"> • Mašinų direktyva 2006/42/EB • Žemos įtampos direktyva 2014/35/ES • Elektromagnetinio suderinamumo direktyva 2014/30/ES • 2011/65/ES RoHS (įranga gyvenamuosiuose pastatuose) 	<ul style="list-style-type: none"> • Ekologinio projektavimo direktyva 2009/125/EB <p>327/2011 Reikalavimai ventiliatoriams, kurių galingumas didesnis nei 125 W</p> <p>1253/2014 Reikalavimai vėdinimo įrenginiams, kurių galingumas didesnis nei 30 W</p> <p>1254/2014 Gyvenamųjų patalpų vėdinimo įrenginių energijos vartojimo efektyvumo ženklavimo reikalavimai</p>
---	---

Naudojamoms dalims taikomi šie suderintieji standartai:

EN ISO 12100:2010	Mašinų sauga. Bendrieji projektavimo principai. Rizikos vertinimas ir jos mažinimas.
EN 13857	Mašinų sauga. Saugūs atstumai, trukdantys viršutinėms ir apatinėms galūnėms pasiekti pavojingąsias zonas.
EN 60 335-1	Elektriniai buitiniai ir panašūs gaminiai. Sauga. 1 dalis: bendrieji reikalavimai.
EN 60 335-2-80	Elektriniai buitiniai ir panašūs gaminiai. Sauga. 2-80 dalis: konkretūs reikalavimai ventiliatoriams.
EN 62233	Buitinių ir panašios paskirties prietaisų skleidžiamų elektromagnetinių laukų, susijusių su žmonių apšvita, matavimo metodai.
EN 50 106:2007	Elektrinių buitinių ir panašių gaminių sauga. Specialios taisyklės įprastiems patikrinimams, taikomos gaminiams, aprašytiems EN 60 335-1 ir EN 60967.
EN 60529	Gaubtų sudaromos apsaugos laipsniai (IP kodas).
EN 60 204-1	Pramonės įrenginių saugumas. Pramonės įrenginių elektros įranga. 1 dalis: bendrieji reikalavimai.
EN 60730-1	Buitinės ir analogiškos paskirties automatiniai elektros valdikliai. 1 dalis: bendrieji reikalavimai.
EN 61000-6-2	Elektromagnetinis suderinamumas (EMC) – 6-2 dalis: bendrieji standartai. Atsparumas trukdžiams pramoninėje aplinkoje.
EN 61000-6-3	Elektromagnetinis suderinamumas (EMC) – 6-3 dalis: bendrieji standartai. Spinduliavimo standartai gyvenamosioms, prekybos ir lengvosios pramonės patalpoms.

Skinnskattberg 17-08-2018



Mats Sándor
 Techninis direktorius

Saugumo informacija

Šių įrenginių negalima naudoti prieš tai neperskaičius montavimo instrukcijų ir saugumo informacijos.

Visi ventiliatoriai skirti orui perduoti oro valdymo sistemose. Jei ventiliatorius yra eksploatuojamas nešildomoje patalpoje, jo korpusas turi būti izoliuotas tam, kad išvengtų kondensato kaupimosi. Jie gali būti eksploatuojami tik prijungti prie ortakių arba uždėjus saugančias nuo kontakto apsaugines groteles (EN ISO 13857). Ortakiniai ventiliatoriai turi būti sujungti ortakiais iš abiejų pusių (tiekimas ir ištraukimas). Jie turi būti įrengti taip, kad nebūtų tiesioginio kontakto su judančiomis dalimis. Ventiliatoriai neturi būti eksploatuojami pavojingoje aplinkoje arba būti sujungti su dūmtraukiais. Ventiliatoriai neturi būti įrengti lauke (išskyrus TFSR/TFSK EC, K EC). Apsauginės priemonės (pvz., saugos grotelės), neturi būti nuimtos, apeitos arba atjungtos. Stogo ventiliatoriai ir KBT EC skirti tik oro ištraukimui.

Šį prietaisą gali naudoti 8 metų ir vyresni vaikai bei asmenys, kurių fiziniai, jutiminiai ir protiniai gebėjimai yra silpnesni arba kurie neturi patirties ir žinių, tačiau jie turi būti prižiūrimi arba išmokyti saugiai naudotis prietaisu bei supažindinti su susijusiais pavojais. Vaikams negalima žaisti su šiuo prietaisu. Vaikai negali valyti ir atlikti techninės priežiūros, jei yra neprižiūrimi.

Būtina imtis atsarginių priemonių, kad išmetamosios dujos iš kitų toje pačioje patalpoje sumontuotų dujomis ar degalais varomų prietaisų dūmtakių neištekėtų atgal.

Pritvirtintų įrenginių negalima jungti prie tinklo jungtuvo.

DĖMESIO! Prieš atlikdami remonto arba techninės priežiūros darbus atjunkite tiekiamą srovę (daugiapoliu grandinės pertraukikliu) ir įsitikinkite, kad sparnuotė sustojo. **DĖMESIO!** Ventiliatorių briaunos ir kampai gali būti aštrūs, dėl to galite susižeisti. **DĖMESIO!** Būkite atsargūs atidarydami techninės priežiūros liukų dangtelius (atsidarančius į išorę) – ant liuko sumontuotas ventiliatorius ir variklis yra pakankamai sunkūs (taikoma KVKE, KVO).

Ventiliatoriaus variklyje yra vidinė užfiksuotos sparnuotės apsauga, dėl kurios variklis iš anksto suprogramuotu intervalu mėgina iš naujo įsijungti, kai nustato, kad rotorius nesisuka. Išsiblokavus ventiliatorius įsijungs pats, kitų priemonių taikyti nereikia. Varikliui stipriai įkaitus stovės tiekimas į jį bus nutrauktas. Tada jį bus galima paleisti tik rankiniu būdu kelioms minutėms atjungus į ventiliatorių tiekiamą elektros srovę.

Gabenimas ir saugojimas

Visi ventiliatoriai gamykloje pakuojami taip, kad atitiktų visuotinai priimtus gabenimo standartus. Kad išvengtumėte ventiliatorių apgadinimo arba personalo sužalojimų, dirbdami su gaminiais naudokite kėlimo įrangą. Nekeikite ventiliatoriaus už

jungiamojo laido, gnybtų dėžutės, darbo rato arba įsiurbimo tūtos. Venkite smūgių ir smūginių apkrovų. Iki galutinio montavimo į sistemą ventiliatoriai turi būti saugomi sausoje patalpoje. Leistinas saugojimo temperatūrų intervalas yra nuo -40 iki 80 °C.

Įrengimas

Atsižvelkite į aukščiau pateiktą saugumo informaciją. Montavimą, elektros prijungimą ir patikrinimą gali atlikti tik patyrę darbuotojai, laikydamiesi reikalavimo ir atsižvelgdami į poreikius. Elektros prijungimas turi būti atliktas pagal gnybtų dėžutėje parodytą jungimo schemą, gnybtų arba kabelio ženklimą. Visus tuščius kabelių rieboščius uždenkite apsauginiais dangteliais. K-EC ventiliatoriai turi būti montuojami taip, kad elektrinio prijungimo dėžutė būtų ventiliatoriaus viršuje ± 90 laipsnių. Jei nuolatiniam montavimui naudojami 12–14 mm skersmens laidai, įeinantys kontaktai turi būti pakeisti (taikoma K-EC tipo ventiliatoriams). Ventiliatorius turi būti statomas oro srauto kryptimi (žr. rodyklę ant įrenginio). Ventiliatorius turi būti sumontuotas taip, kad vibracija nebūtų perduodama į ortakių sistemą arba pastato pamatą. (Tam tiekiami tokie reikmenys, kaip greitai nuimamos movos ir difuzoriai). Įsitikinkite, kad sumontuotas ventiliatorius gerai įtvirtintas ir stabilus. Ventiliatorius gali būti montuojamas bet kuria kryptimi, jei nenurodyta kitaip. Ventiliatoriai turi būti įrengti taip, kad būtų paprasta ir saugu juos prižiūrėti. Erzinantį triukšmą galima pašalinti slopintuvu (galima įsigyti kaip priedą).

Ventiliatoriai skirti ilgalaikiam naudojimui nurodytame temperatūrų diapazone.

Naudojant ventiliatorius, kurie atstatomi nutraukiant elektros srovę, turi būti atsižvelgta į kitus prietaisus, kuriuose yra automatinio įjungimo ir išjungimo funkcija.

EC varikliuose yra srovės nuotėkis į žemę, atitinkantis $\leq 3,5$ mA. Į tai reikia atsižvelgti, kai ventiliatorius prijungiamas prie įžeminimo saugiklio.

Integruotas potenciometras

Integruotas potenciometras yra iš anksto nustatytas gamykloje (**1-15 pav.**). Šią reikšmę galima pakeisti rankiniu būdu, kad būtų gautas kitoks variklio apskukų per minutę / ventiliatoriaus našumas. Tam skirti ventiliatoriaus našumo grafikai, kuriuose nurodyti įtampos veiksmai, pateikti lentelėje, esančioje 11-25 psl. (**1-15 pav.**) simbolių dešinėje. Prireikus gali būti prijungtas išorinis potenciometras. Tokiu atveju vidinį potenciometrą reikia atjungti nuo jungiamųjų kontaktų.

Tachometro išvestis

Jungimo schemoje kontaktas Nr. 1 (baltas signalinis kabelis) leidžia prijungti apskukų per minutę skaitiklį (vienas impulsas vienam apsisukimui), valdiklį, įspėjimų arba greičio ekraną. Tachometras siunčia signalą esant maks. 10 mA.

Eksplotavimas

Prieš naudodami pirmą kartą patikrinkite, ar:

- tinkamai prijungti elektros laidai;
- prijungtas apsauginis laidas;
- įrengti saugos įtaisai (apsauginės grotelės);
- iš ventiliatoriaus korpuso pašalintos likusios ir nereikalingos medžiagos.

Prieš darbo pradžią patikrinkite, ar:

- elektros tinklo duomenys atitinka vardinių duomenų lentelėje nurodytas specifikacijas: maksimali įtampa +6 %, -10 % pagal IEC 38. Esant nominaliai įtampa, nominali srovė neturi būti didesnė daugiau negu 5 procentais;
- variklis veikia tolygiai (be neįprasto triukšmo);
- dirbti su ventiliatoriais gali tik tinkamai apmokyti ir kvalifikuoti darbuotojai arba šie asmenys turi prižiūrėti atliekamus darbus.

Techninė priežiūra, aptarnavimas ir remontas

Prieš atlikdami techninės priežiūros, aptarnavimo arba remonto darbus įsitinkite, kad:

- atjungta elektros srovė (daugiapoliu grandinės pertraukikliu);

- ventiliatoriaus sparnuotė visiškai sustojo;

- laikomasi darbuotojų saugumo nurodymų!

Ventiliatorius turi būti valomas pagal poreikį, ne rečiau kaip 1 kartą per metus, kad būtų išvengta išsibalansavimo ir per ankstyvo guolių susidėvėjimo. Naudojant filtrą ventiliatorių bus galima valyti rečiau. (Kai kuriais atvejais rekomenduojama įrengti apsauginius filtras). Ventiliatoriaus guolių prižiūrėti

nereikia ir jie turi būti keičiami tik atsiradus pažeidimams. Valydami ventiliatorių nenaudokite aukšto slėgio įrenginių (garasrovės). Įsitinkite, kad nepasislinkę ventiliatoriaus darbo rato balansavimo svareliai ir kad sparnuotė nepersikreipusi. Atkreipkite dėmesį į neįprastą ventiliatoriaus darbo triukšmą.

Ventiliatoriui sustojus laikykitės šių instrukcijų:

- pamėginkite paleisti ventiliatorių kelioms minutėms nutraukdami elektros tiekimą;
- patikrinkite, ar sparnuotė neužblokuota. Esančias kliūtis šalinkite atjungę srovę. Patikrinkite, ar ventiliatorius įsijungia vėl prijungus srovę. Jei jis vis tiek neįsijungia, kreipkitės į pardavėją.

Atliekų šalinimas ir antrinis perdirbimas



Šiuo ženklu pavadinimo lentelėje pažymėti gyvenamajam būstui skirti produktai atitinka EEĮ atliekų direktyvą. Utilizuodami įrenginį, laikykitės vietos taisyklių ir reglamentų.

Gaminio pakuotės medžiagos tinka antriniam perdirbimui ir gali būti naudojamos pakartotinai. Neišmeskite kartu su buitinėmis

atliekomis.

Pažymėtų komponentų, pavyzdžiui, ventiliatorių, išmontavimo instrukcijas galima rasti komponento gamintojo puslapyje.

ES Atbilstības deklarācija

Ražotājs



Systemair Sverige AB
 Industrivägen 3
 SE-73930 Skinnskatteberg ZVIEDRIJA
 Birojs: +46 222 440 00 Fakss: +46 222 440 99
www.systemair.com

ar šo apliecina, ka turpmāk minētie produkti ieskaitot Sileo versijas:

Ventilatori apaļiem gaisa vadiem: K 100-315L EC, KVK Slim 100-160 EC, KD 315-400 EC, prio 450-500 EC, KV DUO 150-500 EC

Ventilatori taisnstūrveida gaisa vadiem: RS 30-15–100-50 EC, RSI 60-35–100-50 EC

Izolēti ventilatori apaļiem gaisa vadiem: KVK Silent 125-160 EC

Jumta ventilatori apaļiem vai kvadrātveida gaisa vadiem: TFSR /TFSK 160-200 EC

Karstā gaisa ventilator: KBT 160-250 EC

(Deklarācija attiecas tikai uz produktu tādā stāvoklī, kādā tas piegādāts un uzstādīts objektā saskaņā ar iekļautajām uzstādīšanas instrukcijām. Apdrošināšana neattiecas uz pievienotajiem komponentiem vai darbībām, kas veiktas pēc produkta uzstādīšanas)

atbilst visām piemērojamām šādu direktīvu prasībām:

<ul style="list-style-type: none"> • Mašīnu direktīva 2006/42/EK • Zemsprieguma direktīva 2014/35/ES • EMS direktīva 2014/30/ES • RoHS direktīva 2011/65/ES (dzīvojamās ēkas iekārtas) 	<ul style="list-style-type: none"> • Ekodizaina direktīva 2009/125/EK <p>327/2011 Prasības ventilatoriem ar jaudu, kas lielāka par 125 W</p> <p>1253/2014 Prasības ventilācijas iekārtām ar jaudu, kas lielāka par 30 W</p> <p>1254/2014 Prasības dzīvojamo ēku ventilācijas iekārtu energomarķējumam</p>
--	---

Attiecīgajās daļās tiek piemēroti šādi saskaņotie standarti:

EN ISO 12100:2010	Mašīnu drošība – Vispārīgie projektēšanas principi – Risku novērtēšana un risku samazināšana.
EN 13857	Mašīnu drošums – Drošības attālumi, lai ierobežotu bīstamo zonu, ko var aizsniegt ar rokām un kājām
EN 60 335-1	Mājsaimniecībai un līdzīgiem mērķiem paredzētas elektroierīces – Drošība. 1. daļa: Vispārīgas prasības
EN 60 335-2-80	Mājsaimniecībai un līdzīgiem mērķiem paredzētas elektroierīces – Drošība – 2-80.daļa: Īpašas prasības ventilatoriem
EN 62233	Mājsaimniecības un līdzīga lietojuma elektrisko aparātu elektromagnētisko lauku mērīšana kopsakarā ar to iedarbību uz cilvēka ķermeni.
EN 50 106:2007	Mājsaimniecībai un līdzīgiem mērķiem paredzētu elektroierīču drošums – Īpašās prasības standartu EN 60 335-1 un EN 60967 darbības jomai atbilstošo ierīču kārtējiem testiem
EN 60529	Apvalka nodrošināta aizsardzības pakāpe (IP kods).
EN 60 204-1	Mašīnu drošums – Mašīnu elektroierīces – 1.daļa: Vispārīgas prasības
EN 60730-1	Automātiskās elektriskās vadības ierīces sadzīves un līdzīgai lietošanai – 1.daļa: Vispārīgas prasības
EN 61000-6-2	Elektromagnētiskā saderība (EMS) – 6-2.daļa: Vispārējie standarti – Imunitāte industriālās vidēs
EN 61000-6-3	Elektromagnētiskā saderība (EMS) – 6-3.daļa: Kopstandarti – Emisijas standarts dzīvojamām vidēm, tirdzniecības un vieglās rūpniecības telpām un platībām

Skinnskatteberg 17-08-2018



Mats Sándor
 Tehniskais direktors

Drošības informācija

Pirms šīs ierīces lietošanas noteikti jāizlasa montāžas instrukcijas un drošības informācija. Visi ventilatori ir paredzēti gaisa padevei gaisa apstrādes sistēmās. Ja ventilators tiek uzstādīts neapsildītās telpās, tā korpusam jābūt izolētam, lai novērstu kondensāciju. Tie ir paredzēti izmantošanai pēc uzstādīšanas iekārtās vai ventilācijas sistēmās vai arī pēc tam, kad uzstādīts aizsargrežģis. (EN ISO 13857). Ventilatoriem ar kanālus savienojumiem jābūt pievienotiem kanāliem no abām pusēm (ieplūde/izplūde). Pēc uzstādīšanas jābūt liegtai piekļuvei kustīgajām daļām. Ventilatorus nedrīkst izmantot bīstamās vidēs vai savienot ar dūmvadiem. Ventilatorus nedrīkst uzstādīt ārpus telpām (izņemot TFSR/TFSK EC, K EC). Drošības piederumus (t.i., drošības aizsargrežģi) nevar nomontēt, saīsināt vai atvienot. Jumta ventilatori un KBT EC paredzēti tikai nosūces gaisa pielietojumiem.

Šo ierīci var lietot bērni, kuri sasnieguši 8 gadu vecumu, kā arī personas ar pazeminātām fiziskām, maņu vai garīgām spējām vai pieredzes un zināšanu trūkumu, ja šīs personas ir saņēmušas norādījumus par ierīces drošu lietošanu vai tiek uzraudzītas, lai lietošana būtu droša, un ja attiecīgās personas ir informētas par saistītajiem riskiem. Bērni nedrīkst rotaļāties ar ierīci. Ierīces tīrīšanu un apkopi nedrīkst veikt bērni, ja vien tie netiek uzraudzīti.

Lai novērstu izplūdes gāzu atplūdi no citu telpā uzstādīto ierīču dūmvadiem, kas tiek darbinātas ar gāzi vai citu šķidro kurināmo, jāveic drošības pasākumi.

Ierīce jāpieslēdz tīkla jaudas pārtraucējam fiksēta instalācijā.

UZMANĪBU! Pirms apkopes vai uzturēšanas darbu veikšanas izslēdziet strāvas padevi (visu polu slēdzis) un pārliecinieties, vai turbīna ir pilnībā apstājusies. **UZMANĪBU!** Ventilatoriem var būt asas malas un stūri, kas var radīt ievainojumus. **UZMANĪBU!** Esiet piesardzīgs, atverot ventilatoru apkopes lūkas, jo lūkā iemontētais ventilators un motors ir diezgan smagi (attiecas uz KVKE, KVO). Ventilatora motoram ir iebūvēta aizsardzība bloķētam rotoram, kas mēģina restartēt motoru ar iepriekš ieprogrammētu intervālu, kad rotors nedarbojas. Kad nosprostojs ir likvidēts, ventilators tiks automātiski startēts bez nepieciešamības veikt turpmākus pasākumus. Pie augstām motora temperatūrām tiks pārtraukta strāvas padeve motoram. Pēc tam to var restartēt tikai manuāli pārtraucot strāvas padevi uz vairākām minūtēm.

Transportēšana un uzglabāšana

Visi ventilatori rūpnīcā ir iepakoti, lai tos varētu normāli transportēt. Pārvietojot iekārtas, izmantojiet atbilstošu celšanas aprīkojumu, lai novērstu ventilatoru bojājumus un personāla ievainojumus. Neceliet ventilatorus aiz savienošanas kabeļa,

savienojumu kārbas, turbīnas vai ieplūdes konusa. Izvairieties no triecienu un triecienslodzes. Līdz uzstādīšanai uzglabājiet ventilatorus sausā vietā, kas nav pakļauta laikapstākļu iedarbībai un netīrumiem. Pieļaujamā uzglabāšanas temperatūra ir no -40 līdz +80 °C

Uzstādīšana

Skatiet iepriekš norādīto drošības informāciju. Uzstādīšanu, elektrisko savienošanu un nodošanu ekspluatācijā drīkst veikt tikai pilnvarots personāls atbilstoši prasībām un noteikumiem. Elektriskie savienojumi atbilstoši vadojuma shēmai spaiļu kārbā, marķējumi uz spaiļu blokiem vai uz kabeļa. Noslēdziet visus tukšos kabeļu savienojumus ar aizsargspraudņiem. Ventilators K-EC ir jāuzstāda kopā ar savienojumu kārbu ierīces virspusē ± 90 grādu leņķī. Ja tiek veikta pastāvīga uzstādīšana, izmantojot kabeļus ar diametru 12-14 mm, jānomaina caurvadizolators (attiecas uz ventilatora tipu K-EC). Uzstādiet ventilatoru gaisa plūsmas virzienā (skatiet buliņu uz ierīces). Ventilators ir jāuzstāda tā, lai vibrācijas netiktu pārnestas uz ventilācijas sistēmām vai ēkas karkasu. (Pieejami atbilstoši piederumi, piemēram, spaiļes un difuzori). Pārliecinieties, vai ventilatora mezgls ir droši nostiprināts un stabils. Ventilatoru var uzstādīt jebkurā virzienā, ja vien nav norādīts pretēji. Ventilatori ir jāuzstāda tā, lai to remontu un apkopi varētu veikt ērti un droši. No pārlieka trokšņa iespējams izvairīties, uzstādot klusinātāju (pieejams piederums).

Ventilatori ir paredzēti nepārtrauktai darbībai norādītajā temperatūras diapazonā.

Ventilatoriem, kas tiek atiestatīti, pārtraucot strāvas padevi, tas jāņem vērā, pievienojot apkārtējo aprīkojumu ar automātisku ieslēgšanas/izslēgšanas funkciju.

EC motoriem ir noplūdes strāva uz zemējumu, kas atbilst ≤3,5 mA. Tas jāņem vērā, kad ventilators tiek savienots ar zemētu strāvas pārtraucēju.

Iebūvēts potenciometrs

Iebūvētais potenciometrs ir iebūvēts rūpnīcā (**1-15 att.**). Šo vērtību var mainīt manuāli, lai iegūtu citu motora apgriezīgu/ventilatora veiktspēju. Šim nolūkam paredzētās ventilatora veiktspējas diagrammas ar sprieguma lēcieniem ir parādītas tabulā 11-25. lpp. (**1-15 att.**) pa labi no potenc. simboliem. Ja nepieciešams, var pievienot ārēju potenciometru. Tādā gadījumā iekšējais potenciometrs ir jāatvieno no savienojuma spailēm.

Tahometra izeja

Vadojuma shēmās redzamā spaiļe Nr. 1 (baltā signāla kabelis) iespējo apgriezīgu skaitītāja (viens impulss uz apgriezīgu), vadības ierīces, trauksmes un ātruma displeja savienojumu. Tahometrs pavājina signālu ar maks. 10mA.

Ekspluatācija

Pirms sākt darbību, pārbaudiet šādus apstākļus:

- Elektriskais savienojums ir uzstādīts pareizi.
- Ir pievienots aizsargvads.
- Drošības ierīces ir uzstādītas (aizsargrežģis)
- Atlikušie uzstādīšanas materiāli un citi materiāli ir izņemti no korpusa.

Pirms sākt ekspluatāciju, pārbaudiet:

- Vai savienojuma dati atbilst ierīces datu plāksnītē norādītajām specifikācijām: Maksimālais spriegums +6%, -10% saskaņā ar IEC 38. Nominālais strāvas stiprums nedrīkst būt pārsniegts vairāk par 5% pie nominālā sprieguma.
- Vai motors darbojas vienmērīgi (nav neparastu trokšņu).
- Ar ventilatoriem drīkst strādāt tikai cilvēks ar atbilstošām zināšanām vai apmācību šajā sfērā, vai arī darbs jāveic šādas personas pārraudzībā.

Uzturēšana, apkope un remonts

Pirms uzturēšanas, apkopes vai remonta darbu veikšanas pārliedzieties, vai:

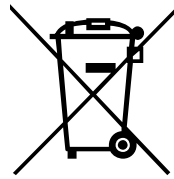
- Ir pārtraukta strāvas padeve (visu polu slēdzis).
- Ventilatora turbīna ir pilnībā apstājusies
- Ievērojiet personāla drošības noteikumus!

Ventilators ir jātīra pēc nepieciešamības, vismaz 1 reizi gadā, lai novērstu nelīdzsvarotību un gultņu bojājumus. Filtrs paildzinās laika intervālu starp katru ventilatora tīrīšanas reizi. (Dažreiz ieteicams uzstādīt filtra aizsargu). Ventilatora gultņiem nav jāveic apkope, un tie jānomaina bojājumu gadījumā. Neizmantojiet augstspiediena tīrītāju (tvaika strūklu) ventilatora tīrīšanai. Pārliedzieties, vai ventilatora

turbīnas līdzsvarotāji nav pārvietojusies un vai turbīna nav sašķiebusies. Klausieties, vai darbības laikā nav dzirdams neparasts trokšnis.

Ja ventilators ir apstājies, rīkojieties šādi:

- Mēģiniet atjaunot ventilatora darbību, izslēdzot strāvas padevi uz dažām minūtēm.
- Pārliedzieties, vai turbīna nav bloķēta. Likvidējiet iespējamo nosprostojumu, kad ir pārtraukta strāvas padeve. Pārbaudiet, vai ventilators ieslēdzas pēc strāvas padeves atjaunošanas. Ja ventilators joprojām nestrādā, sazinieties ar ventilatora iegādes vietu.



Likvidēšana un pārstrāde

Dzīvojamās ēkas produkti ar šādu simbolu uz datu plāksnītes atbilst EEIA direktīvai. Atbrīvojoties no iekārtas, ievērojiet vietējo likumdošanu un noteikumus. Šī produkta iepakojuma materiāli ir pārstrādājami un tos var izmantot atkārtoti. Neizmetiet mājsaimniecības atkritumos.

Attiecībā uz marķētiem komponentiem, piemēram, ventilatoriem, izjaukšanas instrukcijas ir atrodamas komponenta ražotāja mājas lapā.

EU-Conformiteitsverklaring

De fabrikant



Systemair Sverige AB
 Industrivägen 3
 73930 Skinnskatteberg ZWEDEN
 Kantoor: +46 222 440 00 Fax: +46 222 440 99
 www.systemair.com

verklaart hierbij dat de volgende producten waaronder Sileo versies:

Kanaalventilatoren met ronde aansluiting: K 100-315L EC, KVK Slim 100-160 EC, KD 315-400 EC, prio 450-500 EC, KV DUO 150-500 EC

Kanaalventilatoren met rechthoekige aansluiting: RS 30-15-100-50 EC, RSI 60-35-100-50 EC

Geïsoleerde kanaalventilatoren met ronde aansluiting: KVK Silent 125-160 EC

Dakventilatoren met ronde of vierkante aansluiting: TFSR /TFSK 160-200 EC

Thermische ventilatoren: KBT 160-250 EC

(De verklaring is uitsluitend van toepassing op de staat van het product bij levering en installatie in de faciliteit volgens de meegeleverde installatie-instructies. De verzekering dekt geen toegevoegde onderdelen of acties die na levering aan het product zijn uitgevoerd.)

In overeenstemming zijn met alle van toepassing zijnde eisen zoals vermeld in de volgende richtlijnen

Machinerichtlijn 2006/42/EG	Ecodesign-richtlijn 2009/125/EC
• Laagspanningsrichtlijn 2014/35/EU	327/2011 Eisen voor ventilatoren van meer dan 125 W
• EMC-richtlijn 2014/30/EU	1253/2014 Eisen voor ventilatieapparaten van meer dan 30 W
• RoHS-richtlijn 2011/65/EU (Residentiële units)	1254/2014 Eisen voor de energielabels van huishoudelijke ventilatieapparaten

De volgende geharmoniseerde normen zijn toegepast in de betreffende onderdelen:

EN ISO 12100:2010 Veiligheid van machines – Algemene ontwerpbeginsselen – Risicobeoordeling en risicobeperking.

EN 13857 Veiligheid van machines - Veiligheidsafstanden ter voorkoming van het bereiken van gevaarlijke zones door de bovenste en onderste ledematen

EN 60335-1 Huishoudelijke en soortgelijke elektrische toestellen - Veiligheid - Deel 1: Algemene eisen

EN 60.335-2-80 Huishoudelijke en soortgelijke elektrische toestellen - Veiligheid - Deel 2-80: Specifieke eisen voor ventilatoren

EN 62233 Meetmethoden voor elektromagnetische velden van huishoudelijke en soortgelijke elektrische toestellen met het oog op menselijke blootstelling.

EN 50 106:2007 Veiligheid van huishoudelijke en soortgelijke elektrische toestellen - Regels voor routinebeproevingen voor toestellen binnen het gebruiksbereik van EN 60 335-1 en EN 60967

EN 60529 Beschermingsgraden van omhulsels (IP-codering).

EN 60.204-1 Veiligheid van machines - Elektrische uitrusting van machines - Deel 1: Algemene eisen

EN 60730-1 Automatische elektrische regelaars voor huishoudelijk en soortgelijk gebruik – Deel 1: Algemene eisen

EN 61000-6-2 Elektromagnetische compatibiliteit (EMC) - Deel 6-2: Generieke normen – Immuniteit in industriële omgevingen

EN 61000-6-3 Elektromagnetische compatibiliteit (EMC) - Deel 6-3: Generieke normen – Emissienorm voor residentiële, commerciële en licht-industriële omgevingen

Skinnskattberg, 17-08-2018



Mats Sándor
 Technical Director

Veiligheidsinformatie

Dit systeem mag pas in bedrijf worden genomen als de montage- en veiligheidsinstructies zijn doorgelezen.

Alle ventilatoren zijn bedoeld voor het verplaatsen van lucht in luchtbehandelingssystemen. Bij installatie in onverwarmde ruimtes moet het ventilatorhuis worden geïsoleerd om condensatie te voorkomen. Ze zijn bedoeld voor gebruik nadat ze zijn ingebouwd in machines of kanaalsystemen of nadat een beschermrooster is geplaatst. (EN ISO 13857).

Ventilatoren met kanaalaansluitingen moeten aan beide zijdes zijn aangesloten op kanalen (inlaat/uitlaat). Er mogen geen bewegende delen bereikbaar zijn na installatie. De ventilatoren mogen niet worden gebruikt in gevaarlijke omgevingen of worden aangesloten op rookkanalen. De ventilatoren mogen niet buiten worden geïnstalleerd (behalve TFSR/TFSK EC, K EC). Veiligheidsaccessoires (bijv. beschermrooster) mogen niet worden gedemonteerd, omgeleid of buiten werking worden gesteld.

Dakventilatoren en KBT EC zijn uitsluitend bedoeld voor retourluchttoepassingen.

Dit toestel kan worden gebruikt door kinderen vanaf 8 jaar en personen met lichamelijke, zintuiglijke of verstandelijke beperkingen dan wel gebrek aan ervaring en kennis, mits zij onder toezicht worden gesteld dan wel worden geïnstrueerd over het veilige gebruik van het toestel en de daaruit voortvloeiende gevaren hebben begrepen. Kinderen mogen niet met het toestel spelen. Werkzaamheden voor reiniging en gebruikersonderhoud mogen zonder toezicht niet door kinderen worden uitgevoerd.

Er moeten voorzorgsmaatregelen worden genomen om te voorkomen dat er uitlaatgassen terugstromen vanuit rookkanalen of andere, in dezelfde ruimte geïnstalleerde toestellen die werken op gas of andere brandstoffen.

Het toestel moet worden aangesloten op een netvoedingsschakelaar in de vaste installatie.

LET OP: Schakel voor service en onderhoud de ventilator uit (d.m.v. een schakelaar die alle polen uitschakelt) en controleer of de waaier stil staat. LET OP: De ventilatoren kunnen scherpe randen en hoeken hebben, die letsel kunnen veroorzaken. LET OP: Wees voorzichtig bij het openen van de serviceluien van de ventilator (swing-out). De op het luik gemonteerde ventilator en motor zijn relatief zwaar (geldt voor KVKE, KVO).

De ventilatormotor heeft een ingebouwde beveiliging voor geblokkeerde rotor, wat ervoor zorgt dat de motor opnieuw zal proberen te starten met een voorgeprogrammeerde interval, elke keer als geregistreerd wordt dat de rotor stil staat. Als de blokkering is verholpen, zal de ventilator zonder verdere maatregelen uit zichzelf opstarten. Bij hoge motortemperaturen zal de stroom naar de ventilator worden afgesloten. De ventilator kan dan alleen opnieuw worden gestart door de voeding naar de ventilator handmatig enkele minuten te onderbreken.

Transport en opslag

Alle ventilatoren worden in de fabriek zo verpakt, dat ze bestand zijn tegen normale transporthandelingen. Gebruik bij het hanteren van de goederen geschikte hefinrichtingen om schade aan ventilatoren en letsel bij personeel te voorkomen. Til de ventilatoren nooit op aan het aansluitnoer, de aansluitdoos, waaier of inlaatconus. Voorkom stoot- en schokbelastingen. Bewaar de ventilatoren tot definitieve installatie op een droge plek, beschermd tegen weersinvloeden en vuil. Toegestane opslagtemperatuur -40...+80°C

Installatie

Raadpleeg de veiligheidsinformatie hierboven. Het installeren, elektrisch aansluiten en in bedrijf stellen mag alleen worden verricht door bevoegd personeel en conform normen en eisen. De elektrische aansluiting dient conform het bedradingsschema in de klemmenkast en de gegevens op de klemmenstroken of op de kabel te zijn. Eventuele lege kabelwartels afsluiten met afsluitpluggen. De K-EC-ventilator moet met de aansluitdoos bovenop de eenheid en in een hoek van 90° worden geïnstalleerd. Bij permanente installatie met kabels met een diameter van 12-14 mm, moet de ingangsbuis worden vervangen (geldt voor type K-EC). Monteer de ventilator in de richting van de luchtstroom (zie pijl op de eenheid). De ventilator moeten zo worden geïnstalleerd, dat trillingen niet worden overgedragen aan het kanaalsysteem of de constructie. (geschikte accessoires zoals klembanden en trillingsdempers zijn beschikbaar). Controleer of de ventilator stevig en stabiel is gemonteerd. De ventilator kan in elke richting worden gemonteerd, tenzij anders aangegeven. De ventilatoren moeten zo worden gemonteerd dat service en onderhoud eenvoudig en veilig uitgevoerd kunnen worden. Storend geluid kan worden voorkomen door een geluiddemper te installeren (beschikbare accessoire).

De ventilatoren zijn bedoeld voor continu gebruik binnen het gestelde temperatuurbereik.

Bij het aansluiten van apparatuur met een automatische aan/uit functie, moet rekening worden gehouden met ventilatoren die zijn gereset door loskoppelen van de voeding.

EC-motoren hebben een lekstroom naar aarde van $\leq 3,5$ mA. Hiermee dient elke keer dat een ventilator samen met een verliesstroomschakelaar aangesloten wordt, rekening te worden gehouden.

Ingebouwde potentiometer

De ingebouwde potentiometer is af fabriek ingesteld (**afb. 1-15**). Deze waarde kan handmatig worden gewijzigd om een ander

motortoerental/ventilatorrendement te verkrijgen.

Grafieken van ventilatorrendement voor deze toepassing inclusief spanningssprongen staan in de tabel op pagina 11-25 (**afb. 1-15**) rechts van de potentiometersymbolen. Een externe potentiometer kan indien nodig worden aangesloten. In dat geval moet de ingebouwde potentiometer worden losgekoppeld van de aansluitklemmen.

Tacho-uitgang

Aansluiting nr. 1 in de bedradingsschema's (witte signaalkabel) maakt aansluiting van een toerenteller (een puls per omwenteling), regelaar, alarm of een snelheidsscherm mogelijk. De tachograaf geeft een signaal van max. 10 mA af.

Bediening

Controleer voor het eerste gebruik het volgende:

- Is de elektrische aansluiting correct uitgevoerd?
- Is de beschermingsleiding aangesloten?
- Zijn veiligheidsvoorzieningen (beschermrooster) geplaatst?

- Zijn overblijvende installatiematerialen en productvreemde materialen van het ventilatorhuis verwijderd?

Controleer bij de inbedrijfstelling het volgende:

- Corresponderen de aansluitgegevens met de specificaties op het typeplaatje? Maximum spanning +6%, -10% volgens IEC 38. De toegekende stroom mag niet hoger zijn dan de toegekende spanning +5%.
- De motor moet gelijkmatig lopen (geen abnormale geluiden).
- De ventilatoren mogen alleen worden bediend door een persoon met voldoende kennis of opleiding op dit gebied of onder de supervisie van een dergelijke persoon.

Onderhoud, service en reparatie

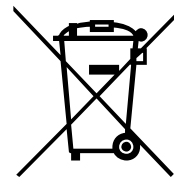
Controleer voor onderhoud, service en reparatie of:

- De stroom is onderbroken (onderbreking van alle polen).
 - De ventilatorwaaier volledig tot stilstand is gekomen.
 - Houd u aan de persoonlijke veiligheidsvoorschriften!
- Indien nodig (minimaal een keer per jaar) moet de ventilator worden gereinigd om onbalans en onnodige

schade aan de lagers te voorkomen. Een filter zal de periode tussen reinigingsbeurten verlengen. (Installatie van een filterbescherming is soms aan te raden). De ventilatorlagers zijn onderhoudsvrij en hoeven alleen te worden vervangen als ze beschadigd zijn. Gebruik geen hogedrukreiniger (stoomstraal) bij het reinigen van de ventilator. Zorg dat de balanceergewichten van de ventilatorwaaier niet worden verplaatst of dat de ventilatorwaaier vervormd raakt. Luister naar abnormale geluiden tijdens het draaien.

Het volgende is van toepassing als de ventilator is gestopt:

- Probeer de ventilator opnieuw te starten door de stroom een paar minuten te onderbreken.
- Controleer of de waaier niet is geblokkeerd. Een eventueel obstakel dient, nadat de stroom is afgesloten, te worden verwijderd. Controleer of de ventilator start nadat de stroom weer is ingeschakeld. Neem contact op met uw verkoper als de ventilator nog steeds niet start.



Verwijdering en recycling

Residentiële producten met dit symbool op het naamplaatje voldoen aan de WEEE-richtlijn. Volg bij het verwijderen van de unit de plaatselijke regels en voorschriften. Het verpakkingsmateriaal van dit product is recyclebaar en kan worden hergebruikt. Gooi het

product niet weg met het huishoudafval.

De instructies voor het demonteren van onderdelen met een label, zoals bijvoorbeeld ventilatoren, kunt u vinden op de website van de fabrikant.

EU Samsvarserklæring

Produsent



Systemair Sverige AB
 Industrivägen 3
 SE-73930 Skinnskatteberg SVERIGE
 Tlf.: +46 222 440 00 Faks: +46 222 440 99
www.systemair.com

erklærer at følgende produkter inkludert Sileo versjoner:

Kanalvifter med sirkulær tilkobling: K 100-315L EC, KVK Slim 100-160 EC, KD 315-400 EC, prio 450-500 EC, KV DUO 150-500 EC

Kanalvifter med rektangulær tilkobling: RS 30-15–100-50 EC, RSI 60-35–100-50 EC

Isolerte kanalvifter med sirkulær tilkobling: KVK Silent 125-160 EC

Takvifter med sirkulær eller firkantet tilkobling: TFSR /TFSK 160-200 EC

Varmluftsvifter: KBT 160-250 EC

(Erklæringen gjelder kun for produktet i den tilstanden det ble levert inn og installert i anlegget i samsvar med den medfølgende monteringsanvisningen. Forsikringen dekker ikke komponenter som er lagt til eller handlinger som senere er blitt utført på produktet)

Samsvarer med alle gjeldende krav i følgende direktiver

<ul style="list-style-type: none"> • Maskindirektiv 2006/42/EF • Lavspenningsdirektivet 2014/35/EU • EMC-direktivet 2014/30/EU • RoHS-direktiv 2011/65/EU (Boliger) 	<ul style="list-style-type: none"> • Ecodesign-direktiv 2009/125/EC <p>327/2011 Krav for vifter over 125 W 1253/2014 Krav for ventilasjonsenaggregater over 30 W 1254/2014 Krav for energimerking av boligventilasjonsaggregater</p>
---	---

Følgende harmoniserende standarder er brukt i gjeldende deler:

EN ISO 12100:2010	Maskinsikkerhet – Hovedprinsipper for konstruksjon – Risikovurdering og risikoreduksjon.
EN 13857	Maskinsikkerhet – Sikkerhetsavstander for å forhindre at faresoner nås med armer eller ben.
EN 60335-1	Husholdningsapparater og lignende elektriske apparater – Sikkerhet del 1: Generelle krav
EN 60 335-2-80	Husholdningsapparater og lignende elektriske apparater – Sikkerhet – del 2-80: Særskilte krav for vifter.
EN 62233	Metode for måling av elektromagnetiske felt i husholdningsapparater og lignende med hensyn til stråling.
EN 50106:2007	Sikkerhet for husholdningsapparater og lignende apparater – Særskilte regler for rutinemessige tester som henviser til apparater som omfattes av EN 60335-1 og EN 60967.
EN 60529	Grader av beskyttelse fra kapsling (IP-kode).
EN 60 204-1	Maskinsikkerhet – EI-utrustning for maskiner – Del 1: Generelle krav.
EN 60730-1	Automatiske elektriske kontroller for husholdninger og lignende bruk – Del 1: Generelle krav.
EN 61000-6-2	Elektromagnetisk kompatibilitet (EMC) – Del 6-2: Generiske standarder – Immunitet for industrielle omgivelser.
EN 61000-6-3	Elektromagnetisk kompatibilitet (EMC) – Del 6-3: Generisk standarder – Emisjonsstandarder for privat, kommersielt og lettindustrielle omgivelser.

Skinnskattberg 17-08-2018



Mats Sándor
 Teknisk direktør

Sikkerhet

Les monteringsinstruksjoner og sikkerhetsinformasjon før du tar viften i bruk.

Alle viftene er beregnet for transport av luft i ventilasjonssystemer. Ved installasjon i rom som ikke er oppvarmet må viftene isoleres for å unngå kondensering. Viftene skal ikke tas i bruk før de er koblet til kanaler eller før beskyttelsesgitter er montert. (EN ISO 13857). Kanalvifter må kobles til kanaler både på suge- og trykkside. Etter installasjon/kanaltilkobling skal det ikke være mulig å berøre bevegelige deler i systemet. Viftene skal ikke brukes i brannfarlige eller eksplosive miljøer eller tilsluttes røykgasskanaler. Viftene skal kun monteres innendørs (unntatt TFSR / TFSK EC, K EC). Sikkerhetsdetaljer (f.eks. berøringsbeskyttelse) skal ikke demonteres, forbi kobles eller frakobles. Takvifter og KBT EC er kun ment til avtrekksluft. Viften kan brukes av barn fra 8 år og oppover og personer med nedsatte fysiske, sensoriske og mentale evner eller manglende erfaring og kunnskap dersom de er under tilsyn eller har fått instruksjoner om bruk av viften på en sikker måte og forstår farene forbundet med det. Barn må ikke leke med viften. Barn må ikke utføre rengjøring og vedlikehold uten tilsyn.

Det må tas forholdsregler for å hindre tilbakestrømning av avgasser fra røykkanaler fra andre apparater som er installert i samme rom, som drives av gass eller annet drivstoff.

Viften må kobles til en skillebryter i den faste installasjonen.

MERK: Før service og vedlikehold utføres, må strømmen kobles fra (alle poler brytes). Pass også på at viftehjulet har stoppet helt.

MERK: Viftene kan ha skarpe kanter og hjørner som kan forårsake skader. **MERK:** Utvis forsiktighet ved åpning av viftens serviceluke, da vifte med motor montert på døren kan være relativt tung (gjelder viftetype KVKE, KVO).

Viftemotoren har en innebygd beskyttelse for låst rotor, noe som innebærer at motoren prøver å starte på nytt med et forhåndsprogrammert intervall når den merker at rotoren står stille. Når blokkeringen er fjernet vil viften starte opp av seg selv uten ytterligere tiltak. Strømmen kuttes til motoren ved høye motortemperaturer. Viften kan kun startes igjen ved manuelt å koble fra hovedstrømforsyningen til viften og holde den frakoblet et par minutter.

Transport og lagring

Alle vifter er pakket for å kunne tåle normal godshåndtering. Under godshåndtering er det viktig å bruke tilpasset løfteanordning, slik at skade på vifter og personer unngås. Løft ikke viftene etter forbindelsesledningen, koblingsboksen, viftehjulet eller innløpskone. Unngå støt og slag. Oppbevar viftene på et tørt sted, beskyttet mot smuss, vær og vind, inntil endelig montering finner sted. Tillatte oppbevaringstemperaturer -40 til +80 °C

Installering

Se også avsnitt om sikkerhet ovenfor. Installering, elektrisk tilkobling og driftstart, skal kun utføres av autorisert installatør i samsvar med gjeldene forskrifter og krav. Elektrisk tilkobling skal gjøres i samsvar med koblingsskjemaet i koblingsboksen, merkingen på rekkeklemmen eller på kabelen. Lukk eventuelle tomme kabelmuffer med blindplugg (isolerplugg). K-EC-viften må monteres med koblingsboksen på toppen av enheten ±90 grader. Hvis viften kobles til permanent med en kabel med diameter 12–14 mm, må kabelgjennomføringen i koblingsboksen skiftes ut (gjelder viftetype K-EC). Monter viften i korrekt retning, (se lufttretningspil). Viften skal monteres slik at vibrasjoner ikke kan overføres til kanalsystemene eller bygningsstammen. (festeklemmer og mansjetter er tilgjengelige som tilbehør). Etter monteringen må du kontrollere at viften sitter godt fast og at den er stabil. Viften kan monteres i valgfri posisjon, dersom ikke annet er oppgitt. Viften skal monteres slik at service og vedlikehold kan utføres på en enkel og forsvarlig måte. Forstyrrende lyd kan forebygges ved å installere lydempere (finnes som tilbehør). Viftene er beregnet for kontinuerlig drift innen det angitte temperaturområdet.

Vifter som manuelt må gjøres spenningsløse for tilbakestilling etter utløst motorvern, må ikke tilkobles utstyr med automatisk gjeninnkobling.

EC-motorer har en lekkasjestrøm til jord tilsvarende $\leq 3,5 \text{ mA}$. Dette må tas i betraktning når viften er koblet sammen med en jordfeilbryter.

Integrert potensiometer

Det integrerte potensiometeret er forhåndsinnstilt fra fabrikken (**Fig. 1-15**). Denne verdien kan endres manuelt for å få en annen motoromdreining / vifteytelse. Vifteytelsesdiagrammer for dette formålet med inkluderte spenningstrinn er vist i tabellen på side 11-25 (**Fig. 1-15**) til høyre for potensiometersymbolene. Et eksternt potensiometer kan kobles til etter behov. I så fall må det interne potensiometeret kobles fra rekkeklemmene.

Utgang for takometer

Rekkeklemme nr. 1 i koblingsskjemaene (hvit signalkabel) muliggjør tilkobling av turteller (et støt per omdreining), regulator, alarm eller hastighetsdisplay. Takometeret avgir et signal ved maks. 10 mA

Drift

Før driftsstart skal følgende kontrolleres:

- Elektrisk tilkobling er slutført
- Jordkabel er tilkoblet.
- Sikkerhetsanordninger er montert (berøringsbeskyttelse)
- Ingen fremmedlegemer befinner seg i viften.

Ved igangsetting kontrolleres følgende:

- At oppgitte data på viftens typeskilt ikke overskrides: Maksimalt tillatt spenning +6 %, -10 %, ifølge IEC 38. Merkestrøm må ikke overskrides med mer enn 5 % ved merkespenning.

- At det ikke kommer ulyder fra viften.
- Vifter skal kun håndteres av personer med kunnskap eller relevant utdannelse innen faget, evt. kan arbeidet utføres under tilsyn av fagperson.

Vedlikehold, service og reparasjon

Før vedlikehold, service eller reparasjon må du kontrollere at:

- Viftens strømforsyning er koblet fra, (alle poler brytes).
- Viftehjulet har stoppet
- Gjeldende sikkerhetsforskrifter er lest.

Viften skal rengjøres ved behov, dog minst en gang per. år, for å unngå ubalanse og unødige lagerskader. Et filter foran viften vil forlenge rengjøringsintervallet. (Noen ganger er det anbefalt å installere et filtervern). Viftens lager er vedlikeholdsfrie og skal bare byttes ved eventuelle skader. Viften må ikke rengjøres med høytrykksspyler. Utvis forsiktighet ved rengjøring, slik at viftehjulets balansevekt er ikke blir forskjøvet eller at viftehjulet deformeres. Kontroller at det ikke kommer ulyder fra viften.

Følgende gjelder dersom viften har stoppet:

- Forsøk å starte viften på nytt ved å kutte strømmen et par minutter.
- Kontroller at viftehjulet ikke er blokkert. Mulige hindre fjernes etter at strømmen er blitt kuttet. Kontroller at viften starter etter at strømmen er koblet til igjen. Dersom viften fremdeles ikke vil starte, må du ta kontakt med kjøpsstedet.



Avfallshåndtering og resirkulering

Boligprodukter med dette symbolet på navneskiltet er i samsvar med WEEE-direktivet. Lokale regler og forskrifter for avfallshåndtering av elektronisk avfall må følges.

Dette produktets emballasjematerialer kan gjenvinnes og brukes om igjen. Skal ikke kastes

sammen med husholdningsavfall.

For merkede komponenter som for eksempel vifter, finner du demonteringsanvisninger på komponentprodusentens hjemmeside.

Deklaracja zgodności UE

Producent



Systemair Sverige AB
 Industrivägen 3
 SE-73930 Skinnskatteberg, SZWECJA
 Biuro: +46 222 440 00 Faks: +46 222 440 99
www.systemair.com

niniejszym potwierdza, że następujące produkty łącznie z wersjami sileo:

Wentylatory do kanałów okrągłych: K 100-315L EC, KVK Slim 100-160 EC, KD 315-400 EC, prio 450-500 EC, KV DUO 150-500 EC

Wentylatory do kanałów prostokątnych: RS 30-15-100-50 EC, RSI 60-35-100-50 EC

Wentylatory izolowane do kanałów okrągłych: KVK Silent 125-160 EC

Wentylatory dachowe z przyłączem okrągłym lub kwadratowym: TFSR /TFSK 160-200 EC

Termowentylatory: KBT 160-250 EC

(Deklaracja dotyczy wyłącznie produktów w niezmienionym stanie od czasu dostawy, zainstalowanych w obiekcie zgodnie z dołączoną instrukcją montażu. Ubezpieczenie nie obejmuje dodanych elementów ani późniejszych modyfikacji produktów).

Spełniają wszystkie obowiązujące postanowienia następujących dyrektyw

<ul style="list-style-type: none"> • Dyrektywa maszynowa 2006/42/WE • Dyrektywa niskiego napięcia 2014/35/UE • Dyrektywa kompatybilności elektromagnetycznej 2014/30/UE • Dyrektywa 2011/65/UE RoHS – (jednostki mieszkalne) 	<ul style="list-style-type: none"> • Dyrektywa 2009/125/WE Parlamentu Europejskiego i Rady ws. wymogów dotyczących ekoprojektu 327/2011 Wymagania dotyczące wentylatorów o mocy powyżej 125 W 1253/2014 Wymagania dotyczące centrali wentylacyjnych o mocy powyżej 30 W 1254/2014 Wymagania dotyczące umieszczania informacji o zużyciu energii na centralach wentylacyjnych przeznaczonych do budynków mieszkalnych
--	---

W odpowiednich częściach zastosowano następujące normy zharmonizowane:

EN ISO 12100:2010	Bezpieczeństwo maszyn – Ogólne zasady projektowania – Ocena ryzyka i zmniejszanie ryzyka.
EN 13857	Bezpieczeństwo maszyn – Odległości bezpieczeństwa uniemożliwiające sięganie kończynami górnymi i dolnymi do stref niebezpiecznych.
EN 60 335-1	Bezpieczeństwo elektryczne urządzeń domowych i podobnych – Część 1: Wymagania ogólne.
EN 60 335-2-80	Bezpieczeństwo elektryczne urządzeń domowych i podobnych – Część 2-80: Wymagania szczegółowe dla wentylatorów.
EN 62233	Metody pomiaru pól elektromagnetycznych elektrycznego sprzętu do użytku domowego i podobnego z uwzględnieniem narażania człowieka.
EN 50 106:2007	Bezpieczeństwo elektrycznych przyrządów do użytku domowego i podobnego – Postanowienia szczegółowe dotyczące badań wyrobu przyrządów wchodzących w zakres EN 60 335-1 i EN 60967.
EN 60529	Stopnie ochrony zapewnianej przez obudowy (kod IP).
EN 60 204-1	Bezpieczeństwo maszyn – Wyposażenie elektryczne maszyn – Część 1: Wymagania ogólne.
EN 60730-1	Automatyczne regulatory elektryczne do użytku domowego i podobnego – Część 1: Wymagania ogólne.
EN 61000-6-2	Kompatybilność elektromagnetyczna (EMC) – Część 6-2: Normy ogólne – Odporność w środowiskach przemysłowych.
EN 61000-6-3	Kompatybilność elektromagnetyczna (EMC) – Część 6-3: Normy ogólne – Wymagania dotyczące emisyjności w środowisku mieszkalnym, handlowym i lekko uprzemysłowionym.

Skinnskattberg 17-08-2018



Mats Sándor
 Dyrektor Techniczny

Informacje dotyczące bezpieczeństwa

Eksplatację urządzenia można rozpocząć dopiero po uprzednim przeczytaniu instrukcji montażu i informacji dotyczących bezpieczeństwa.

Wszystkie wentylatory są przeznaczone do przetłaczania powietrza w systemach wentylacji bytowej. W przypadku montażu w pomieszczeniach nieogrzewanych, obudowę wentylatora należy zaizolować, aby uniknąć kondensacji pary wodnej. Wentylatory można eksploatować po wbudowaniu ich w instalacje lub urządzenia, których część mają stanowić, albo po zainstalowaniu osłon ochronnych na wlotach/częściach wirujących (EN ISO 13857). Wentylatory kanałowe muszą być obustronnie podłączone do instalacji kanałowej (wlot/ wylot). Po zakończeniu montażu żadne wirujące części wentylatora nie mogą być dostępne z zewnątrz. Wentylatory nie mogą być eksploatowane w warunkach niebezpiecznych ani używane do wyciągu z kominów, okapów kuchennych itd. Wentylatory nie mogą być montowane na zewnątrz (nie dotyczy wentylatorów dachowych oraz wentylatorów w obudowie o odpowiedniej wymaganej klasie IP (TFSR/TFSK EC, K EC)). Nie wolno demontować, zwierać ani odłączać elementów zabezpieczających (np. zabezpieczeń termicznych, kratek ochronnych). Wentylatory dachowe i KBT EC są przeznaczone wyłącznie do przemieszczania powietrza wyciągowego.

Urządzenie może być używane przez dzieci w wieku 8 lat i starsze, a także przez osoby o ograniczonej sprawności fizycznej, sensorycznej lub umysłowej, albo nie mające odpowiedniego doświadczenia lub wiedzy, jeśli znajdują się pod odpowiednią opieką lub zostały przeszkolone w zakresie bezpiecznej obsługi urządzenia i znają związane z tym zagrożenia. Dzieci nie powinny bawić się urządzeniem. Dzieci nie powinny czyścić ani konserwować urządzenia bez nadzoru. Należy podjąć odpowiednie środki ostrożności, aby zapobiec cofaniu się spalin z kanałów spalinowych innych urządzeń zainstalowanych w tym samym pomieszczeniu, które są opalane gazem lub innym paliwem.

Urządzenie musi zostać podłączone do wyłącznika sieciowego w instalacji stałej.

UWAGA! Przed przystąpieniem do obsługi lub serwisowania należy odłączyć zasilanie (wyłącznik izolacyjny na wszystkich przewodach roboczych) i zaczekać, aż wirnik się zatrzyma. UWAGA! Wentylatory i wirniki mogą mieć ostre krawędzie i naroża, mogące być przyczyną skaleczeń. UWAGA! W wentylatorach, gdzie silnik osadzony jest na klapie uchylnej, należy zachować ostrożność podczas jej otwierania – wentylator i silnik są dość ciężkie (dotyczy modeli KVKE, KVO).

Silnik wentylatora ma wbudowane zabezpieczenie blokady wirnika, co oznacza, że silnik próbuje uruchomić się ponownie z wstępnie zaprogramowaną częstotliwością, kiedy wykryje, że wirnik nie obraca się. Po usunięciu blokady wentylator uruchomi się samoczynnie. W razie wysokiej temperatury silnika zostanie odcięte zasilanie. W takim przypadku można

będzie go uruchomić tylko ręcznie, odcinając na kilka minut zasilanie wentylatora.

Transport i przechowywanie

Wszystkie wentylatory posiadają opakowanie fabryczne, przystosowane do standardowych warunków transportu. Do transportu i podnoszenia należy używać narzędzi oraz urządzeń o odpowiedniej nośności, aby uniknąć uszkodzeń transportowych i obrażeń ciała. Nie podnosić wentylatorów za kable elektryczne, puszkę przyłączeniową, wirnik wentylatora lub stożek wlotowy. Urządzenia należy chronić przed wstrząsami i upadkiem. Przed montażem wentylatory należy chronić przed warunkami atmosferycznymi i kurzem, przechowując je w suchym pomieszczeniu. Dopuszczalne temperatury przechowywania: -40...+80°C

Montaż

Patrz wyżej – Informacje dotyczące bezpieczeństwa. Montaż, podłączenie elektryczne i odbiór mogą być wykonywane tylko przez autoryzowany personel zgodnie z odpowiednimi przepisami i wymaganiami. Podłączenie elektryczne należy wykonać zgodnie ze schematem umieszczonym w puszcze przyłączeniowej, oznaczeniami na listwie zaciskowej albo na przewodach. Wszelkie nieużywane dławiki kablowe zatykać zaślepkami. Wentylatory serii K-EC należy montować w pozycji z puszką przyłączeniową do góry (dopuszczalne odchylenie od pionu wynosi +/- 90°). W przypadku montażu na stałe za pomocą przewodów o średnicy 12-14 mm, należy zastąpić tuleję wlotową (dotyczy typu K-EC). Wentylator należy montować w kanałach zgodnie ze strzałkami pokazującymi kierunek przepływu powietrza (patrz strzałki na obudowie). Wentylator należy zamontować w taki sposób, aby występujące podczas pracy drgania nie przenosiły się na kanały wentylacyjne i konstrukcję budynku. (Można nabyć odpowiednie akcesoria, takie jak klamry montażowe i nawiewniki). Wentylator musi być zamontowany w sposób trwały i stabilny. W razie braku innych zaleceń, wentylator można zamontować w dowolnej orientacji. Montaż wentylatorów powinien umożliwiać łatwe i bezpieczne serwisowanie i konserwację. Aby uniknąć dokuczliwego hałasu, można zainstalować tłumik (dostępny jako wyposażenie dodatkowe).

Wentylatory są przeznaczone do pracy ciągłej w podanym zakresie temperatur.

W przypadku wentylatorów resetowanych poprzez odcięcie zasilania, należy to wziąć pod uwagę przy podłączeniu innych urządzeń z funkcją automatycznego włączania/ wyłączenia.

Silniki EC mają prąd upływowy o wartości $\leq 3,5$ mA. Należy to uwzględnić podczas podłączania wentylatora z wyłącznikiem przeciwporażeniowym.

Zintegrowany potencjometr

Wentylatory posiadają potencjometr do manualnej nastawy prędkości obrotowej wirnika (**Rys. 1-15**). Potencjometr pozwala zmieniać wartość napięcia

sterującego wentylatora w zakresie 0-10 V DC. W tabeli na stronie 11-25 (**Rys. 1-15**) podane są krzywe wydatku wentylatora dla wybranych wartości napięć sterujących. Zamiast fabrycznego potencjometru do sterowania obrotami wentylatora można zastosować zewnętrzny sygnał regulacyjny (wentylator fabryczny należy wcześniej odłączyć).

Wyjście tachografu

Zacisk nr 1 na schemacie połączeń (biały kabel sygnałowy) umożliwia podłączenie licznika obrotów (jeden impuls na obrót), kontrolera, alarmu lub obrotomierza. Wyjście tachografu zwiera do masy sygnał $I_{max}=10$ mA.

Użytkowanie

Przed pierwszym uruchomieniem należy sprawdzić:

- poprawność podłączenia elektrycznego;
- podłączenie przewodu ochronnego PE;
- czy zainstalowano osłony (kratkę ochronną);
- czy z wnętrza wentylatora/lub kanałów usunięto pozostałości po procesie montażowym.

Podczas pierwszego uruchomienia należy sprawdzić:

- czy dane przyłącza odpowiadają specyfikacji podanej na tabliczce znamionowej: napięcie maksymalne +6%, -10%, zgodnie z IEC 38; prąd znamionowy nie może przekraczać napięcia znamionowego o więcej niż 5%;
- czy silnik płynnie pracuje (bez nietypowego hałasu);
- wentylatory mogą być obsługiwane tylko przez osoby mające odpowiednią wiedzę lub wykształcenie w tej dziedzinie lub pod nadzorem takich osób.

Konserwacja, serwisowanie i naprawy

Przed rozpoczęciem konserwacji, serwisowania i naprawy należy upewnić się, że:

- zostało odcięte zasilanie (wyłącznik izolacyjny na wszystkich przewodach roboczych);
- wirnik wentylatora zatrzymał się;
- zostały spełnione wymagania dotyczące bezpieczeństwa!

Wentylator należy czyścić w razie potrzeby, co najmniej raz w roku, aby uniknąć niewyważenia od nawarstwionych zanieczyszczeń i przedwczesnego

uszkodzenia łożysk. Filtr wytrzymuje okres czasu między kolejnym czyszczeniem wentylatora. (Zaleca się zainstalowanie filtra ochronnego, o ile nie został wcześniej zainstalowany). Łożyska wentylatorów są bezobsługowe i należy je wymieniać tylko w razie uszkodzeń. Nie wolno używać myjki wysokociśnieniowej (dyszy parowej) do mycia wentylatora. Zwrócić uwagę, aby czyszcząc wirnik nie usunąć albo nie przemieścić odważników wyważających turbinę wentylatora. Nasłuchiwać nietypowych odgłosów pracy.

Kiedy wentylator zatrzyma się, należy:

- spróbować uruchomić go ponownie, odcinając zasilanie na kilka minut;
- upewnić się, że wirnik nie jest zablokowany; ewentualną blokadę należy usuwać po odcięciu zasilania; sprawdzić, czy wentylator uruchamia się po ponownym podłączeniu zasilania; jeśli wentylator nadal nie uruchamia się, należy skontaktować się ze sprzedawcą.

Usuwanie i recykling

Produkty gospodarstwa domowego, na których



tabliczce znamionowej widnieje ten symbol, spełniają wymagania dyrektywy w sprawie zużytego sprzętu elektrycznego i elektronicznego (WEEE). Urządzenie należy usuwać w sposób zgodny z wymaganiami lokalnych przepisów i rozporządzeń. Materiały na opakowanie produktu nadają się do zawrócenia do obiegu i mogą zostać wykorzystane

powtórnie. Nie usuwać razem z odpadami z gospodarstwa domowego.

Instrukcje dotyczące rozbierania na części podzespołów stosownie oznakowanych, takich jak na przykład wentylatory, są dostępne na stronach internetowych ich producentów.

EU Декларация о соответствии

Изготовитель



Systemair Sverige AB
 Industrivägen 3
 SE-73930 Skinnskatteberg ШВЕЦИЯ
 Тел.: +46 222 440 00 Факс: +46 222 440 99
www.systemair.com

подтверждает, что следующее оборудование включая версии Sileo:

канальные вентиляторы для круглых воздуховодов: K 100-315L EC, KVK Slim 100-160 EC, KD 315-400 EC, prio 450-500 EC, KV DUO 150-500 EC

канальные вентиляторы для прямоугольных воздуховодов: RS 30-15–100-50 EC, RSI 60-35–100-50 EC

изолированные канальные вентиляторы для круглых воздуховодов: KVK Silent 125-160 EC

крышные вентиляторы для квадратных воздуховодов: TFSR/TFSK 160-200 EC

Высокотемпературные вентиляторы: KBT 160-250 EC

(Действие настоящей декларации распространяется только на продукцию, находящуюся в состоянии, в котором она была доставлена и смонтирована на объекте в соответствии с руководством по монтажу, входящим в комплект поставки. Гарантия не распространяется на компоненты, установленные отдельно, и действия, выполненные впоследствии.)

соответствует требованиям указанных ниже нормативных директив.

<ul style="list-style-type: none"> • директива по машиностроению 2006/42/EC • директива по низковольтному оборудованию 2014/35/EU • директива по электромагнитной совместимости 2014/30/EU • Директива RoHS 2011/65/EC (жилые здания) 	<ul style="list-style-type: none"> • Директива по экодизайну 2009/125/EC 327/2011 Требования к вентиляторам мощностью свыше 125 Вт 1253/2014 Требования к вентиляционным установкам мощностью свыше 30 Вт 1254/2014 Требования к выполнению маркировки с информацией об энергопотреблении вентиляционных установок жилых помещений
---	--

Учтены требования указанных ниже гармонизированных стандартов.

EN ISO 12100:2010	Безопасность оборудования. Общие принципы конструирования. Оценка и снижение риска.
EN 13857	Безопасность оборудования. Безопасные расстояния для предотвращения контакта верхних или нижних конечностей с опасными зонами.
EN 60 335-1	Бытовые и аналогичные электрические приборы. Безопасность. Часть 1. Общие требования.
EN 60 335-2-80	Бытовые и аналогичные электрические приборы. Безопасность. Часть 2-80. Особые требования к вентиляторам.
EN 62233	Методы измерения электромагнитных полей, создаваемых бытовыми и аналогичными электрическими приборами, в части их воздействия на человека.
EN 50 106:2007	Безопасность бытовых и аналогичных электрических приборов. Особые правила проведения контрольных испытаний, имеющих отношение к приборам, согласно стандартам EN 60 335-1 и EN 60967.
EN 60529	Степени защиты, обеспечиваемые оболочками (код IP).
EN 60 204-1	Безопасность оборудования. Электрооборудование промышленных машин. Часть 1. Общие требования.
EN 60730-1	Автоматические электрические регуляторы для бытового и аналогичного назначения. Часть 1. Общие требования.
EN 61000-6-2	Электромагнитная совместимость (ЭМС). Часть 6-2. Общие требования. Невосприимчивость к промышленной окружающей среде.
EN 61000-6-3	Электромагнитная совместимость (ЭМС). Часть 6-3. Общие стандарты. Излучение. Общие стандарты для бытового, офисного, торгового и аналогичного оборудования.

Скиннскаттеберг, 17-08-2018



Mats Sandor (Mats Sándor),
 технический директор

Техника безопасности

Это оборудование можно вводить в эксплуатацию только после изучения руководства по монтажу и правил безопасности.

Все вентиляторы предназначены для перемещения воздуха в воздухообрабатывающих системах. Если вентилятор устанавливается в неотапливаемом помещении, корпус вентилятора необходимо изолировать во избежание образования конденсата. Вентиляторы можно эксплуатировать только после подсоединения к воздуховодам, механизмам или после установки защитных решеток, предотвращающих контакт (EN ISO 13857). При монтаже вентилятора в системе воздухопроводов, подсоединение производится с обеих сторон (вход/выход). Монтаж должен быть выполнен таким образом, чтобы исключить непосредственный контакт с движущимися частями. Вентиляторы не должны эксплуатироваться во взрывоопасных помещениях или устанавливаться на дымоходы. Вентиляторы не следует устанавливать вне помещений (за исключением TFSR/TFSK EC, K EC). Запрещается отключать, разбирать или выводить из строя защитные средства (например, защитную решетку). Вентиляторы на крыше и КВТ ЕС предназначены исключительно для использования в системах вытяжного воздуха.

Этот прибор может использоваться детьми в возрасте от 8 лет и старше и лицами с ограниченными физическими, сенсорными или умственными способностями, а также неопытными и неподготовленными, если они предварительно прошли инструктаж в отношении безопасного использования прибора и понимают потенциальные опасности. Дети не должны играть с прибором. Дети не должны выполнять очистку и обслуживание без присмотра.

Должны быть приняты меры по предотвращению обратного потока выхлопных газов из дымоходов или других приборов, установленных в одной комнате и работающих на газу или других видах топлива.

Прибор должен быть подключен к главному размыкателю сети в стационарной установке. **ВНИМАНИЕ!** Перед обслуживанием отключите питание многополюсным автоматическим выключателем и убедитесь в остановке рабочего колеса. **ВНИМАНИЕ!** Кромки и углы вентиляторов могут быть острыми, что может вызвать раны и порезы. **ВНИМАНИЕ!** Будьте осторожны при открывании поворотно-откидных люков для обслуживания – вентилятор и электродвигатель, установленные на люке, достаточно тяжелые (относится к KVKE, KVO).

Электродвигатель вентилятора оснащен защитной функцией блокировки ротора. Эта функция предполагает перезапуск электродвигателя в течение заданного интервала, если ротор неподвижен. При снятии блокировки вентилятор запустится самостоятельно. При перегреве электродвигателя произойдет отключение питания.

После этого перезапуск вентилятора возможен только вручную путем отключения сетевого питания на несколько минут.

Транспортировка и хранение

Все вентиляторы упаковываются на заводе таким образом, чтобы обеспечить защиту в условиях нормальной транспортировки. При погрузке и разгрузке изделий используйте подъемное оборудование, чтобы предотвратить повреждение вентиляторов или травмирование персонала. Не поднимайте вентиляторы за соединительный кабель, клеммную коробку, рабочее колесо или входной конус. Не допускайте ударов и ударных нагрузок. Вентиляторы должны храниться в сухом помещении, обеспечивающем защиту от атмосферных воздействий и загрязнений до окончательного монтажа в систему. Диапазон температур хранения составляет от -40 до +80 °C.

Монтаж

Соблюдайте правила техники безопасности. Монтаж, электрическое подключение и ввод в эксплуатацию должны выполняться только опытным персоналом с соблюдением всех требований. Электрическое подключение должно выполняться в соответствии со схемой соединений, изображенной на клеммной коробке, маркировкой на клеммах или на кабеле. Закройте пробками-заглушками все неиспользуемые кабельные вводы. Вентилятор K-EC следует устанавливать с клеммной коробкой в верхней части устройства ± 90 градусов. Если при установке вентилятора были использованы кабели диаметром 12-14 мм, то клеммный ввод необходимо заменить (относится к вентиляторам K-EC). Вентилятор нужно устанавливать в направлении потока воздуха (см. стрелку на корпусе). Вентилятор должен быть установлен таким образом, чтобы вибрация не передавалась на систему воздухопроводов или каркас здания (с этой целью поставляются такие принадлежности, как быстросъемные хомуты). Убедитесь в том, что смонтированный вентилятор хорошо зафиксирован. Вентилятор можно монтировать в любом направлении, если не указано иное. Вентиляторы следует монтировать таким образом, чтобы обеспечить простоту и безопасность обслуживания. Раздражающий шум может быть легко устранен путем использования глушителя (дополнительная принадлежность). Вентиляторы предназначены для непрерывной эксплуатации в указанном температурном диапазоне. При использовании вентиляторов с электрическим перезапуском при отключении питания будьте внимательны, подключая с ними оборудование с функцией автоматического включения и выключения. Ток утечки на землю для электронно-коммутируемых двигателей не превышает 3,5 мА.

Об этом следует помнить, если вентилятор подключается в одну цепь с автоматическим выключателем, срабатывающим при замыкании на землю.

Встроенный потенциометр.

Встроенный потенциометр устанавливается изготовителем (см. **рис. 1-15**). Значение уставки потенциометра регулируется вручную, изменяя частоту вращения вала электродвигателя и производительность вентилятора. На стр. 11-25 (см. **рис. 1-15**) приведены графики производительности вентиляторов в зависимости от напряжения (справа от изображения потенциометра). При необходимости можно подключить внешний потенциометр. В таком случае следует отключить встроенный потенциометр от клемм.

Выходной сигнал тахометра

К клемме 1 (см. схему подключения, белый сигнальный кабель) можно подключить счетчик частоты вращения (один импульс на оборот вала), контроллер, дисплей частоты вращения или устройство аварийной сигнализации. Максимальный выходной сигнал тахометра составляет 10 мА.

Эксплуатация

Перед первым пуском убедитесь в том, что:

- правильно выполнено электрическое подключение;
- защитный провод подключен;
- устройства защиты (защитная решетка) на месте;
- посторонние предметы и мусор убраны из корпуса вентилятора.

Перед началом работы убедитесь, что:

- электрические параметры соответствуют спецификации на паспортной табличке вентилятора (максимальное напряжение +6 %, -10 % в соответствии с IEC 38. При номинальном напряжении допустимо превышение номинального тока на 5 %);
- двигатель работает плавно (без дополнительного шума);
- управление вентиляторами должно осуществляться специалистом с профильным образованием или квалификацией или под руководством такого специалиста.

Установка, техническое обслуживание и ремонт

Перед монтажом, обслуживанием или ремонтом убедитесь в том, что:

- питание отключено многополюсным автоматическим выключателем;
- рабочее колесо вентилятора полностью остановилось;
- соблюдаются требования к безопасности персонала!

Вентилятор следует чистить по необходимости, но не реже одного раза в год, для предотвращения дисбаланса и преждевременного выхода из строя подшипников. Установка фильтра увеличит интервал между очистками вентилятора (в некоторых случаях рекомендуется устанавливать защиту фильтра). Подшипники вентилятора не подлежат обслуживанию; в случае повреждения их следует заменить. Для очистки вентилятора не используйте устройства, работающие под высоким давлением (пароструйные установки). Убедитесь в том, что не смещены балансирующие грузики рабочего колеса вентилятора, и что рабочее колесо не перекошено. Обращайте внимание на появление нехарактерного шума при работе вентилятора.

Порядок действий в случае остановки вентилятора:

- попытайтесь перезапустить вентилятор, отключив питание на несколько минут;
- убедитесь в том, что рабочее колесо не заблокировано. Уберите все возможные препятствия, предварительно отключив питание. Убедитесь в том, что после подачи питания вентилятор запустился. Если после выполнения указанных действий вентилятор не запустился, обратитесь к поставщику.

Утилизация и переработка

Продукты бытового назначения с этим символом на табличке соответствуют требованиям директивы об отходах электрического и электронного



оборудования. При утилизации устройства соблюдайте местные правила и нормы. Материалы упаковки этого продукта пригодны для вторичной переработки и могут быть использованы повторно. Не выбрасывайте вместе с бытовыми отходами.

Инструкции по разборке компонентов с данной маркировкой, например вентиляторов, можно найти на домашней странице производителя.

EU Vyhlásenie o zhode

Výrobca



Systemair Sverige AB
 Industrivägen 3
 SE-73930 Skinnskatteberg, ŠVÉDSKO
 Tel.: +46 222 440 00 Fax: +46 222 440 99
www.systemair.com

týmto potvrdzuje, že nasledujúce produkty vrátane Sileo verzii:

Potrúbné ventilátory s kruhovým pripojením: K 100-315L EC, KVK Slim 100-160 EC, KD 315-400 EC, prio 450-500 EC, KV DUO 150-500 EC

Potrúbné ventilátory s obdĺžnikovým pripojením: RS 30-15-100-50 EC, RSI 60-35-100-50 EC

Izolované potrúbné ventilátory s kruhovým pripojením: KVK Silent 125-160 EC

Strešné ventilátory s kruhovým alebo štvorcovým pripojením: TFSR /TFSK 160-200 EC

Thermo ventilátory: KBT 160-250 EC

(Vyhlásenie sa vzťahuje len na produkt v stave, v akom bol dodaný a namontovaný v priestoroch zákazníka v súlade s dodanými montážnymi pokynmi. Nevzťahuje sa na pridané súčasti ani na následne vykonané úkony na produkte.)

vyhovujú všetkým príslušným požiadavkám v nasledujúcich smerniciach:

<ul style="list-style-type: none"> • Smernica 2006/42/ES o strojových zariadeniach • Smernica 2014/35/EU o nízkonapäťových zariadeniach • Smernica 2014/30/EU o elektromagnetickej kompatibilite • Smernica RoHS 2011/65/EÚ (rezidenčné zariadenia) 	<ul style="list-style-type: none"> • Smernica o ekodizajne č. 2009/125/ES 327/2011 Požiadavky na ventilátory s výkonom vyšším ako 125 W 1253/2014 Požiadavky na vetracie jednotky s výkonom vyšším ako 30 W 1254/2014 Požiadavky na energetické označovanie vetracích jednotiek pre obytné budovy
---	--

Pre príslušné časti platia nasledujúce harmonizované normy:

EN ISO 12100:2010	Bezpečnosť strojov – Všeobecné zásady konštruovania strojov – Posudzovanie a znižovanie rizika.
EN 13857	Bezpečnosť strojov – bezpečné vzdialenosti na zamedzenie dosiahnutia nebezpečných miest hornými alebo dolnými končatinami.
EN 60 335-1	Bezpečnosť elektrických spotrebičov pre domácnosť a na podobné účely – časť 1: všeobecné požiadavky.
EN 60 335-2-80	Bezpečnosť elektrických spotrebičov pre domácnosť a na podobné účely – časť 2-80: konkrétne požiadavky na ventilátory.
EN 62233	Metódy merania elektromagnetických polí domácich spotrebičov a podobných zariadení so zreteľom na expozíciu osôb.
EN 50 106:2007	Bezpečnosť spotrebičov pre domácnosť a na podobné účely – príslušné pravidlá pre bežné testy týkajúce sa spotrebičov podľa noriem EN 60 335-1 a EN 60967.
EN 60529	Stupne ochrany poskytované krytmi (kód IP).
EN 60 204-1	Bezpečnosť strojov – elektrické príslušenstvo strojov – časť 1: všeobecné požiadavky.
EN 60730-1	Automatické elektrické riadiace zariadenia pre domácnosť a na podobné účely – časť 1: všeobecné požiadavky.
EN 61000-6-2	Elektromagnetická kompatibilita (EMK) – časť 6-2: všeobecné normy – odolnosť v priemyselnom prostredí.
EN 61000-6-3	Elektromagnetická kompatibilita (EMK) – časť 6-3: všeobecné normy – emisné normy pre obytné a komerčné priestory a priestory ľahkého priemyslu.

Skinnskattberg, 17-08-2018



Mats Sándor
 technický riaditeľ

Bezpečnostné pokyny

Zariadenie smiete uviesť do prevádzky až po prečítaní montážnych a bezpečnostných pokynov.

Všetky ventilátory sú určené na presun vzduchu vo vzduchotechnických systémoch. Ak je zariadenie namontované v nevykurovaných miestnostiach, skriňa ventilátora musí byť dodatočne zaizolovaná. Ventilátory sú určené na používanie po namontovaní ochranej mriežky zabráňujúcej kontaktu alebo po vstavaní do strojov alebo potrubných vzduchotechnických systémov (EN ISO 13857). Ventilátory s potrubným pripojením musia byť pripojené k VZT potrubiu na oboch stranách (vstup a výstup). Po montáži nesmú byť prístupné žiadne pohyblivé časti. Ventilátory nie sú určené na používanie v nebezpečnom prostredí ani na odvod výbušných vzdušín, resp. ani na odvod spalín. Ventilátory nesmú byť namontované vo vonkajšom prostredí (okrem typov TFSR/TFSK EC, K EC). Bezpečnostné príslušenstvo (napr. bezpečnostná mriežka) sa nesmie demontovať, upravovať alebo úplne demontovať. Strešné ventilátory a KBT EC sú určené výlučne pre aplikácie odvodu vzduchu.

Toto zariadenie môžu používať deti vo veku 8 rokov a staršie a osoby so zníženými fyzickými, zmyslovými alebo mentálnymi schopnosťami či nedostatkom skúseností a poznatkov v súvislosti so zariadením, ak sú pod dozorom alebo im boli poskytnuté pokyny o bezpečnom používaní zariadenia a porozumeli súvisiacim rizikám. Deti sa nesmú hrať so zariadením. Čistenie a používateľskú údržbu nesmú vykonávať deti bez dozoru.

Vykonajte opatrenia na to, aby sa zabránilo spätnému prúdeniu plynov vypúšťaných z dymovodov iných zariadení inštalovaných v tej istej miestnosti, ktoré fungujú na plyn alebo iné palivo.

V pevných inštaláciách musí byť zariadenie napojené na istič elektrického obvodu.

UPOZORNENIE: Pred opravou alebo údržbou odpojte napájanie (stýkač obvodu na oboch póloch) a uistite sa, že obežné koleso ventilátora už nie je v pohybe.

UPOZORNENIE: Ventilátory môžu mať ostré hrany a rohy, ktoré môžu spôsobiť zranenie. **UPOZORNENIE:** Pri otváraní vyklápacích servisných dvierok ventilátora buďte opatrní. Ventilátor a motor pripevnené na dvierkach sú pomerne ťažké (platí pre typ KVKE, KVO). Motor ventilátora má zabudovanú ochranu uzavretého rotora. Táto zaisťuje, že keď sa rotor nehýbe, pokúsi sa ho znovu spustiť vo vopred naprogramovanom intervale. Po odstránení blokovania sa ventilátor spustí sám bez vykonania ďalších opatrení. Pri vysokej teplote vinutia motora sa odpojí prívod prúdu do motora. V takom prípade možno ventilátor znovu spustiť tak, že na niekoľko minút manuálne prerušíte napájanie ventilátora (napr. vypínačom alebo stýkačom napätového obvodu).

Preprava a skladovanie

Všetky ventilátory sú balené vo výrobe tak, aby odolali bežnej manipulácii pri preprave. Pri manipulácii týmito výrobkami použite vhodné nástroje určené na zdvíhanie predmetov, aby ste predišli poškodeniu ventilátorov

a zraneniu personálu. Ventilátory nezdvíhajte za el. pripojovací kábel, svorkovnicu, obežné koleso alebo saciu časť skrine. Predchádzajte nárazom a nárazovému zaťaženiu. Až do času finálnej montáže skladujte ventilátory na suchom mieste, ktoré je chránené pred vplyvmi počasia a nečistotami. Povolená skladovacia teplota je -40 až $+80$ °C.

Montáž

Prečítajte si bezpečnostné pokyny uvedené vyššie. Montáž, elektrické pripojenie a uvedenie do prevádzky môže vykonať iba oprávnená osoba, a to v súlade s príslušnými podmienkami a požiadavkami. Elektrické pripojenie vykonajte podľa schémy zapojenia v pripojovacej svorkovnici, a podľa označenia na svorkách alebo el. kábloch. Všetky prázdne káblové priechodky uzavrite pomocou zátky. Ventilátor K-EC musíte montovať s rozvodnou skriňou navrchu jednotky v uhle ± 90 stupňov. Ak chcete zariadenie namontovať natrvalo pomocou káblov s priemerom 12 až 14 mm, je potrebné vykonať výmenu priechodky (platí pre typ K-EC). Montáž ventilátora vykonajte v smere prúdenia vzduchu (podľa ozn. šípky na skrini ventilátora). Montáž ventilátora vykonajte tak, aby sa vibrácie neprenášali do potrubného systému ani na konštrukciu budovy (použite vhodné príslušenstvo, napr. rýchloupínacie spony a pod.) Uistite sa, že ventilátor je pevne pripevnený a stabilný. Ak nie je uvedené inak, ventilátor môžete namontovať v ktoromkoľvek smere a polohe. Ventilátor inštalujte tak, aby sa servis a údržba dali vykonávať ľahko a bezpečne. Rušivej zvýšenej hlučnosti sa môžete vyhnúť namontovaním tlmiča hluku (dostupné príslušenstvo).

Ventilátory sú navrhnuté na nepretržitú prevádzku v uvedenom rozsahu teplôt.

Pri ventilátoroch, ktoré sa resetujú po výpadku prúdu / napätia, musíte túto skutočnosť vziať do úvahy pri pripájaní ďalších zariadení s funkciou automatického zapnutia a vypnutia.

Izjava o skladnosti

Motory EC majú zvodový uzemňovací prúd zodpovedajúci hodnote $\leq 3,5$ mA. Musíte to brať do úvahy vždy, keď je ventilátor pripojený spolu s prepäťovou ochranou.

Integračný potenciometer

Integračný potenciometer je vopred nastavený z výroby (**Obr. 1-15**). Manuálnym nastavením sa dosiahnu rozdielne otáčky motora / VZT výkon ventilátora. Za týmto účelom sú v tabuľke na str. 11-25 (**Obr. 1-15**) znázornené výkonové grafy vrátane napätových stupňov, napravo od symbolov potenciometra. V prípade potreby môžete pripojiť externý potenciometer, vtedy však musí byť interný potenciometer odpojený od pripojovacích svoriek.

Výstup otáčkomeru

Svorka č. 1 v schémach zapojenia (biely signálny kábel) umožňuje pripojenie otáčkomeru (jeden impulz /

otáčka), regulátora, alarmu alebo displeja otáčok. Otáčkomer vyšle signál s prúdom maximálne 10 mA.

Prevádzka

Pred prvým spustením do prevádzky skontrolujte nasledujúce skutočnosti:

- elektrické pripojenie je správne vykonané,
- ochranný vodič je pripojený,
- bezpečnostné zariadenia sú na svojom mieste (ochranná mriežka),
- zvyšný montážny materiál a cudzie predmety sú odstránené zo skrine ventilátora a tiež z VZT potrubia. Pri spúšťaní do prevádzky skontrolujte nasledujúce skutočnosti:
- údaje o pripojení zodpovedajú parametrom na továrenskom štítku: maximálne napätie +6 %, –10 %, podľa normy IEC 38; menovitý prúd sa pri menovitom napätí nesmie prekročiť o viac ako 5 %,
- chod motora je pokojný (žiadne neobvyklé zvuky),
- ventilátory môže obsluhovať len osoba, ktorá má dokázateľné vedomosti alebo vzdelanie v tejto oblasti, alebo sa obsluha musí vykonávať pod dohľadom takejto osoby.

Údržba, servis a opravy

Pred údržbou, servisom a opravami sa uistite, že:

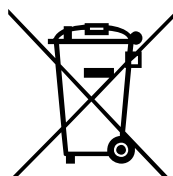
- je prerušené napájacie napätie (stýkač - prerušovač obvodu na oboch póloch),
- obežné koleso ventilátora nie je v pohybe,
- sú dodržané predpisy o bezpečnosti personálu. Ventilátor čistíte podľa potreby minimálne raz za rok, aby ste predišli nerovnováhe na obežnom kolese a zbytočnému poškodeniu ložísk. Časový interval medzi čisteniami možno predĺžiť používaním filtra (prípadne s diferenčným snímačom tlaku pre kontrolu zanesenia

filtra). Ložiská ventilátora nevyžadujú údržbu a mali by sa meniť len v prípade poškodenia. Pri čistení ventilátora nepoužívajte vysokotlakový čistič (parnú dýzu). Uistite sa, že vyvažovacie telieska na obežnom kolese nie sú posunuté a tiež, že obežné koleso nie je zdeformované. Venujte pozornosť neobvyklým prevádzkovým zvukom.

Nasledujúce informácie platia v prípade, že sa ventilátor nepredvídane zastavil:

- ventilátor vyskúšajte znovu spustiť po odpojení prúdu na niekoľko minút,
- uistite sa, že nie je zablokované lopatkové koleso ventilátora. Po odpojení prúdu odstráňte možnú prekážku. Skontrolujte, či sa ventilátor spustí po opätovnom pripojení prúdu. Ak sa ventilátor nespustí, kontaktuje predajcu.

Likvidácia a recyklácia



Bytové výrobky s týmto symbolom na štítku sú v súlade so smernicou o OEEZ. Pri likvidácii jednotky postupujte podľa miestnych pravidiel a predpisov.

Tieto baliace materiály sú recyklovateľné a môžu sa znovu použiť. Neodhadzujte ich do domáceho odpadu.

V prípade označených komponentov, ako sú napríklad ventilátory, sa pokyny na rozloženie nachádzajú na domovskej stránke výrobcu súčasti.

Izjava EU o skladnosti

Proizvajalec



Systemair Sverige AB
 Industrivägen 3
 SE-73930 Skinnskatteberg, ŠVEDSKA
 Pisarna: +46 222 440 00 Faks: +46 222 440 99
www.systemair.com

izjavlja, da so našeti proizvodi vključno Sileo različice:

Kanalski ventilatorji s krožnim priključkom: K 100-315L EC, KVK Slim 100-160 EC, KD 315-400 EC, prio 450-500 EC, KV DUO 150-500 EC

Kanalski ventilatorji s pravokotnim priključkom: RS 70-40-100-50 EC, RSI 70-40-100-50 EC

Ventilatorji za izolirane kanale s krožnim priključkom: KVK Silent 125-160 EC

Strešni ventilatorji z okroglim ali pravokotnim priključkom: TFSR/TFSK 160-200 EC

Termo ventilatorji: KBT EC 160-250

(Izjava velja samo za proizvode v stanju ob dobavi in vgrajene na objektu po priloženih navodilih za vgradnjo. Jamstvo ne krije kasneje dodanih sestavnih delov ali posegov v proizvod.)

skladni z vsemi zadevnimi zahtevami naslednjih direktiv

<ul style="list-style-type: none"> • Direktiva o strojih 2006/42/ES • Direktiva o nizki napetosti 2014/35/EU • Direktiva o elektromagnetni združljivosti 2014/30/EU • Direktiva RoHS 2011/65/EU (stanovanjska oprema) 	<ul style="list-style-type: none"> • Direktiva o energetske učinkovitosti 2009/125/ES <p>327/2011 Zahteve za ventilatorje nad 125 W 1253/2014 Zahteve za prezračevalne naprave nad 30 W 1254/2014 Zahteve za energetske označevanje prezračevalnih naprav za stanovanjska poslopja</p>
---	---

Upoštevani so ustrezni deli naslednjih harmoniziranih standardov:

EN ISO 12100:2010	Varnost strojev – Splošna načela načrtovanja – Ocena tveganja in zmanjšanje tveganja.
EN 13857	Varnost strojev – Varnostne razdalje, ki preprečujejo doseg nevarnih območij z zgornjimi ali spodnjimi udi.
EN 60 335-1	Gospodinjski in podobni električni aparati – Varnost – 1. del: Splošne zahteve.
EN 60 335-2-80	Gospodinjski in podobni električni aparati – Varnost – Del 2-80: Posebne zahteve za ventilatore.
EN 62233	Metode merjenja elektromagnetnih sevanj gospodinjskih in podobnih električnih aparatov z vidika izpostavljenosti ljudi.
EN 50 106:2007	Varnost gospodinjskih in podobnih električnih aparatov – Posebna pravila za rutinsko preskušanje, ki se nanaša na aparate v okviru standardov EN 60 335-1 in EN 60967.
EN 60529	Stopnja zaščite, ki jo zagotavlja ohišje (koda IP).
EN 60 204-1	Varnost strojev – Električna oprema strojev – 1. del: Splošne zahteve.
EN 60730-1	Samodejni električni krmilniki za rabo v stanovanjih in podobno rabo – 1. del: Splošne zahteve.
EN 61000-6-2	Elektromagnetna združljivost (EMC) – Del 6-2: Osnovni standardi – Odpornost za industrijska okolja.
EN 61 000-6-3	Elektromagnetna združljivost (EMC) – Del 6-3: Osnovni standardi – Standard oddajanja motenj v stanovanjskih, poslovnih in manj zahtevnih industrijskih okoljih.

Skinnskattberg, 17-08-2018



Mats Sándor
 Tehnični direktor

Navodila za varno delovanje

Pred uporabo te strojne opreme morate prebrati navodila za vgradnjo in navodila za varno delovanje.

Vsi ventilatorji so namenjeni za transport zraka v prezračevalnih sistemih. Pri vgradnji v neogrevanem prostoru je treba ohišje ventilatorja izolirati, da preprečite kondenzacijo. Lahko se uporabljajo šele potem, ko so vgrajeni v stroje, prezračevalne naprave in instalacije, ki imajo zaščitno mrežo. (EN ISO 13857) Ventilatorji s cevnimi priključki morajo biti priključeni na cevi na obeh straneh (na dovodu in odvodu). Po vgradnji ne sme biti dostopen noben premikajoč se del opreme. Ventilatorjev ne smemo uporabljati v nevarnem okolju ali jih priklopiti v dimniško cev. Ventilatorjev (razen TFSR/TFSK EC, K EC) ni dovoljeno vgrajevati na prostem. Varnostnih elementov (npr. zaščitne mreže) ni dovoljeno demontirati, obiti v sistemu oziroma vzeti iz obratovanja. Strešni ventilatorji in KBT EC so namenjeni izključno za odvajanje zraka.

Napravo smejo uporabljati tudi otroci, stari vsaj osem let, in osebe z zmanjšanimi telesnimi, čutilnimi ali duševnimi sposobnostmi ali s pomanjkljivimi izkušnjami in znanjem, če so poučeni o njeni varni uporabi oziroma kadar se jih pri tem nadzoruje in če razumejo morebitne nevarnosti. Otroci se ne smejo igrati z napravo.

Čiščenja ali uporabniškega vzdrževanja naprave ne smejo opravljati otroci brez nadzora. Z ustreznimi varnostnimi ukrepi je treba preprečiti povratni tok izpušnih plinov iz dimovodov ali iz drugih v istem prostoru vgrajenih naprav, kurjenih na plinasta ali druga goriva.

Naprava mora biti s fiksnim omrežnim priključkom vezana na omrežno varovalko.

POZOR! Pred servisiranjem oz. vzdrževanjem izklopite napravo, da prekinete električni tok, in preverite, ali se je pogonsko kolo popolnoma ustavilo. **POZOR!** Ventilatorji imajo lahko ostre robove, ki lahko povzročijo poškodbe. **POZOR!** Pri odpiranju servisnih vrat ventilatorjev (na tečajih) bodite previdni, ker sta na vrata pritrjena ventilator in motor sorazmerno težka (velja za KVKE, KVO).

Ventilator ima vgrajeno zaščito motorja ob zagozditvi rotorja, kar pomeni, da se motor po ustavitvi rotorja po programsko nastavljenem času skuša ponovno zagnati. Po odstranitvi ovire se ventilator zažene sam brez zunanje posega. Če se motor pregreje, se prekine njegovo električno napajanje. Po tem je mogoče motor zagnati le ročno po nekajminutni prekinitvi električnega napajanja motorja.

Prevoz in skladiščenje

Ventilatorji so tovarniško zapakirani za normalno rokovanje med prevozom. Da bi se izognili poškodbam ventilatorja ali osebja, uporabite ustrezno dvižno napravo. Ventilatorja ne dvigujte s priključnim kablom, priključno dozo, pogonskim kolesom ali dovodnim delom. Varujte ga pred udarci in sunki. Ventilatorje do končne vgradnje shranjujte v suhem in čistem prostoru. Skladiščite jih pri temperaturi v območju od -40 do +80 °C.

Vgradnja

Upoštevajte zgornja navodila za varno delovanje. Montažo, zagon in električno instalacijo lahko izvaja le strokovno usposobljena oseba v skladu s predpisi. Električni priključek je treba izvesti po priključni shemi v priključni dozi oziroma po oznakah na priključnih sponkah ali kablu. Kabelske uvodnice zatesnite s slepimi čepi. Ventilator K-EC vgradite tako, da je priključna doza na vrhu naprave oziroma v območju ±90 stopinj od vrha. Če ventilator trajno vgrajujete s kabli premera 12–14 mm, je treba zamenjati vstopno pušo (velja za tip K-EC). Ventilator namestite v skladu s smerjo zračnega toka (glejte puščico na napravi). Ventilator mora biti vgrajen tako, da se treslaji ne prenašajo na cevni sistem ali stene prostora. (Na voljo je primerna dodatna oprema, kot so objemke in difuzorji.) Prepričajte se, da je ventilator trdno pritrjen in stabilen. Ventilator lahko namestite v katerikoli smeri, razen če so navodila drugačna. Ventilatorji morajo biti nameščeni tako, da se vzdrževanje in servisiranje opravljata nemoteno in varno. Težave s hrupom lahko odpravite z uporabo dušilnika zvoka (na voljo kot dodatna oprema).

Ventilatorji so namenjeni za trajno delovanje pri temperaturah v okviru navedenega območja. Pri ventilatorju, pri katerem zaščito ponastavljate s prekinitvijo električnega napajanja, to upoštevajte tudi pri priključevanju druge opreme s samodejnim vklopom/izklopom.

Motorji EC imajo uhajavi tok na ozemljitev ≤ 3,5 mA. To upoštevajte pri priključitvi ventilatorja v sistem z ozemljitveno zaščito.

Notranji potenciometer

Notranji potenciometer je nastavljen tovarniško (**SI. 1-15**). Če želite spremeniti vrtljaje motorja/delovanje ventilatorja, lahko nastavitev spremenite ročno. V ta namen najdete v preglednici na strani 11-25 (**SI. 1-15**), desno ob simbolu potenciometra, karakteristiko ventilatorja in ustrezne korake napetosti. Po potrebi lahko priključite tudi zunanji potenciometer. V tem primeru je treba notranji potenciometer odklopiti z njegovih priključnih sponk.

Izhod za merjenje vrtljajev

Priključna sponka št. 1 (beli signalni vodnik) na priključni shemi omogoča priključitev na števec vrtljajev (en pulz na vrtljaj), krmilnik, alarm ali prikaz vrtljajev. Priključek je primeren za tokovno obremenitev do 10 mA.

Obratovanje

Pred prvim zagonom naprave preverite naslednje:

- Vgradnja in električna instalacija sta izvedeni pravilno.
- Zaščitni vodnik je priključen.
- Varnostne naprave so vgrajene (zaščita pred dotikom).
- Odpadni montažni material in tujki so odstranjeni iz ohišja.

Pred obratovanjem preverite naslednje:

- Priključni podatki morajo ustrezati opisu na tipski tablici. Maksimalna napetost +6 %, –10 % v skladu z IEC 38. Nazivni tok ne sme presežati 5 % pri nazivni napetosti.
- Gladek tek motorja (brez neobičajnih zvokov).
- Ventilator sme upravljati samo oseba, ki ima ustrezno izobrazbo ali usposobljenost na tem področju, ali pa mora upravljanje potekati pod nadzorom take osebe.

Vzdrževanje, servisiranje in popravila

Pred vzdrževanjem, servisiranjem ali popravili na napravi preverite naslednje:

- Električno napajanje mora biti izključeno (prekinitev vseh faz).
 - Pogonsko kolo ventilatorja mora mirovati.
- Upoštevani morajo biti predpisi za varnost pri delu. Ventilator po potrebi čistite vsaj enkrat na leto, da se izognete neuravnoteženosti in nepotrebnim poškodbam ležajev. Namestitev filtra bo podaljšala časovni interval med vsakim čiščenjem ventilatorja. (Včasih je priporočljiva namestitev zaščite filtra.) Ležaji ne zahtevajo vzdrževanja in jih je treba menjati le ob poškodbah. Za čiščenje ventilatorja nikoli ne uporabljajte visokotlačnih čistilnih naprav (na parni curek). Ne premikajte uteži za uravnovešanje pogonskega kolesa ventilatorja in ne upogibajte lopatic ventilatorja. Bodite pozorni na neobičajen hrup pri vrtenju.

Če se ventilator ustavi, upoštevajte naslednja navodila:

- Poskusite ventilator ponovno zagnati; v ta namen za nekaj minut prekinite električno napajanje.
- Preverite, ali je pogonsko kolo mogoče blokirano. Pred odstranjevanjem ovire prekinite električno napajanje. Preverite, ali se ventilator po ponovnem priklopu električnega napajanja zažene. Če se ventilator tudi potem ne zažene, se obrnite na prodajalca.



Odstranjevanje v odpadke in recikliranje

Izdelki za stanovanjsko opremo s tem simbolom na tipski ploščici so skladni z Direktivo OEEQ. Pri odstranjevanju enote v odpadke sledite lokalnim pravilom in predpisom.

Embalažo tega izdelka je mogoče reciklirati in znova uporabiti. Ne odlagajte med gospodinjske odpadke.

Za označene komponente, kot so ventilatorji, lahko na spletni strani proizvajalca komponente najdete navodila za razstavljanje.

Déclaration UE de conformité

Le fabricant :



Systemair Sverige AB
 Industrivägen 3
 SE-73930 Skinnskatteberg Suède
 Téléphone: +46 222 440 00 Fax: +46 222 440 99
 www.systemair.com

certifié par les présentes que les produits suivants y compris les versions Sileo:

Ventilateur de gaine à raccord circulaire : K 100-315L EC, KVK Slim 100-160 EC, KD 315-400 EC, prio 450-500 EC, KV DUO 150-500 EC

Ventilateur de gaine à raccord rectangulaire: RS 70-40-100-50 EC, RSI 70-40-100-50 EC

Ventilateur de gaine isolé à raccord circulaire : KVK Silent 125-160 EC

Ventilateur de toiture à raccord circulaire ou carré : TFSR /TFSK 160-200 EC

Thermoventilateurs: KBT 160-250 EC

(La déclaration s'applique exclusivement au produit dans l'état où il a été livré et installé sur site conformément aux instructions jointes. L'assurance ne couvre pas les composants ajoutés ou les interventions effectuées ultérieurement sur le produit.)

Est conforme à l'ensemble des exigences des directives suivantes

<ul style="list-style-type: none"> • Directive machines 2006/42/EC • Directive basse tension 2014/35/UE • Directive CEM 2014/30/UE • Directive RoHS 2011/65/UE (appareils à usage résidentiel) 	<ul style="list-style-type: none"> • Directive concernant l'Écoconception 2009/125/EC 327/2011 Exigences concernant les ventilateurs de plus de 125 W 1253/2014 Exigences concernant les systèmes de ventilation de plus de 30 W 1254/2014 Exigences pour l'étiquetage énergétique des appareils de ventilation résidentiels
--	--

Les normes harmonisées suivantes sont d'application pour les parties concernées:

EN ISO 12100:2010	Sécurité des machines - Principes généraux de conception - Appréciation du risque et réduction du risque.
EN 13857	Sécurité des machines – distances de sécurité pour les membres supérieurs ou inférieurs.
EN 60 335-1	Appareils électrodomestiques et analogues – Sécurité. Partie 1: Règles générales.
EN 60 335-2-80	Appareils électrodomestiques et analogues – Sécurité. Partie 2-80: Règles particulières pour les ventilateurs.
EN 62233	Méthodes de mesure des champs électromagnétiques des appareils électrodomestiques et analogues concernant l'exposition humaine.
EN 50 106:2007	Sécurité des appareils électrodomestiques et analogues – Règles particulières pour les essais de série concernant les appareils dans le domaine d'application des normes EN 60 335-1 et EN 60967.
EN 60529	Niveaux de protection du boîtier (code IP).
EN 60 204-1	Sécurité des machines; équipement électrique des machines – Partie 1 : Règles générales.
EN 60730-1	Dispositifs de commande électrique automatiques à usage domestique et analogue – Partie 1: Règles générales.
EN 61000-6-2	Compatibilité électromagnétique (CEM) – Partie 6-2: Normes génériques – Immunité des appareils en environnements industriels.
EN 61000-6-3	Compatibilité électromagnétique (CEM) – Partie 6-3: Normes génériques – Émissions standards pour les environnements résidentiels, commerciaux et l'industrie légère.

Skinnskattberg 17-08-2018



Mats Sándor
 Directeur technique

Sécurité

Lire impérativement les instructions de montage et les consignes de sécurité avant la mise en service de cet équipement.

Les ventilateurs sont destinés au transport de l'air dans les systèmes de ventilation. En cas d'installation dans une pièce non chauffée, il est nécessaire d'isoler la carcasse afin d'éviter tout risque de condensation. Pour intégration à des machines ou réseaux de gaines, ou utilisation autonome dans la mesure où une grille de protection a été installée. (EN ISO 13857). Les ventilateurs avec raccordements pour gaine doivent être connectés des deux côtés (entrée et sortie). Aucun élément mobile ne doit être accessible une fois l'installation terminée. Les ventilateurs ne doivent pas être utilisés dans un environnement dangereux, ni être raccordés à des cheminées. Les ventilateurs ne doivent pas être installés à l'extérieur (sauf TFSR/TFSK EC, K EC). Les accessoires de sécurité (grille de protection) ne doivent pas être démontés, court-circuités ou déconnectés. Les ventilateurs de toiture et KBT EC sont exclusivement destinés aux applications d'extraction d'air.

Cet appareil peut être utilisé par des enfants à partir de huit ans, et par des personnes avec des capacités physiques, sensorielles ou mentales réduites, ou ne disposant pas de l'expérience ou des compétences requises, si on leur a communiqué des instructions ou s'ils bénéficient d'une supervision, afin d'utiliser l'appareil sans risque et de comprendre les risques liés à son utilisation. Les enfants ne doivent pas jouer avec l'appareil. Les enfants ne doivent pas procéder au nettoyage ou à la maintenance de cet appareil sans surveillance.

Prendre des précautions pour éviter le reflux de gaz d'échappement à partir des conduits provenant des autres applications installées dans la même pièce et qui sont alimentées par gaz ou autres combustibles.

L'application doit être raccordée à un disjoncteur de secteur dans l'installation fixe.

Avant toute intervention sur les ventilateurs, couper l'alimentation électrique principale et attendre l'arrêt complet des pièces en mouvement. ATTENTION - Certaines parties des appareils comportent des coins acérés et des parties coupantes pouvant occasionner des blessures. ATTENTION - Ouvrir avec précautions les trappes de visite des ventilateurs, l'ensemble moteur et ventilateur qui y est fixé étant relativement lourd (KVKE, KVO).

Le moteur du ventilateur est doté d'un dispositif de protection qui fait qu'il tente un redémarrage au terme d'un intervalle préprogrammé lorsqu'il détecte

l'immobilisation du rotor. Une fois l'obstruction supprimée, le ventilateur repart de lui-même. En cas de surchauffe du moteur, son alimentation électrique se coupe. Son redémarrage n'est alors possible qu'après coupure de l'alimentation secteur pendant quelques minutes.

Transport et stockage

Les ventilateurs sont emballés en usine pour supporter des conditions de stockage, de manutention et de transport normales. Utiliser des appareils de manutention adaptés afin de ne pas mettre en danger le personnel ou endommager les produits. Ne pas soulever les ventilateurs par leur câble d'alimentation électrique, boîtier de connexion, hélice ou cône d'entrée. Éviter tout choc. Avant installation, stocker les ventilateurs à l'intérieur, à l'abri de l'humidité et de la poussière. Plage de températures de stockage : -40 à +80° C

Configuration

Voir les consignes de sécurité ci-dessus. L'installation, le branchement électrique et la mise en service doivent être effectués selon les règles de l'art par un professionnel qualifié. Le raccordement électrique doit être effectué conformément au schéma de la boîte de connexion ainsi que les indications des câbles ou borniers. Bouchez les éventuels presse-étoupe vides à l'aide de fiches isolantes. Le ventilateur K-EC doit être installé avec son boîtier de raccordement orienté vers l haut (± 90 degrés). Si l'installation est effectuée avec des câbles de 12 à 14 mm de section, la bague d'entrée doit être remplacée (type K-EC). Respectez le sens du flux d'air (indiqué par une flèche sur l'appareil). Le ventilateur doit être installé de façon à éviter la transmission de vibrations dans le réseau de gaines ou la structure du bâtiment (par ex. en installant des manchettes ou des plots antivibratiles). Vérifier que le ventilateur est stable et bien fixé. Le ventilateur peut être installé en toutes position, sauf restriction particulière. Le ventilateur doit être installé de manière à faciliter toute intervention ultérieure de maintenance. Des silencieux spéciaux proposés en option permettent d'éviter les bruits gênants. Les ventilateurs sont conçus pour une utilisation permanente dans la limite des températures de fonctionnement recommandées.

Tenir compte des caractéristiques des ventilateurs à réarmement manuel lors du raccordement d'équipements à fonction marche-arrêt automatique.

Les moteurs EC présentent un courant de fuite $\leq 3,5$ mA. En tenir compte en cas de raccordement à un dispositif de protection contre les défauts à la terre.

Potentiomètre intégré

Le potentiomètre intégré (**Fig. 1-15**) est pré-réglé en usine. Cette valeur peut être ajustée manuellement pour modifier le régime moteur/rendement ventilateur. Des tableaux de rendement ventilateur avec tensions figurent aux pages 11-25 (**Fig. 1-15**), à droite des symboles de potentiomètres. Le branchement d'un potentiomètre externe est possible si nécessaire. Dans ce cas, déconnecter impérativement le potentiomètre intégré du circuit.

Sortie compte-tours

La borne n° 1 (câble signal blanc - voir schémas de câblage) permet le branchement d'un compte-tours (une impulsion par tour), d'un régulateur, d'une alarme ou d'un afficheur de vitesse. Cette sortie fournit un signal de 10 mA au maximum.

Fonctionnement

Avant la première mise en route, vérifier les points suivants :

- Le raccordement électrique doit être effectué selon les règles de l'art.
- Les conducteurs électriques doivent être bien isolés.
- Les protections mécaniques doivent être en place (grille de protection).
- Les résidus des matériels d'installation et objets étrangers doivent être enlevés.

Lors de la mise en route, vérifier les points suivants :

- Les caractéristiques électriques doivent correspondre à celles figurant sur la plaque signalétique : écart de tension entre +6% et -10% suivant la norme IEC38. Courant nominal ne dépassant pas de 5% la valeur nominale à la tension nominale.
- Vérifier que le moteur fonctionne avec régularité (sans de bruits anormaux).
- L'utilisation et la manipulation des ventilateurs seront exclusivement effectuées par du personnel compétent ou sous sa surveillance.

Maintenance, entretien et réparation

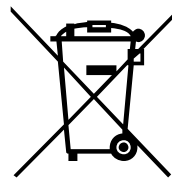
Avant toute intervention de réparation ou de maintenance, vérifier les points suivants :

- Mettre l'équipement hors tension (coupure multipolaire).
- Attendre l'arrêt complet de l'hélice.
- Respecter les consignes de sécurité.

Le ventilateur doit être nettoyé aussi souvent que nécessaire et au minimum une fois par an afin d'éviter un déséquilibre et l'usure des roulements. Un filtre pourra permettre de rallonger la fréquence d'entretien du ventilateur. (dans ce cas on peut également doter le filtre d'une protection). Les roulements ne nécessitent ni entretien ni graissage et ne doivent être remplacés que s'ils sont endommagés. Ne pas utiliser de système à haute pression ou à vapeur pour le nettoyage du ventilateur. Vérifier que les plots d'équilibrage sont en place et que les pales d'hélice ne sont pas tordues. Vérifier qu'aucun bruit anormal n'est détecté.

Marche à suivre en cas d'arrêt du ventilateur :

- essayer de le redémarrer en coupant pendant quelques minutes l'alimentation secteur ;
- s'assurer que l'hélice n'est pas bloquée ; éliminer toute obstruction éventuelle après coupure de l'alimentation électrique. s'assurer que le ventilateur redémarre après rétablissement de l'alimentation ; si le ventilateur ne repart pas, contactez votre distributeur.



Mise au rebut et recyclage

Les produits à usage résidentiel avec ce symbole sur la plaque signalétique sont conformes à la directive DEEE. L'appareil doit être mis au rebut selon les lois et réglementations locales. Les matériaux d'emballage de ce produit sont recyclables et peuvent être réutilisés. Ne pas jeter avec les ordures ménagères.

Pour les composants étiquetés comme les ventilateurs, les instructions de démontage se trouvent sur la page d'accueil du fabricant du composant.

Declaração de conformidade UE

Fabricante



Systemair Sverige AB
 Industrivägen 3
 SE-73930 Skinnskatteberg SUÉCIA
 Escritório: +46 222 440 00 Fax: +46 222 440 99
 www.systemair.com

pele presente confirma que os produtos que se seguem incluindo as versões Sileo:

Ventiladores de conduta com ligação circular: K 100-315L EC, KVK Slim 100-160 EC, KD 315-400 EC, prio 450-500 EC, KV DUO 150-500 EC

Ventiladores de conduta com ligação retangular: RS 30-15-100-50 EC, RSI 60-35-100-50 EC

Ventiladores de conduta isolados com ligação circular: KVK Silent 125-160 EC

Ventiladores de teto com ligação circular ou quadrada: TFSR /TFSK 160-200 EC

Ventiladores térmicos: KBT 160-250 EC

(A declaração aplica-se ao produto somente nas condições em que foi fornecido e instalado no local, de acordo com as instruções de instalação incluídas. O seguro não cobre componentes que forem adicionados nem intervenções realizadas posteriormente no produto)

Está em conformidade com todos os requisitos aplicáveis nas diretivas abaixo indicadas

<ul style="list-style-type: none"> • Diretiva 2006/42/CE relativa às máquinas • Diretiva 2014/35/UE relativa à baixa tensão • Diretiva 2014/30/UE relativa à compatibilidade eletromagnética • Diretiva RoHS 2011/65/UE (unidades residenciais) 	<ul style="list-style-type: none"> • Diretiva sobre Conceção Ecológica 2009/125/CE <p>327/2011 Requisitos para ventiladores acima de 125 W 1253/2014 Requisitos para unidades de ventilação acima de 30 W 1254/2014 Requisitos para rotulagem energética de unidades de ventilação residenciais</p>
---	---

As normas harmonizadas seguintes são aplicadas em peças aplicáveis:

EN ISO 12100:2010	Segurança de máquinas – Princípios gerais de projeto – Avaliação e redução de riscos.
EN 13857	Segurança de máquinas – Distâncias de segurança para impedir que os membros superiores e inferiores alcancem zonas perigosas.
EN 60 335-1	Aparelhos eletrodomésticos e análogos – Segurança – Parte 1: Requisitos gerais
EN 60 335-2-80	Aparelhos eletrodomésticos e análogos – Segurança – Parte 2-80: Regras particulares para ventiladores.
EN 62233	Métodos de medição dos campos eletromagnéticos dos aparelhos eletrodomésticos e similares em relação à exposição humana.
EN 50 106:2007	Segurança de aparelhos eletrodomésticos e análogos – Regras particulares para ensaios de rotina aplicáveis aos aparelhos no âmbito de aplicação da EN 60 335-1 e EN 60967.
EN 60529	Graus de proteção assegurados pelos invólucros (Código IP).
EN 60 204-1	Segurança de máquinas – Equipamento elétrico de máquinas – Parte 1: Requisitos gerais
EN 60730-1	Dispositivos automáticos de comando elétrico para uso doméstico e análogo – Parte 1: Regras gerais.
EN 61000-6-2	Compatibilidade eletromagnética (CEM) – Parte 6-2: Normas genéricas – Imunidade para os ambientes industriais.
EN 61000-6-3	Compatibilidade eletromagnética (CEM) – Parte 6-3: Normas genéricas – Norma de emissão para os ambientes residenciais, comerciais e de indústria ligeira.

Skinnskattberg 17-08-2018



Mats Sándor
 Diretor técnico

Informação de segurança

Estas máquinas não podem ser colocadas em funcionamento sem antes ser feita a leitura das instruções de montagem e das informações de segurança.

Todos os ventiladores têm como função o transporte de ar em sistemas de tratamento de ar. Se a instalação for feita em divisões não aquecidas, o compartimento do ventilador tem de ser isolado para evitar condensação. São concebidos para serem usados uma vez incorporados em máquinas ou canalizados para serem usados em máquinas ou sistemas de conduta após a grelha de proteção de contacto ter sido instalada. (EN ISO 13857). Os ventiladores com ligações de condutas têm de ser ligados a condutas em ambos os lados (entrada/saída). Depois da instalação as peças móveis não podem estar acessíveis. Os ventiladores não podem ser utilizados em ambientes perigosos ou ligados a condutas de exaustão. Os ventiladores não podem ser instalados ao ar livre (exceto TFSR/TFSK EC, K EC). Os acessórios de segurança (ou seja, grade de segurança) não podem ser desmontados, cortados ou desconectados. Os ventiladores de teto et KBT EC destinam-se exclusivamente a aplicações de extração de ar.

Este aparelho pode ser utilizado por crianças com idade igual ou superior a 8 anos e por pessoas com capacidades físicas, sensoriais ou mentais reduzidas ou com falta de experiência e conhecimento, desde que sejam supervisionadas ou recebam instruções sobre como utilizar o aparelho em segurança e desde que compreendam os riscos envolvidos. As crianças não podem brincar com o aparelho. A limpeza e a manutenção de utilizador não podem ser feitas por crianças sem supervisão.

É necessário tomar precauções para impedir o refluxo dos gases de escape originários de tubos de outros aparelhos instalados na mesma divisão, com ignição por gás ou outros combustíveis. O aparelho tem de ser ligado a um disjuntor principal na instalação fixa.

ATENÇÃO: Antes dos trabalhos de assistência ou manutenção, desligue a alimentação (disjuntor omnipolar) e confirme que o rotor parou completamente. **ATENÇÃO:** Os ventiladores podem ter arestas e cantos afiados que colocam em risco a integridade física. **ATENÇÃO:** Tenha cuidado ao abrir as escotilhas (giratórias) para dar assistência aos ventiladores; o ventilador e o motor montados na escotilha são relativamente pesados (aplica-se a KVKE, KVO).

O motor do ventilador possui proteção incorporada de rotor bloqueado, o que implica que o motor tenta reiniciar com um intervalo pré-programado sempre que deteta que o rotor está parado. Quando o bloqueio é removido, o ventilador reiniciará por si próprio sem quaisquer medidas adicionais. A corrente será cortada do motor quando este atingir altas temperaturas. Só pode ser então reiniciado manualmente desligando a alimentação conectada ao ventilador durante alguns minutos.

Transporte e armazenagem

Todos os ventiladores vêm embalados de fábrica preparados para suportarem o manuseamento habitual do transporte. Quando manusear a mercadoria utilize equipamento de elevação adequado para não danificar os ventiladores e colocar em risco a integridade física. Não levante os ventiladores pelo cabo de ligação, caixa de ligação, rotor ou cone de entrada. Evite pancadas e cargas de choque. Guarde os ventiladores num local seco, protegidos das intempéries e sujidade, até à instalação final. Temperaturas de armazenamento admissíveis -40...+80°C.

Instalação

Consulte as informações de segurança acima indicadas. A instalação, a ligação elétrica e a primeira colocação em funcionamento só podem ser realizadas por pessoal autorizado e de acordo com os requisitos e exigências. As ligações elétricas estão de acordo com o diagrama de cablagem na caixa de terminais, marcações nos blocos de terminais ou no cabo. Vede eventuais prensa-cabos vazios com tampões fictícios. O ventilador K-EC tem de ser instalado com a caixa de ligação na parte de cima da unidade ± 90 graus. Se a instalação permanente for realizada utilizando cabos com diâmetro de 12-14 mm, o bucim elétrico tem de ser substituído (aplica-se aos tipos K-EC). Monte o ventilador no sentido do fluxo de ar (ver seta na unidade). O ventilador tem que ser instalado de modo a que a vibração não seja transmitida através de sistemas de conduta ou da estrutura do edifício. (Estão disponíveis acessórios compatíveis tais como braçadeiras rápidas e difusores). Certifique-se de que o conjunto do ventilador está bem firme e estável. O ventilador pode ser montado em qualquer sentido salvo se indicado em contrário. Os ventiladores têm de ser montados de modo a que a assistência e a manutenção possam ser executadas facilmente e em segurança. O ruído perturbador pode ser

evitado instalando silenciadores (acessório disponível).

Os ventiladores destinam-se a utilização contínua dentro do intervalo de temperaturas indicado.

Para os ventiladores que são reiniciados cortando-se a corrente, deve-se ter essa situação em conta ao conectar-se equipamento circundante com uma função de ligar/desligar automático.

Os motores EC têm uma corrente de fuga para a terra correspondente a $< = 3,5$ mA. Tal deve ser considerado quando o ventilador está conectado juntamente com um disjuntor de falha de terra.

Potenciómetro integral

O potenciómetro integral está predefinido de fábrica (**Fig. 1-15**). Este valor pode ser alterado manualmente para se obter um rpm do motor/desempenho do ventilador diferente. Os gráficos de desempenho do ventilador para este efeito são apresentados na tabela por incrementos de tensão na página 11-25 (**Fig. 1-15**) à direita dos símbolos de pot. Um potenciómetro externo pode ser conectado, se necessário. Se for esse o caso, o potenciómetro interno precisa ser desconectado dos terminais de ligação.

Saída do tacómetro

Terminal N.º 1 em diagramas de cablagem (cabo de sinal branco) permite a conexão de um contador de rpm (um impulso por rotação), controlador, alarme ou um visor de velocidade. O Tacómetro com um sinal no máximo 10mA.

Funcionamento

Antes do funcionamento inicial, verifique o seguinte:

- A ligação elétrica ficou bem-feita.
 - O condutor de proteção foi ligado.
 - Os dispositivos de segurança estão montados (grelha de proteção)
 - Os restos de materiais de instalação e as matérias estranhas foram retirados do compartimento.
- Quando colocar em funcionamento, verifique o seguinte:

- Os dados de ligação correspondem às especificações na chapa sinalética: Tensão máxima +6%, -10%, de acordo com a norma IEC 38. A corrente nominal não pode ser excedida com mais de 5% à tensão nominal.
- Suavidade do funcionamento do motor (sem ruídos anormais).
- Os ventiladores só podem ser operados por uma pessoa com conhecimentos adequados ou formação neste campo ou realizado com a

supervisão de uma pessoa devidamente qualificada.

Manutenção, assistência e reparação

Antes da manutenção, assistência ou reparação, certifique-se de que:

- A alimentação elétrica está interrompida (disjuntor omnipolar).
- O rotor do ventilador parou completamente.
- Cumpre os regulamentos de segurança para o pessoal!

O ventilador deve ser limpo quando for necessário, pelo menos 1/ano para evitar desequilíbrio e danos desnecessários nos rolamentos. Um filtro melhorará o intervalo de tempo entre limpezas do ventilador. (Por vezes recomenda-se a instalação de um resguardo para o filtro.) Os rolamentos do ventilador não necessitam de manutenção e só devem ser substituídos se estiverem danificados. Não utilize um produto de limpeza de alta pressão (jato de vapor) quando limpar o ventilador. Assegure-se de que os contrapesos do rotor do ventilador não foram retirados ou de que o rotor do ventilador não apresenta distorção. Tente perceber se há algum ruído estranho durante o funcionamento.

No caso de o ventilador ter parado, aplica-se o seguinte:

- Tente reiniciar o ventilador cortando a energia durante alguns minutos.
- Certifique-se de que o rotor não está bloqueado. A possível obstrução deve ser removida após a corrente ter sido desligada. Verifique se o ventilador inicia depois de voltar a ligar a corrente. Caso o ventilador não inicie, agradecemos que contacte o local de compra.

Eliminação e reciclagem



Os produtos residenciais com este símbolo na placa de identificação estão em conformidade com a Diretiva REEE. Ao eliminar a unidade, respeite as regras e regulamentos locais.

Estes materiais de embalagem do produto são recicláveis e podem ser reutilizados. Não

eliminar no lixo doméstico.

Para componentes rotulados como, por exemplo, ventiladores, as instruções de desmontagem podem ser encontradas na página inicial do fabricante do componente.

الجهة المصنعة

Systemair Sverige AB
Industrivägen 3
SE-73930 Skinnskatteberg SWEDEN
المكتب: +46 222 440 00 الفاكس: +46 222 440 99
www.systemair.com



تؤكد بموجب هذه الوثيقة أن المنتجات التالية بما فيها إصدارات **Sileo**:

مراوح أنبوبية مزودة بوصلة دائرية: K 100-315L EC و KVK Slim 100-160 EC و prio 500EC-450
KV DUO 150-5 EC و KD 315-400 EC
مراوح أنبوبية مزودة بوصلة مستطيلة: RS 30-15-100-50 EC و RSI 60-35-100-50 EC
مراوح أنبوبية معزولة مزودة بوصلة دائرية: KVK Silent 125-160 EC
مراوح أسقف مزودة بوصلة دائرية أو مربعة: TFSR /TFSK 160-200 EC
مراوح حرارية: KBT 160-250 EC

(ينطبق الإعلان فقط على المنتج في حالته التي تم توصيله بها إلى المنشأة وتم تركيبه فيها وفقاً لتعليمات التركيب المرفقة. لا يغطي الضمان المكونات التي تتم إضافتها أو الإجراءات التي يتم اتخاذها فيما يخص الجهاز فيما بعد)

تمثل لجميع المتطلبات المطبقة في التوجيهات التالية

<ul style="list-style-type: none"> • توجيه التصميم الصديق للبيئة 2009/125/EC 	<ul style="list-style-type: none"> • توجيه الأجهزة الخاص بالمفوضية الأوروبية 2006/42/EC • توجيه الجهد الكهربائي المنخفض 2014/35/EU • توجيه التوافق المغناطيسي 2014/30/EU • توجيه الحد من المواد الخطرة RoHS 2011/65/EU (وحدات الاستخدام المنزلي)
<ul style="list-style-type: none"> 327/2011 المتطلبات الخاصة بالمرآح التي تزيد قدرتها عن 125 واط 1253/2014 المتطلبات الخاصة بوحدات التهوية التي تزيد قدرتها عن 30 واط 1254/2014 المتطلبات الخاصة بتصنيف استهلاك الطاقة لوحدات التهوية الخاصة بالأماكن السكنية 	

تسري المعايير المنسقة التالية على الأجزاء التي ينطبق عليها الأمر:

سلامة الأجهزة-المبادئ العامة للتصميم-تقييم الخطر وتقليل الخطر سلامة الأجهزة - مسافات الأمان لمنع وصول الأطراف العليا أو السفلى إلى مناطق الخطر الأجهزة المنزلية والأجهزة الكهربائية المماثلة - السلامة الجزء الأول: المتطلبات العامة الأجهزة المنزلية والأجهزة الكهربائية المماثلة - السلامة الجزء 2-80: المتطلبات الخاصة بالمرآح طرق القياس الخاصة بالمجالات الكهرومغناطيسية للأجهزة المنزلية والأجهزة المماثلة فيما يتعلق بنسبة تعرض الإنسان لها سلامة الأجهزة المنزلية والأجهزة الكهربائية المماثلة - القواعد المخصصة للاختبارات الروتينية التي تتعلق بالأجهزة في إطار كل من المعيارين EN 60967 و EN 60 335-1 درجات الحماية التي توفرها الحاوية (رمز IP). سلامة الأجهزة-المعدات الكهربائية للأجهزة-الجزء الأول: المتطلبات العامة وحدات التحكم الكهربائية الآلية الخاصة بالاستخدام المنزلي والاستخدام المماثل-الجزء الأول: المتطلبات العامة التوافق الكهرومغناطيسي-(EMC) - الجزء 2-6, المعايير العامة-المناعة الخاصة بالبيئات الصناعية التوافق الكهرومغناطيسي-(EMC) - الجزء 3-6, المعايير العامة-معايير الانبعاثات الخاصة بالبيئات السكنية والتجارية والصناعية الخفيفة	EN ISO 12100:2010 EN 13857 IEC 60 335-1 EN 60 335-2-80 EN 62233 EN 50 106:2007 EN 60529 EN 60 204-1 EN 60730-1 EN 61000-6-2 EN 61000-6-3
--	--

17-08-2018 Skinnskattberg



Mats Sándor
المدير الفني

معلومات الأمان

التركيب

يجب ألا يتم تشغيل هذا الجهاز قبل قراءة تعليمات التركيب ومعلومات الأمان.

إن الغرض من جميع المراوح هو نقل الهواء داخل أنظمة التعامل مع الهواء. في حالة التركيب في الغرف التي لا تتم تدفئتها، يجب عزل هيكل المروحة لتجنب حدوث التكثف. لقد تم تصميمها لكي تستخدم بمجرد دمجها في الأجهزة أو تزويدها بالأنابيب لكي يتم استخدامها في الأجهزة أو أنظمة الأنابيب أو بعد تركيب شبكة الحماية من التلامس. (EN ISO 13857).

يجب أن يتم توصيل المراوح التي تحتوي على وصلات أنبوبية بالأنابيب من كلا الجانبين (المدخل/المخرج). يجب ألا يكون من الممكن الوصول إلى أي أجزاء متحركة بعد التركيب. المراوح غير مخصصة للاستخدام في البيئات الخطرة أو التوصيل بالأنابيب المدخن. يجب عدم تركيب المراوح في الأماكن المفتوحة (ما عدا EC، TFSR/TFSK EC). ينبغي ألا يتم فك ملحقات الأمان (أي شبكة الأمان) أو تركيبها بطريقة مختصرة أو فصلها.

مراوح السطح و KBT EC مخصصة فقط لاستخدامات استخلاص الهواء.

هذا الجهاز غير مخصص ليتم استخدامه من قبل الأشخاص (بما في ذلك الأطفال) الذين لديهم قصور في القدرات البدنية أو الحسية أو العقلية أو نقص في الخبرة والمعرفة، إلا في حالة خضوعهم للإشراف أو توجيه الخاص باستخدام الجهاز من قبل شخص مسؤول عن سلامتهم.

يجب اتخاذ الاحتياطات اللازمة لمنع التدفق العكسي لغازات العادم من المداخل من الأجهزة الأخرى المثبتة في نفس الغرفة، والتي يتم إطلاقها بواسطة الغاز أو أنواع الوقود الأخرى.

يجب توصيل الجهاز بلقطة الدائرة الرئيسي في تركيب ثابت.

تحذير: قبل القيام بأعمال الخدمة أو الصيانة، قم بفصل الطاقة (بواسطة قاطع الدائرة لجميع الأقطاب)، وتأكد من توقف الدافعة. تحذير: قد تكون للمراوح أطراف وحواف حادة مما قد يسبب الإصابات. تحذير: كن حذرًا أثناء فتح أغطية فتحات الصيانة الخاصة بالمراوح، حيث إن المروحة والمحرك المركبين فوق هذه الأغطية ثقيلان نسبيًا (ينطبق ذلك الأمر على KVKE و KVO).

لمحرك المروحة حماية مدمجة إذا كان الجزء الدوار مغلقًا، مما يضمن أن يحاول المحرك إعادة التشغيل خلال فترة زمنية مبرمجة مسبقًا عندما يستشعر أن الجزء الدوار في حالة توقف. عند إزالة الانسداد ستبدأ المروحة العمل من تلقاء نفسها دون أي إجراءات إضافية. عند ارتفاع درجة حرارة المحرك إلى درجات حرارة عالية سيتم فصل التيار عن المحرك. حينئذ يمكن فقط إعادة تشغيل المحرك عن طريق فصل مصدر الطاقة الرئيسي للمروحة لعدة دقائق.

النقل والتخزين

يتم تغليف جميع المراوح في المصنع بحيث تتحمل ظروف التعامل العادية الخاصة بالنقل. عند التعامل مع البضائع، استخدم معدات الرفع المناسبة لكي تتجنب إحداث تلف بالمروحة أو أضرار للعاملين. لا ترفع المراوح من الكابلات الموصل، أو صندوق الوصلات، أو الدافعة أو مخروط الإدخال. تجنب حدوث الضربات الشديدة أو أحمال الصدمات. قم بتخزين المراوح في مكان جاف محمي من الظروف الجوية والغبار حتى يتم تركيبها بشكل نهائي. درجات الحرارة المسموح بها للتخزين +80...-40 درجة مئوية.

راجع معلومات السلامة المذكورة أدناه. ينبغي إجراء عمليات التركيب والتوصيل الكهربائي والتفويض بواسطة العاملين المصرح لهم فقط ووفقًا للمتطلبات والإرشادات. قم بتوصيل الوصلات الكهربائية وفقًا لمخططات التوصيل الموجودة في صندوق الوصلات الطرفية والعلامات الموجودة على مجمعات الوصلات الطرفية أو على الكابل. أغلق أي فتحات توصيل فارغة خاصة بالكابلات بواسطة المقابس الصورية. يجب أن يتم توصيل مروحة K-EC مع وجود صندوق الوصلات أعلى الوحدة بزوايا ± 90 درجة. في حالة تنفيذ التركيب الدائم باستخدام كابلات ذات قطر 12-14 مم، يجب استبدال فتحات التوصيل الكهربائية (ينطبق ذلك على النوع K-EC). قم بتركيب المروحة في اتجاه تدفق الهواء (انظر السهم الموجود على الوحدة). يجب أن يتم تركيب الوحدة بحيث لا يتم نقل الاهتزازات من خلال أنظمة الأنابيب أو هيكل المبنى. (تتوفر الملحقات المناسبة مثل المشابك سريعة التركيب و وحدات نشر الهواء). تأكد من أن تركيب المروحة ثابت ومستقر. يمكن تركيب المروحة في أي اتجاه ما لم يذكر غير ذلك. يجب أن يتم تركيب المراوح بحيث يمكن إجراء أعمال الخدمة والصيانة بسهولة وأمان. يمكن تجنب صدور الضوضاء المزعجة عن طريق تركيب كرات الصوت (إحدى الملحقات المتوفرة).

إن المراوح مخصصة للاستخدام المستمر في إطار نطاق درجات الحرارة المذكور.

بالنسبة للمراوح التي تتم إعادة ضبطها عن طريق فصل التيار، يجب توخي الحذر عند توصيل معدات محيطية مزودة بخاصية التشغيل/الإيقاف الآلي.

لمحركات عكس التيار الكهربائي إلكترونيًا تسريب تيار للأرض مناظر لـ $3.5 > \text{ميلي أمبير}$. يلزم مراعاة ذلك الأمر حينما تم توصيل المروحة في وجود قاطع دائرة التاريز في حالة التلف.

مقياس فرق الجهد المتكامل

يتم إعداد مقياس فرق الجهد المتكامل مسبقًا في المصنع (الشكل 1-15). يمكن تغيير هذه القيمة يدويًا للحصول على عدد مختلف من دورات المحرك في الدقيقة/أداء مختلف للمروحة. فيما يتعلق بهذا الغرض، قد تم توضيح رسوم أداء المروحة في الجدول بواسطة خطوط الجهد الكهربائي في صفحة 11-25 (الشكل 1-15) على الجهة اليمنى من رموز الجهد الكهربائي. يمكن توصيل مقياس جهد كهربائي خارجي إذا لزم الأمر. وفي هذه الحالة يلزم فصل مقياس الجهد الكهربائي الداخلي من أطراف التوصيل.

مخرج مقياس سرعة الدوران

يمكن الطرف رقم 1 في الرسوم التخطيطية لتوصيل الأسلاك (كابل الإرسال الأبيض) من توصيل عداد الدورات في الدقيقة (نبضة واحدة لكل دورة) أو وحدة تحكم أو إنذار أو شاشة عرض السرعة. لمقياس سرعة الدوران إشارة قدرها 10 ميلي أمبير بحد أقصى.

التشغيل

قبل التشغيل الأولي، تحقق من التالي:

- إكمال التوصيل الكهربائي بشكل صحيح.
- توصيل الموصل الوافي
- وجود أجهزة السلامة في مكانها (شبكة الحماية)
- إزالة الأجزاء الخاصة بالتركيب والمواد الغريبة من الهيكل.

عند بدء التشغيل، تحقق من التالي:

- توافق معلومات التوصيل مع الخصائص الموجودة على لوحة البيانات: الحد الأقصى من الجهد الكهربائي +6%، -10% وفقًا للمعيار IEC 38.
- يجب ألا يتم تجاوز التيار المقنن بأكثر من 5% من قيمته عند الجهد الكهربائي المقنن.
- سلامة تشغيل المحرك، (لا توجد ضوضاء غير طبيعية).
- يجب تشغيل المروحة فقط بواسطة أحد الأشخاص الذين يتمتعون بقدر مناسب من المعرفة أو التعليم ذي الصلة بهذا المجال أو يتم تحت إشراف أحد الأشخاص المؤهلين بشكل مناسب.

الصيانة والخدمة والإصلاح

قبل الصيانة أو الخدمة أو الإصلاح، تأكد من الآتي:

- فصل إمداد الطاقة (قاطع الدائرة لجميع الأقطاب).

- وصول الدافعة إلى مرحلة التوقف التام

- التزم بتوجيهات السلامة الشخصية!

يلزم تنظيف المروحة عند اللزوم، بما لا يقل عن مرة واحدة في العام لتجنب اختلال توازن المحامل أو وقوع التلف غير اللازم بها. سيقوم المرشح بزيادة الفترة الزمنية بين مرات تنظيف المروحة. (في بعض الأحيان يوصى بتركيب واقي للمرشح). لا تتم صيانة محامل المروحة وينبغي فقط استبدالها في حالة تلفها. لا تستخدم منظفًا عالي الضغط ("منظف نفاث للبخار") عند تنظيف المروحة. تأكد من عدم تحريك أوتار الاتزان الخاصة بدافعة المروحة أو انحراف دافعة المروحة. تحقق عن طريق السمع من عدم وجود أي ضوضاء غير طبيعية.

تنطبق الأمور الطبيعية في حالة توقف المروحة عن العمل:

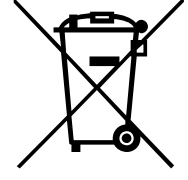
- حاول إعادة تشغيل المروحة عن طريق فصل الطاقة لمدة بضع دقائق.

- تأكد من أن الدافعة غير عالقة. ينبغي إزالة العوائق المحتملة بعد فصل

التيار. تحقق من بدء عمل المروحة بعد إعادة توصيل التيار. في حالة

عدم عمل المروحة يُرجى التواصل مع محل شرائك لها.

التخلص من المنتج وإعادة التدوير



تمتثل منتجات الاستخدام المنزلي التي تحمل هذا الرمز على لوحة الاسم للتوجيه المتعلق بنفايات المعدات الكهربائية والإلكترونية (WEEE). عند التخلص من الوحدة، اتبع القواعد واللوائح المحلية لديك.

إن مواد تغليف هذا المنتج قابلة لإعادة التدوير

ويمكن إعادة استخدامها لا تتخلص منه في النفايات المنزلية.

بالنسبة للمكونات التي تحمل ملصقات مثل المراوح على سبيل المثال، يمكن العثور على تعليمات التفكيك على الصفحة الرئيسية لجهة التصنيع الخاصة بالمكون.

Internal potentiometer=مقياس فرق الجهد الداخلي
 External potentiometer optional=مقياس فرق الجهد الخارجي اختياري
 External speed setting=إعداد السرعة الخارجي
 Yellow/green=أصفر/أخضر
 Blue=أزرق
 Black=أسود
 White=أبيض
 Brown=بني
 Red=أحمر
 Fig 1 (Figure)=الشكل 1 (الشكل)
 Type=النوع
 Screw=البرغي



Systemair Sverige AB
Industrivägen 3
739 30 Skinnskatteberg
Phone +46 222 440 00
Fax +46 222 440 99
www.systemair.com

206268 (17-08-2018) A022